

WADIE

*Floor gullies and
access covers*



Contents

Section

1	Introduction
2	Design considerations
3	Installation guidelines
4	Stainless steel gullies
4B	Body assemblies
4G	Gratings
	See also section 5; pages 5Bntss, 5Btss, 5Gss and 5Vss
5	Vari-Level
5A	Assemblies with typical installations
5B	Bodies
5C	Membrane clamping collars
5G	Gratings
5V	Access covers
5X	Accessories and adaptors
6	Direct connection
6G	Gratings
6V	Access covers
7	Uni-Level
	Gullies for asphalt/composition finished floors
8	Multi-Level
	Gullies for unfinished floors
9	Side inlets
10	Adaptors
11	Specialised applications
11L	Large gullies – hopper, trench and pit drains
11M	Non-spark gunmetal gullies for use in metal decks
11O	Overflow gully for use in decorative pools/water features
11P	Drainage of planting areas and roof gardens
11S	90° gully for use in shower areas etc.
11SF 1	Double-sealed access cover for man-entry
11SF 2-3	Gully assemblies for flexible sheet such a vinyl
11V	General purpose access covers
WP	Non-freeze water points
Appendix i	Materials care and maintenance
Appendix ii	Glossary
Code index	Spec. Code index
Wade	I.T. and Warranty

Introduction

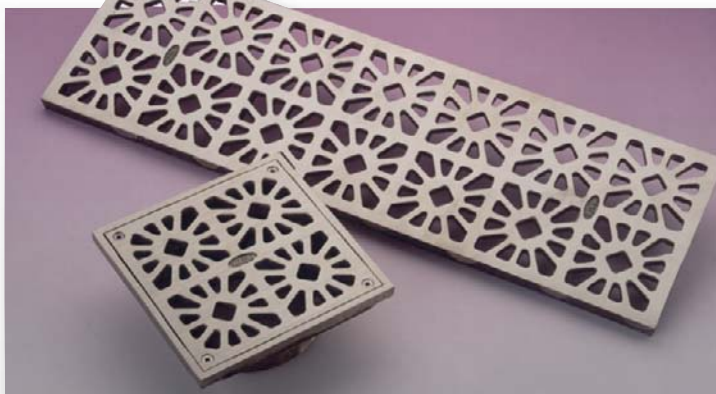
A UK company with more than fifty years' experience in the industry, Wade is established as a leading manufacturer of quality drainage products. Much of the success of the business is attributable to an on-going commitment to put technology to practical use, to generate fresh ideas, and to guarantee quality assured production.

This technical manual presents illustrations and data from a comprehensive range of products in which choices of material, size and style enable the specifier/user to select gullies that will meet his/her requirements.



Floral style gratings

Aesthetic yet practicable, equally suitable for inside or outside applications, nickel bronze complements a wide variety of floor finishes including terrazzo, stone paviers, marble and flexible sheet flooring.



Drainage of security areas

K29, K35 and K36 series are designed to deter unauthorised removal of gratings and unauthorised access to a gully.



Custom-made products

Products can be designed to suit particular applications. Please contact our Technical Services Department for details.



A.E.L.T.C.C. Wimbledon

Certification of compliance with BS EN ISO 9001 underlies our commitment to quality and service



Drainage in block paving

Cast nickel bronze is particularly suited to the mixed traffic conditions encountered in pedestrian areas such as at shopping centres.



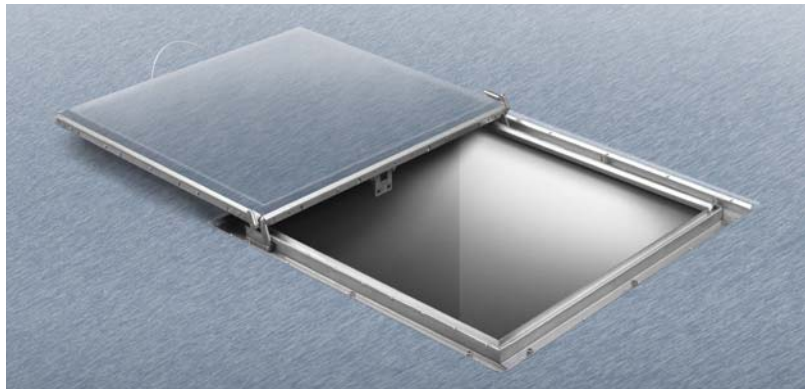
Drainage in a resin floor

K2107 gratings of stainless steel ensure watertight connections.



Drainage and service access in a kitchen with vinyl flooring

K2307 gratings of stainless steel and RS213 access cover of stainless steel ensure watertight connections.



Sliding access cover on a vinyl covered floor (patent pending).

Design considerations

Selection of gullies is usually the responsibility of the specifying engineer conversant with the floor construction, flooring finish, drainage system and the operations or functions designated for the particular building area. Some of the factors that should be considered when selecting gullies are given below.

Building regulations/standards

Local regulations must be complied with in matters concerning sanitary pipework and drainage.

A trapped gully may be used where a water seal is required to prevent foul air from entering a building; different versions are available – Bell, Bottle, 'P', 'Q', and 'S'. In other cases a non-trapped gully may be used with a trap installed in the drain line.

Load rating

It is essential that gullies withstand expected loads. This catalogue shows the load rating class for each grating, cover or gully assembly, based on BS EN 1253, as follows:

- K3** Areas without vehicular traffic, such as bathrooms, shower areas, retirement homes, hotels, schools, swimming baths, leisure centres, balconies, terraces and roof gardens.
- L15** Areas with light vehicular traffic such as cycleways and domestic drives.
- M125** Areas with vehicular traffic, such as car parks, factories and workshops – not including light commercial vehicles or heavy wheel loads.
- P400** Heavy duty applications including food processing areas or process plants, where gullies are subjected to forklift trucks and/or heavy vehicles are manoeuvring.

The load rating of certain gratings is also shown in N/mm². All such ratings are based on static loads.

Flow rate

Flow rate is the maximum amount of water (litres/sec) which a gully will drain, and is influenced by several factors: grating free area, sump capacity, body free area, design of the gully, outlet size, and features and accessories such as filter buckets and traps.

Experience shows that at low heads of water the flow rate of a gully is mainly governed by the grating free area; at heads of water above 50mm flow rate is governed by the body free area, or by the grating free area, whichever is smaller. This catalogue shows free area (cm²) for gratings and bodies.

Floor and flooring

The depth of the structural slab and available space will influence the selection of gullies, while the use of an extension may be necessary to bring the grating or cover up to finished floor level.

Installations with a damp-proof membrane will require the use of gullies with a membrane clamping collar.

Different kinds of floor finishes such as ceramic tiles, resin or sheet floor covering, such as vinyl, will influence the type of grating or cover to be used.

Pipework

The type and size of pipework in a given installation is fundamental to the selection of gullies. Wade gullies can be connected to all pipework in general use; certain bodies are for direct connection to pipework, others require the use of threaded pipework adaptors and/or couplings.

Appearance

Gullies with attractive gratings or covers made of nickel bronze or stainless steel are for use in finished floor areas where the gratings or covers contribute to the aesthetic appeal of the area.

Sherardized cast iron gratings whilst of pleasing appearance are best suited in unfinished floors in plant rooms etc. and also for restoration or refurbishment projects to match period architecture.

Accessories and variations

Standard optional items are readily available, such as filter buckets to intercept debris, internal backwater valves to prevent backflow, and side inlets and tapings to receive ancillary pipework.

Custom made products can be manufactured for non-standard applications.

Materials and finishes

Strength, corrosion resistance and appearance are important considerations when selecting gullies.

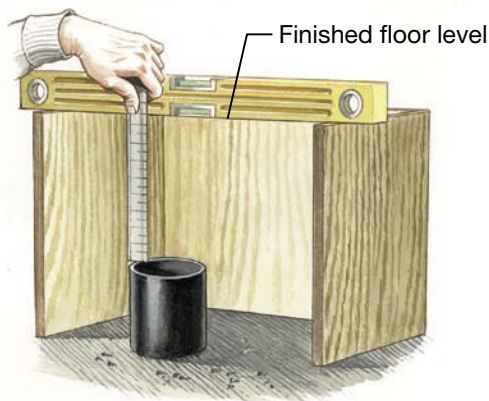
Information on materials and finish of Wade floor gullies is given in Appendix i.

Installation guidelines

General installation guidelines are provided for gully components in a tiled finished floor with a damp proof membrane. Page 3SF gives additional guidelines for installing gratings designed for use with flexible sheet flooring such as vinyl. See also wadeint.co.uk/installation



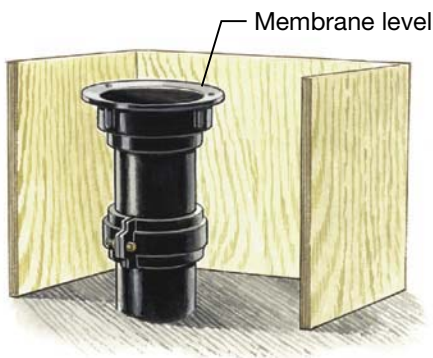
1. Where applicable, screw threaded pipework adaptor into the body outlet using a suitable sealant to ensure the joint is watertight.



2. Measure the distance between the top of the connecting pipework and finished floor level.
3. Check that this distance will enable the complete gully (with extensions, if applicable) to be installed with the top face of the grating or cover flush and level with the finished floor.

Note

Where a damp-proof membrane is used, the body must be installed with the top of the flange at or below membrane level.



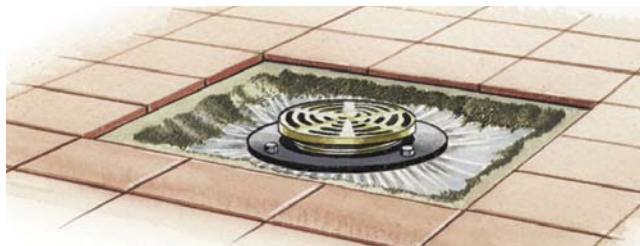
4. Connect body (with threaded pipework adaptor if applicable) to pipework.
5. Infill as required.



6. Where applicable, dress the membrane over the flange and into the sump of the body, ensuring that the membrane does not restrict the outlet; bolt the membrane clamping collar to the body – certain collars are reversible to increase height adjustability.

Note

In some cases the membrane clamping collar serves to connect the grating or cover to the body, so it must be fitted even where a membrane is not used. In installations without a below-floor membrane and/or using flexible sheet flooring such as vinyl, the membrane clamping collar should be sealed to the body using the supplied gasket and, where supplied, fibre washers beneath the screw heads.



7. Fit grating, cover, or funnel with extensions, frame or collar as applicable; set top face flush and level with the finished floor using height adjustability features. Use a suitable, good quality sealant on all threaded joints to ensure a watertight assembly.

All joints need to be sealed to ensure that leaks do not occur in the event of water backing up in the gully, e.g. if a downstream pipe blockage occurs. The exception is gully assemblies specified with weepholes, which are designed to provide supplementary drainage from above the membrane; these weepholes should not generally be sealed.



8. Infill or lay floor screed and apply final floor finish (e.g. tiles, marble, paviers, terrazzo) around the grating or cover.

Note

Installation of gratings and covers for use with flexible sheet flooring such as vinyl, is illustrated on page 3SF.

Installation guidelines

Gratings and access covers for use with flexible sheet flooring such as vinyl

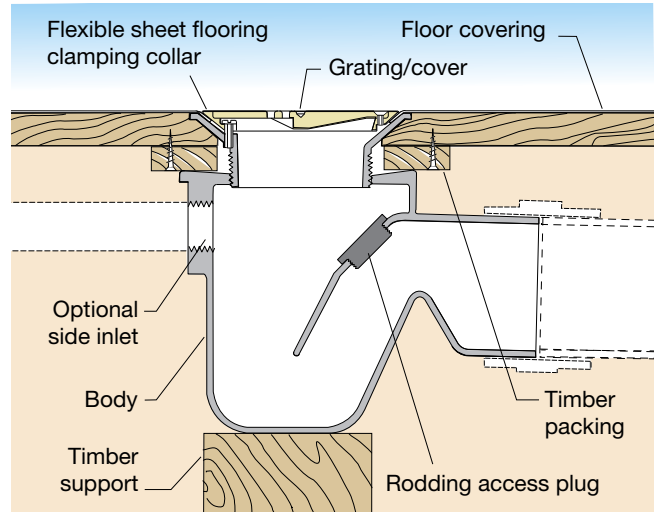
Worldwide demand for higher standards of hygiene and safety in buildings is reflected in the increasing use of modern slip-resistant flooring. In keeping with its position at the forefront in the design and manufacture of gullies, Wade has developed a range of superbly finished products specifically for use with flexible sheet flooring such as vinyl. Where a clamping collar is fitted a watertight seal is obtained, yet gratings and covers are removable for access to pipework without disturbing the flooring material. See also wadeint.co.uk/installation

G202

Cast iron body with K2302 nickel bronze grating.



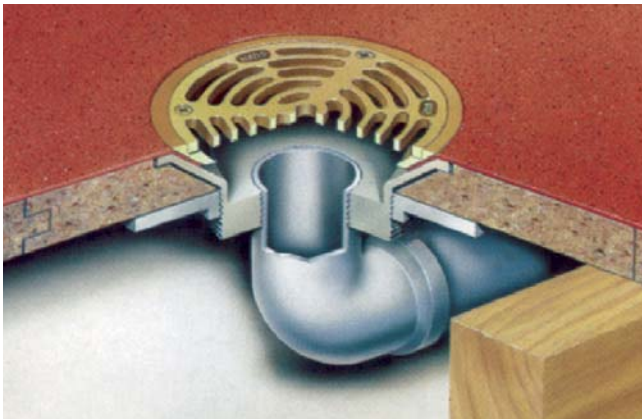
Typical installation in a wooden floor.



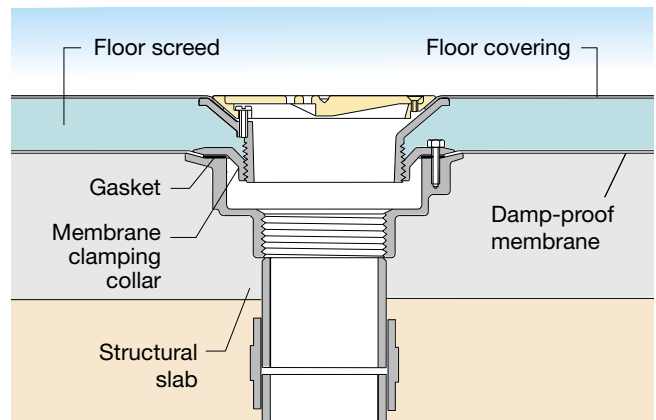
N213

Nickel bronze grating, with cast iron backnut, connected directly to 40mm plastic pipework.

Watertight drainage in a vinyl covered timber floor.



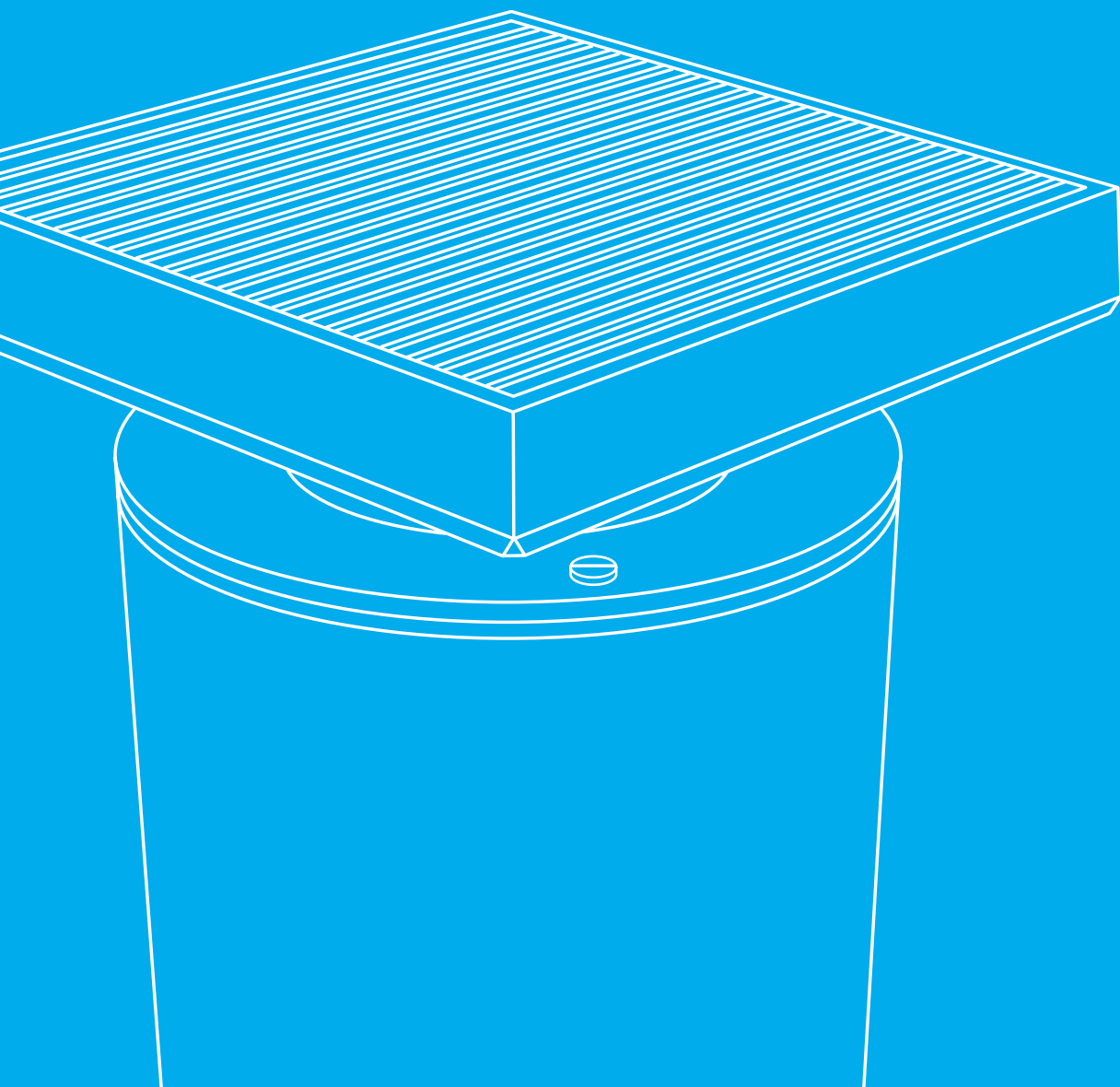
Typical installation with damp-proof membrane.



To achieve a watertight joint, installation must be in accordance with instructions which accompany the gratings/covers.



Stainless steel gullies



4

Stainless steel gullies

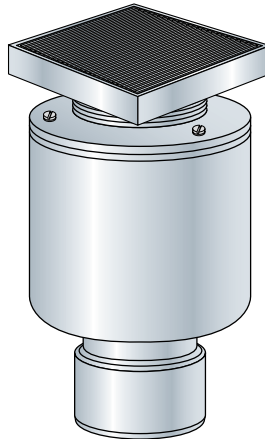
A range of stainless steel gully assemblies is available for use, particularly in areas associated with food production, processing or preparation where corrosion resistance or minimum maintenance is a requirement.

Assemblies and typical installations

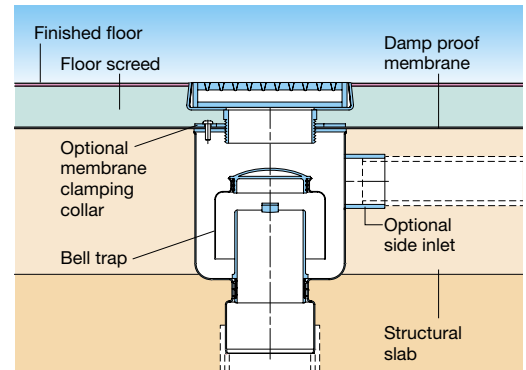
Trapped gullies, 200mm square at FFL

Select gully body assemblies from page 4B1, and 192mm square gratings from page 4G

Q2434 height adjustable gully body assembly with optional membrane clamping collar (option 'C') and **Q9233** Streamline grating.



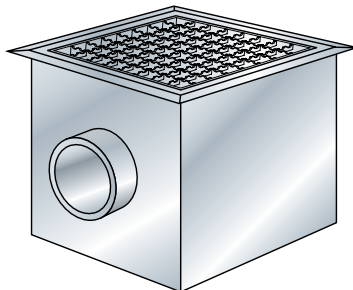
Typical installation



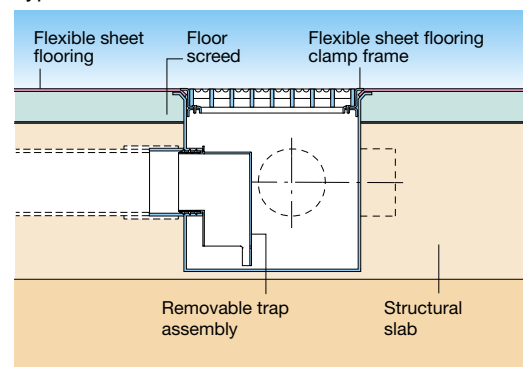
Trapped gullies, *300mm square at FFL

Select gully body assemblies from page 4B2, and 293mm square gratings from page 4G

Q1234 gully body assembly with optional flexible sheet flooring clamp (option 'V') and **Q4332** anti-slip mesh grating.



Typical installation



Features

Stainless steel body assemblies are shown on pages 4B1 and 4B2; gratings are on page 4G.

Trapped – all Wade stainless steel body assemblies are trapped. Some versions can be supplied as non-trapped by specifying option 'N'.

Full-bore rodding access is provided on all body assemblies except Q2334 (38mm) and Q2434 (90mm).

Side inlets (optional) are fully trapped.

Filter buckets (optional) to intercept debris.

Choice of gratings including perforated, anti-slip mesh, plain mesh, bar and Streamline.

Notes

- *1. Optional flexible sheet flooring clamp increases size of gully body, so **Q1234V** illustrated on this page is 325mm square (visible dimension at F.F.L.).
2. Optional flexible sheet flooring clamp is also available on 200mm square gully body assemblies, increasing their visible dimension at F.F.L. to 225mm.

Stainless steel body assemblies – 200mm sq.

Stainless steel grade 304, trapped – 60mm seal

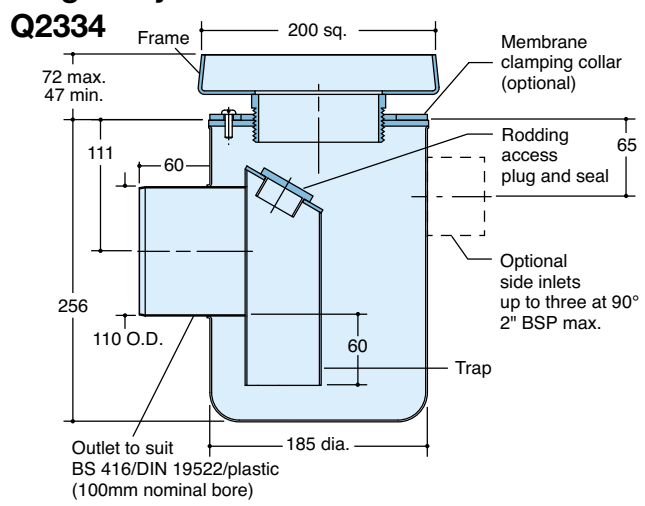
For use in high specification applications including food preparation, showers and areas where high corrosion resistance is a requirement. In applications such as swimming pools or having an aggressive atmosphere, grade 316 is recommended and is available on request.

Connections

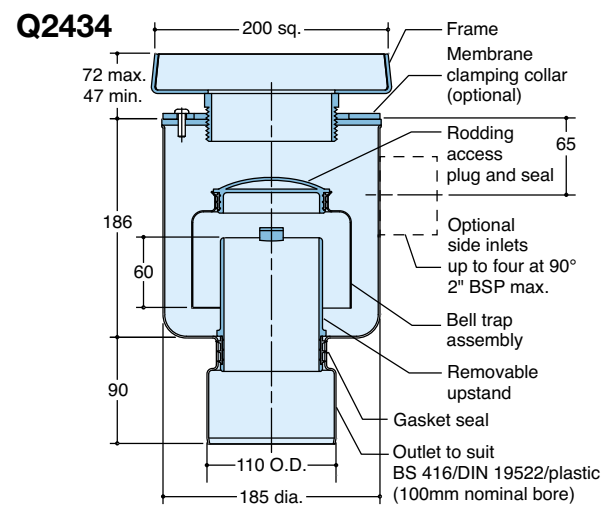
For use with 192mm square stainless steel gratings shown on page 4G.

Bodies are for direct connection to cast iron BS 416/DIN 19522 and PVC pipework; they can be connected to other pipework systems by means of adaptors shown in Section 10.

Height adjustable – with a fine thread

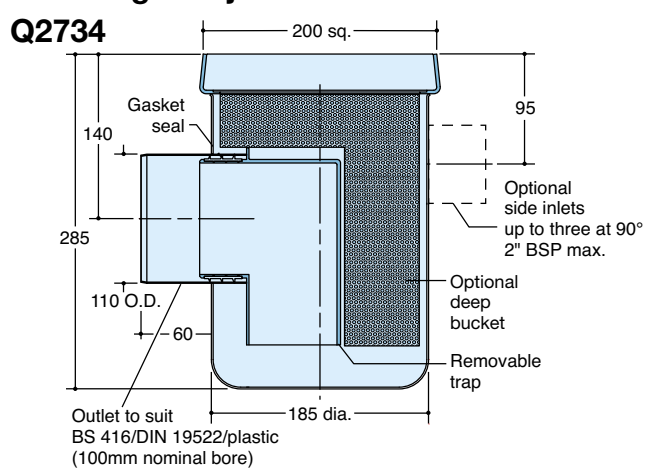


Gratings – Select from page 4G, 192mm square (not Q7235).
Options – A B C I M W V

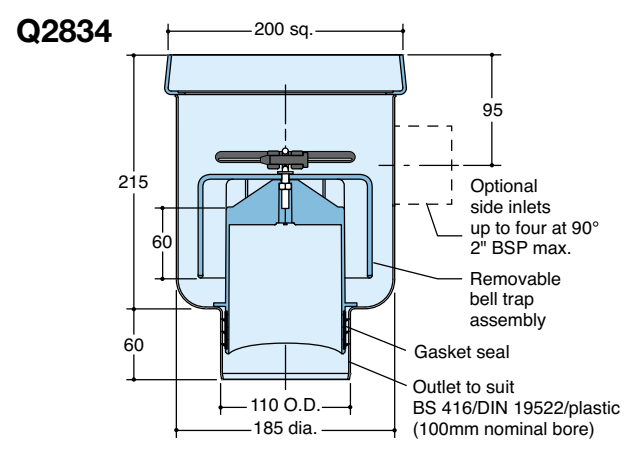


Gratings – Select from page 4G, 192mm square (not Q7235).
Options – A B C I M W V

Non-height adjustable



Gratings – Select from page 4G, 192mm square.
Options – B I M V



Gratings – Select from page 4G, 192mm square.
Options – B I M N V

Spec. Code	Outlet size mm	Free area cm ²	Trap type	kg
Q2334	100	60	P	4.9
Q2434	100	51	Bell	4.2
Q2734	100	70	P	3.9
Q2834	100	65	Bell	3.8

To specify/order

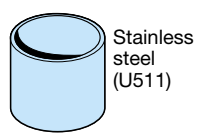
Quote the Spec. Codes for the selected body assembly, body option suffix and grating. Gratings are illustrated on page 4G.

Note

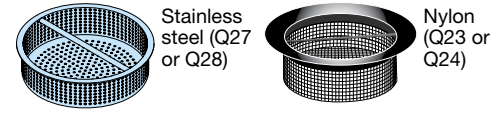
See pages 5Bntss, 5Btss, 5Gss and 5Vss for Vari-Level stainless steel gullies. Pages 6Gss and 6Vss show direct connection gratings and access covers of stainless steel.

Options/Features

Bolt-on funnel



Filter bucket (Standard depth add suffix 'B' Deep bucket (Q27 only), add suffix 'BD')



Asphalt flange – suffix 'A' (factory fitted)

Membrane clamping collar – suffix 'C' (factory fitted)

Side inlets – suffix 'I' maximum 2" BSP (select from section 9)

Grade 316 – suffix 'M'

Non-trapped body – suffix 'N' (Q2834 only)

Weepholes – suffix 'W' (Q23 and Q24 only), to provide supplementary drainage at membrane level

For use with flexible sheet flooring up to 3.5mm – suffix 'V'
Note FFL size of flexible sheet flooring clamp frame is 225mm square; overall height increase is 18mm (height adjustable) or 23mm (non-height adjustable).

Stainless steel body assemblies – 300mm sq.

Stainless steel grade 304, trapped – 60mm seal

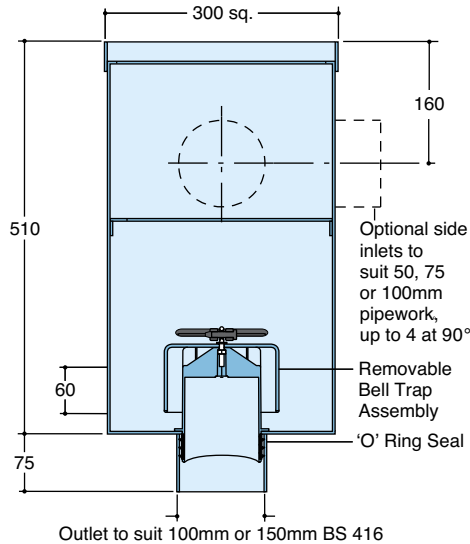
For use in high specification applications including food preparation, showers and areas where high corrosion resistance is a requirement. In applications such as swimming pools or having an aggressive atmosphere, grade 316 is recommended and is available on request.

Connections

For use with 293mm square stainless steel gratings shown on page 4G.

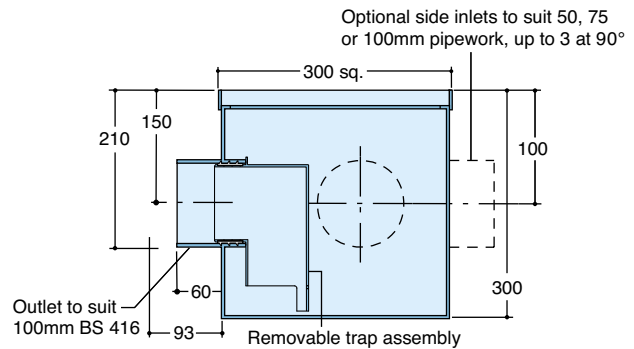
Bodies are for direct connection to cast iron BS 416/DIN 19522 and PVC pipework; they can be connected to other pipework systems by means of adaptors shown in Section 10.

Q10 Series bell trapped



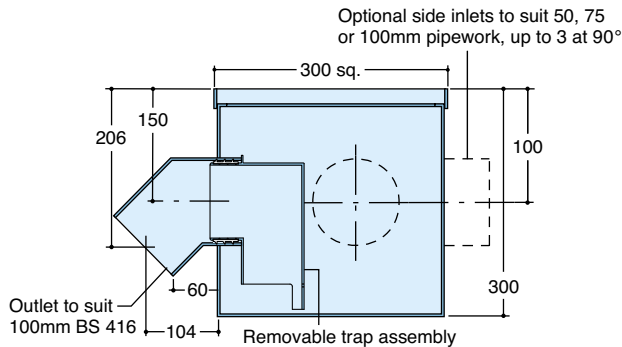
Gratings – Select from page 4G, 293mm square.
Options – B I M N V

Q1234 'P' trapped



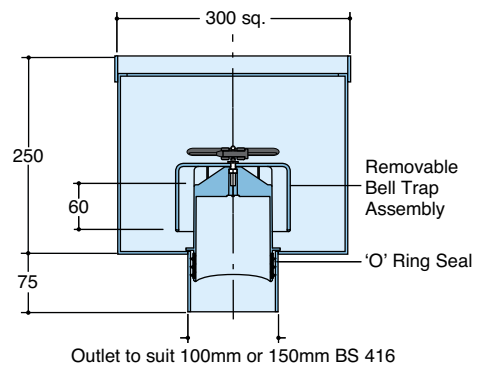
Gratings – Select from page 4G, 293mm square.
Options – B I M V

Q1334 'Q' trapped



Gratings – Select from page 4G, 293mm square.
Options – B I M V

Q14 Series bell trapped



Gratings – Select from page 4G, 293mm square.
Options – B I M N V

Spec. Code	Outlet size mm	Free area cm ²	Trap type	kg
Q1034	100	53	Bell	16
Q1036	150	176	Bell	16
Q1234	100	78	P	8
Q1334	100	78	Q	8
Q1434	100	53	Bell	6.5
Q1436	150	176	Bell	6.2

To specify/order

Quote the Spec. Codes for the selected body assembly, body option suffix and grating. Gratings are illustrated on page 4G.

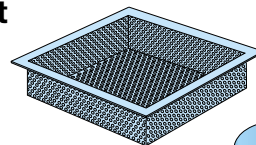
Note

See pages 5Bntss, 5Btss, 5Gss and 5Vss for Vari-Level stainless steel gullies. Pages 6Gss and 6Vss show direct connection gratings and access covers of stainless steel.

Options/Features

Filter bucket

Stainless steel
 (Suffix 'B')



Bolt-on funnel
 (U511)



Removable bell trap assembly
 (U1704)



Side inlets – suffix 'I' maximum 100mm (select from section 9)

Grade 316 – suffix 'M'

Non-trapped body assembly – suffix 'N'

For use with flexible sheet flooring up to 3.5mm – suffix 'V'

Note FFL size of flexible sheet flooring clamp frame is 325mm square

Stainless steel gratings

Stainless steel grade 304, satin finish

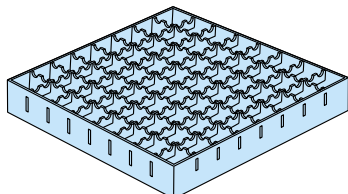
For use in high specification applications including food preparation, showers and areas where high corrosion resistance is a requirement. In applications such as swimming pools or having an aggressive atmosphere, grade 316 is recommended and is available on request.

Connections

For use with stainless steel body assemblies shown in section 4B.

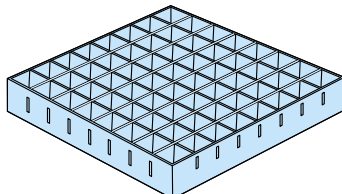
Q42, Q43 series

Anti-slip mesh. Double notched bars make this grating suited for wet or greasy floors



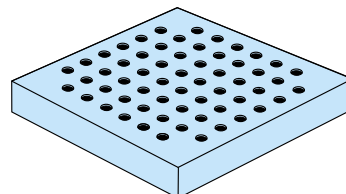
Q52, Q53 series

Plain mesh. Established design with good loading characteristics and generous free area



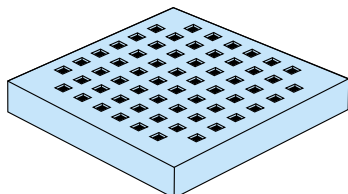
Q6230

Smooth perforated (circular apertures). Suited for bathrooms, shower areas etc.



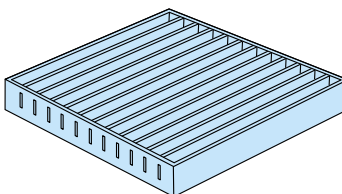
Q6430

Smooth perforated (square apertures). Suited for bathrooms, shower areas etc.



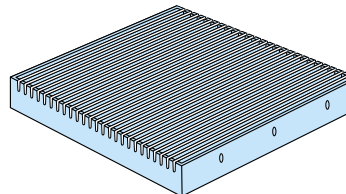
Q72, Q73 series

Bar grating



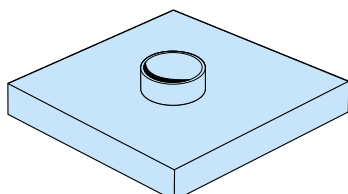
Q92, Q93 series

Streamline. Heel-proof reverse wedge profile. Also suited for barefoot zones



U5232

192 square stainless steel Q series gully funnel.



192mm square

To fit 200mm square body assemblies shown on page 4B1

Spec. Code	Length mm	Width mm	Depth mm	Max aperture width mm	Free area cm ²	Load rating class	kg
Q4232	192	192	30	23x23	290	L15	1.2
Q5232	192	192	30	23x23	290	L15	1.3
Q6230	192	192	30	8 dia.	61	K3	1.1
Q6430	192	192	30	8x8	77	K3	1.1
Q7235*	192	192	30	10	209	M125	3.5
Q9233	192	192	30	5	216	L15	1.2
U5232	192	192	30	55 dia.	95	K3	0.8

*Q7235 is for use with Q2734 and Q2834 gullies only.

293mm square

To fit 300mm square body assemblies shown on page 4B2

Spec. Code	Length mm	Width mm	Depth mm	Max aperture width mm	Free area cm ²	Load rating class	kg
Q4332	293	293	30	23x23	670	L15	2.5
Q5332	293	293	30	23x23	670	L15	2.8
Q7335	293	293	30	10	550	M125	7.3
Q9333	293	293	30	5	405	L15	2.5

Note

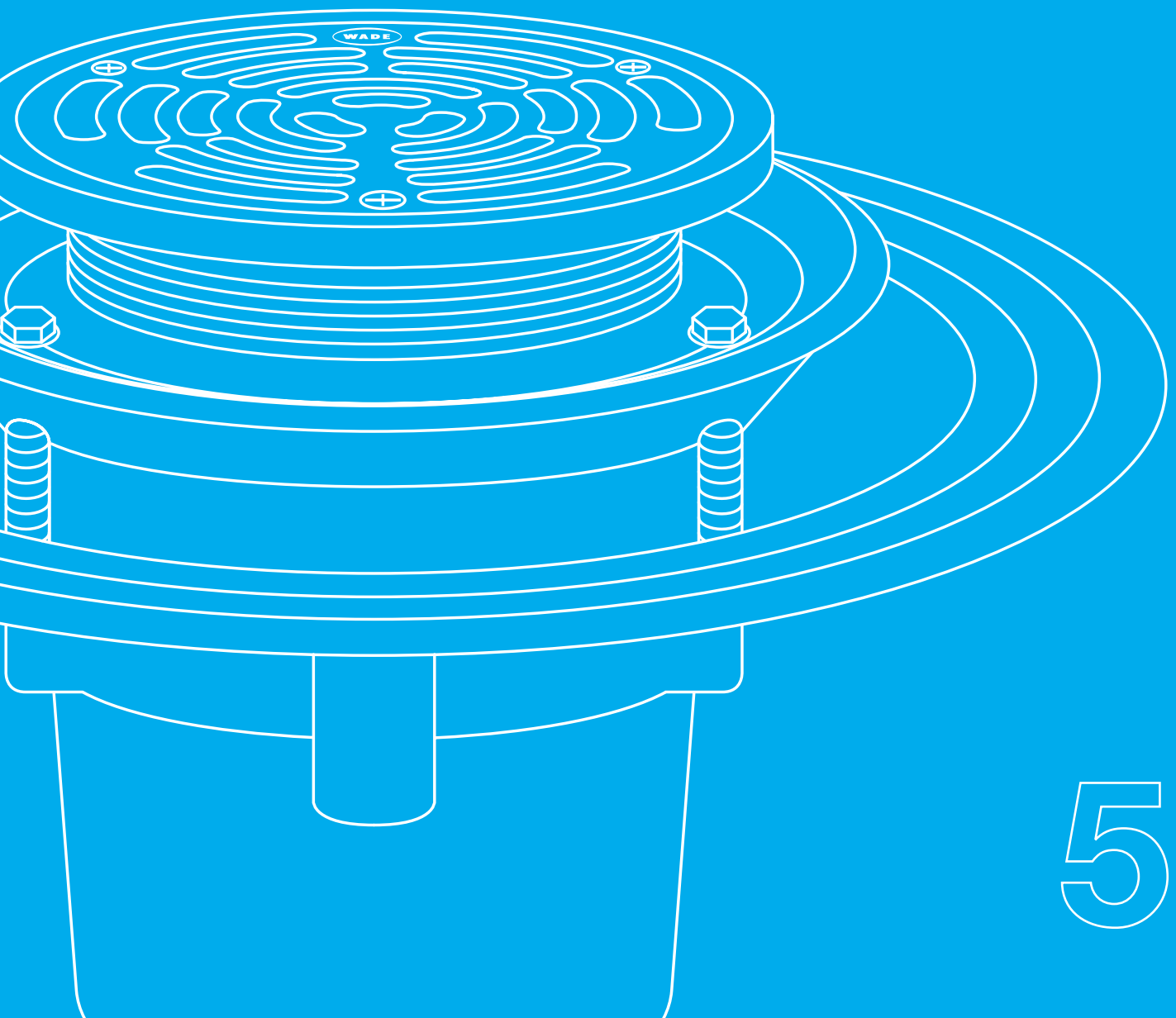
Please ensure that size of the selected style of grating matches the selected body assembly.

See pages 5Bntss, 5Btss, 5Gss and 5Vss for Vari-Level stainless steel gullies.

Options

M – Made of grade 316 stainless steel.

Vari-Level



5


Vari-Level

The term **Vari-Level** refers to the fine adjustability of the height of a grating or access cover above a body; this feature enables installation exactly at finished floor level by rotating the grating or access cover.

A Vari-Level gully comprises, as a minimum, a **Vari-Level body** and a **Vari-Level grating**; in some versions these items fit together directly, but, mostly, connection is by means of an inter-connecting, dual-purpose part – a membrane clamping collar.

To address a myriad of applications, different versions of Vari-Level bodies are available for use with a wide range of Vari-Level gratings, Vari-Level access covers and Vari-Level accessories, as illustrated in this section.

Representation of a Vari-Level gully assembly with accessories and threaded pipework adaptor



		Catalogue page	
Funnel (bolt-on)	Accepts indirect discharge from waste pipes (optional)	5X	
Grating or access cover	Cast iron Nickel bronze Stainless steel	Gratings	Access covers
		5G ci	5V ci
		5G nb	5V nb
		5G ss	5V ss
Extension	Provides additional height for gratings and access covers (optional)	5X	
Membrane clamping collar (with gasket)	Also serves to connect the grating or access cover to the body on most series; optional facility on others	5C	
Body	Non-trapped, cast iron For use with bituminous membrane For use with cavity membrane Non-trapped, stainless steel Trapped, stainless steel Trapped, cast iron Trapped, plastic	5B ntc 5B ntcibm 5B ntcis 5B ntss 5B tss 5B tci 5B tp	
Threaded pipework adaptor	Enables effective connection to all sizes and types of pipework in general use	10	

Vari-Level

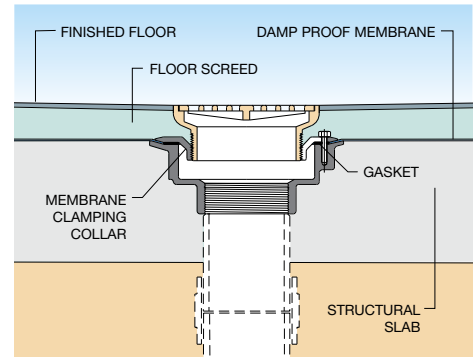
Assemblies and typical installations

These typical installation drawings serve to illustrate the general principle of how such assemblies are used. These are not intended to imply that they must be used in this way. There are many variations of floor build up and it is for the end user to determine suitability of a drain assembly in a particular application.

Cast iron Non-trapped bodies

(See pages 5B ntc1 for product information)

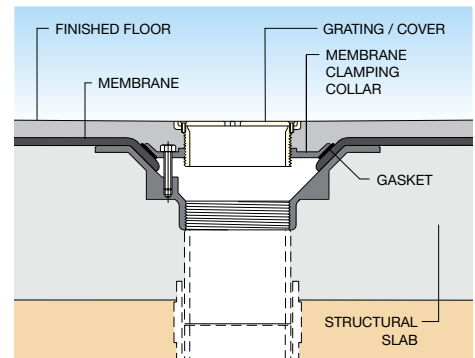
C504 body with **C.C** membrane clamping collar and **L2103** nickel bronze grating



Cast iron Non-trapped bodies – for use with bituminous membrane

(See page 5B ntc1bm for product information)

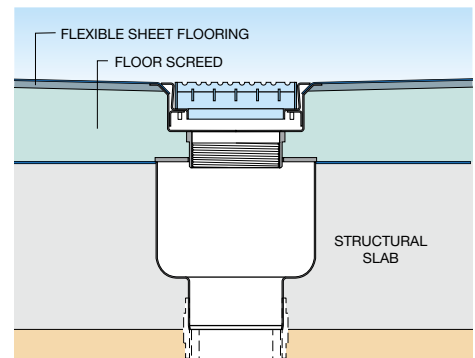
D1109 body with **C.D10** membrane clamping collar and **K2103** nickel bronze grating



Stainless steel Non-trapped body assemblies

(See pages 5B ntss for product information)

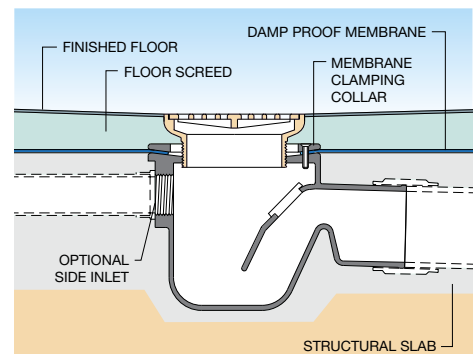
QB114 body assembly with **L3601** stainless steel grating



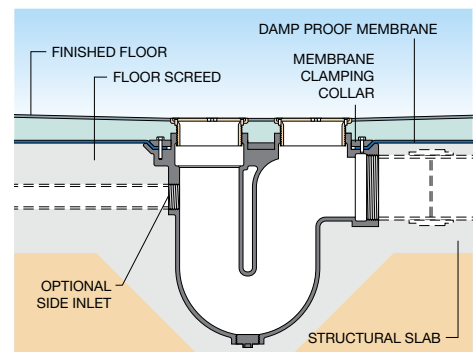
Cast iron Trapped bodies

(See pages 5B tci for product information)

G303C body with membrane clamping collar, side inlets and **L2103** nickel bronze grating



J204 body with **C.J2** membrane clamping collar, **K2302** nickel bronze grating and **K5601** "SuperSeal" nickel bronze access cover



Vari-Level

Assemblies and typical installations

These typical installation drawings serve to illustrate the general principle of how such assemblies are used. These are not intended to imply that they must be used in this way. There are many variations of floor build up and it is for the end user to determine suitability of a drain assembly in a particular application.

Cast iron

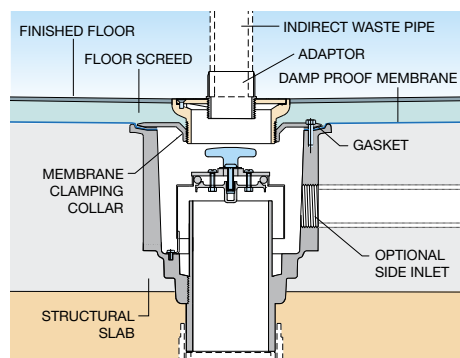
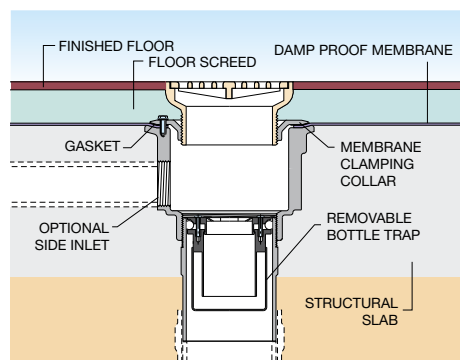
Trapped body assemblies

(See pages 5B tci for product information)

GC144 body assembly with **C.C** membrane clamping collar and **L2501** nickel bronze grating



GD144 body assembly with **C.D** membrane clamping collar, 1A x 2" side inlet and **K5203** nickel bronze access cover



Plastic

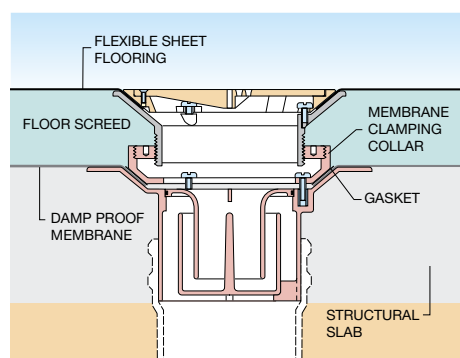
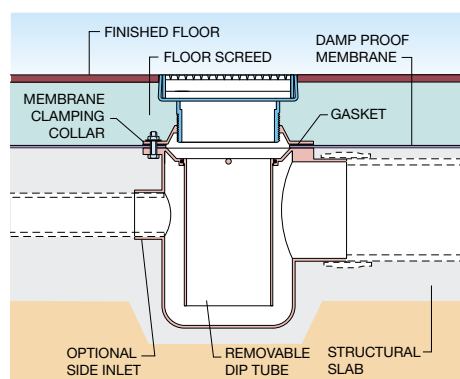
Trapped body assemblies

(See page 5B tp for product information)

GP1104 body assembly with **L2901** stainless steel grating



GP614 body assembly with **K2302** nickel bronze grating

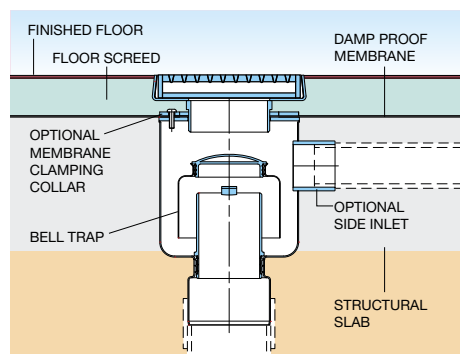
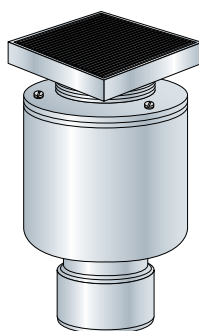


Stainless steel

Trapped body assemblies

(See pages 5B tss for product information)

QG114C body assembly with membrane clamping collar and **L2902** stainless steel grating



Vari-Level bodies

Cast iron, non-trapped

Connections

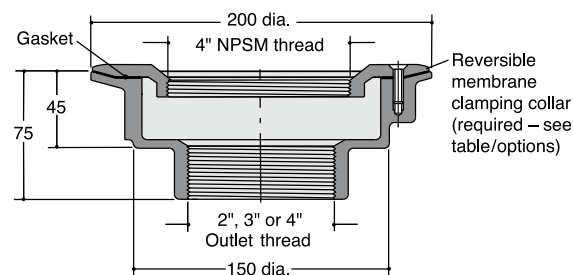
For use with gratings and access covers shown in sections 5G and 5V and accessories shown in section 5X.

Bodies with spigot outlet are for direct connection to pipework; versions with BSP threaded outlet are for connection to pipework by means of a threaded pipework adaptor. Details of adaptors for connecting to different types and sizes of pipework are shown in section 10.

Typical installation – see page 5A1

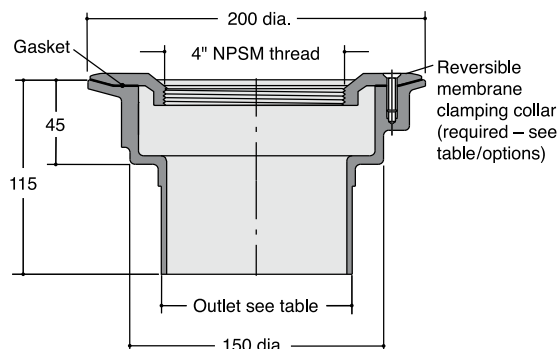
C2 series

Vertical outlet (threaded) – shallow sump



C3 series

Vertical outlet (threaded) – shallow sump



Spec. Code Body	Collar	Outlet size	Pipework system	Free area cm ²	kg
C202	C.C	2" BSP	-	19	2.8
C203	C.C	3" BSP	-	44	2.9
C204	C.C	4" BSP	-	78	2.8
C343	C.C	82mm	Plastic	44	3.1
C344	C.C	110mm	Plastic	78	3.3
C363	C.C	75mm	BS 437	44	3.4
C364	C.C	100mm	BS 437	78	3.7
C393	C.C	75mm	BS 416	44	3.3
C344	C.C	100mm	BS 416/DIN 19522	78	3.3

To specify/order

Specify *Body* and *Collar* Spec. Code from the table above; see page 5C2 for alternative membrane clamping collars.

For information on flow rates please contact our Technical Services Department.

Options

Access covers – select from Section 5V.

Gratings – select from Section 5G.

Membrane clamping collar

Required for C series (membrane clamping collar also connects the grating/cover to the body) – see table for standard 4" throat collar Spec. Code or refer to page 5C2 for alternatives.

Height adjustability – distance between body flange and top of grating/cover;

Maximum – height of grating/cover plus 15mm.

Minimum – height of grating/cover minus 30mm.

Extra height can be obtained by means of an extension, see page 5X2.

Accessories – select from Section 5X.

Weepholes – see page 5C2.

(to provide supplementary drainage at membrane level).

Linear drainage – select membrane clamping collar C.CL to accept Wade 4" channel outlet – see page 5C2.

Vari-Level bodies

Cast iron, non-trapped

Connections

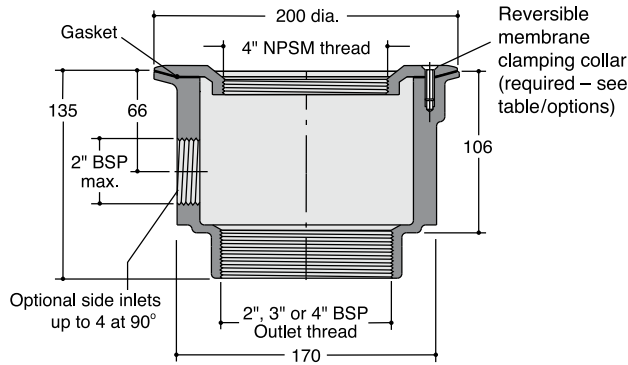
For use with gratings and access covers shown in sections 5G and 5V and accessories shown in section 5X.

Bodies have BSP threaded outlet and are for connection to pipework by means of a threaded pipework adaptor. Details of adaptors for connecting to different types and sizes of pipework are shown in section 10.

Typical installation – see page 5A1

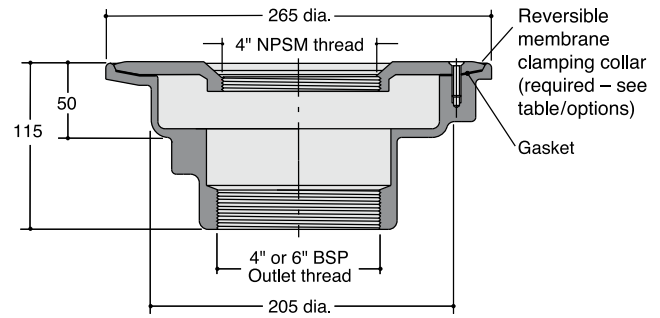
C5 series

Vertical threaded outlet – deep sump plus optional side inlet



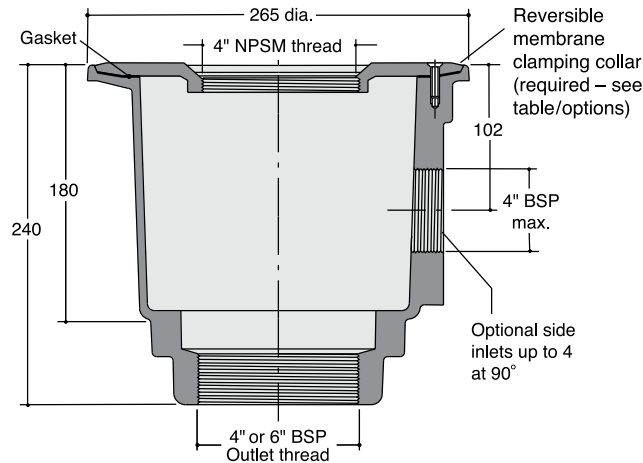
D2 series

Vertical threaded outlet – shallow sump



D4 series

Vertical threaded outlet – deep sump plus optional side inlet



Body	Spec. Code Collar	Outlet size	Free area cm ²	kg
C502	C.C	2" BSP	19	7.6
C503	C.C	3" BSP	44	6.9
C504	C.C	4" BSP	78	7.8
D204	C.D	4" BSP	78	7.2
D206	C.D	6" BSP	176	6.9
D404	C.D	4" BSP	78	11.6
D406	C.D	6" BSP	176	19.8

To specify/order

Specify *Body* and *Collar* Spec. Code from the table above; see page 5C2 for alternative membrane clamping collars.

For information on flow rates please contact our Technical Services Department.

Options

Access covers – select from Section 5V.

Gratings – select from Section 5G.

Membrane clamping collar

Required for C and D series (membrane clamping collar also connects the grating/cover to the body) – see table for standard 4" throat collar Spec. Code or refer to page 5C2 for alternatives.

Height adjustability – distance between body flange and top of grating/cover;

C series

Maximum – height of grating/cover plus 15mm.

Minimum – overall height of grating/cover minus 30mm.

D series

Maximum – height of grating/cover plus 10mm.

Minimum – height of grating/cover minus 30mm.

Extra height can be obtained by means of an extension, see page 5X2.

Accessories – select from Section 5X.

Side inlets – select from Section 9 (C5 series and D4 series only).

Weepholes – see page 5C2.

(to provide supplementary drainage at membrane level).

Linear drainage – select membrane clamping collar C.CL (C5 series) or C.DL, (D2 and D4 series) to accept Wade 4" channel outlet – see page 5C2.

Vari-Level bodies

Cast iron, non-trapped

Connections

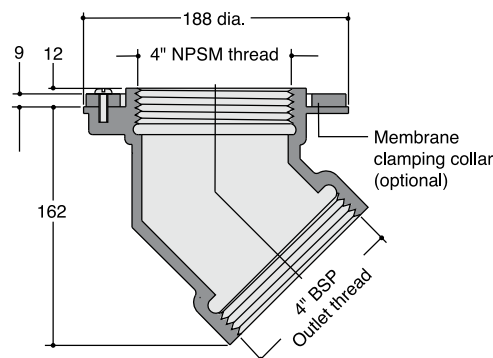
For use with gratings and access covers shown in sections 5G and 5V and accessories shown in section 5X.

Bodies have BSP threaded outlet and are for connection to pipework by means of a threaded pipework adaptor. Details of adaptors for connecting to different types and sizes of pipework are shown in section 10.

Typical installation – see page 5A1

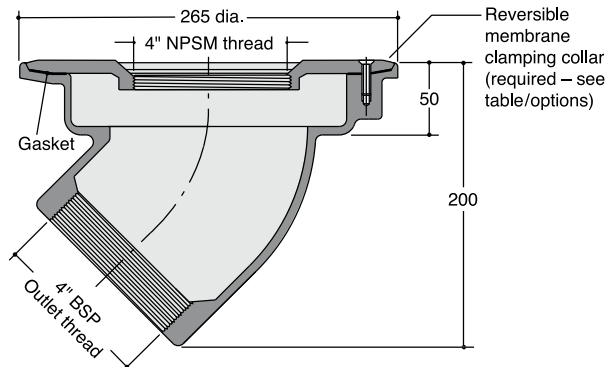
B504

45° Threaded outlet



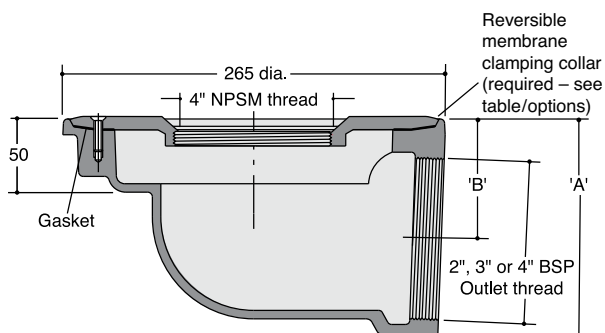
D604

45° Threaded outlet



D7 series

Horizontal threaded outlet – shallow sump



Spec. Code	Outlet size	A	B	Free area cm ²	kg
B504	4" BSP	-	-	78	3.5
D604	4" BSP	-	-	78	10.7
D702	2" BSP	127	86	19	7.0
D703	3" BSP	127	73	44	6.5
D704	4" BSP	150	83	78	10.0

To specify/order

Specify *Body* and *Collar* Spec. Code from the table above; see page 5C2 for alternative membrane clamping collars.

Note: Membrane clamping collar is optional for B504.

For information on flow rates please contact our Technical Services Department.

Options

Access covers – select from Section 5V.

Gratings – select from Section 5G.

Membrane clamping collar

Optional for B504 – see table for collar Spec. Code

Required for D series (membrane clamping collar also connects the grating/cover to the body) – see table for standard 4" throat collar Spec. Code or refer to page 5C2 for alternatives.

Height adjustability – distance between body flange and top of grating/cover;

B504

Maximum – height of grating/cover plus 5mm.

Minimum – height of grating/cover minus 15mm.

D series

Maximum – height of grating/cover plus 10mm.

Minimum – height of grating/cover minus 30mm.

Extra height can be obtained by means of an extension, see page 5X2.

Accessories – select from Section 5X.

Weepholes – see page 5C2 (D series only).

(to provide supplementary drainage at membrane level).

Linear drainage – select membrane clamping collar C.DL to accept Wade 4" channel outlet – see page 5C2 (D604 and D7 series only).

Vari-Level bodies

Cast iron, non-trapped (for use with bituminous membrane)

Connections

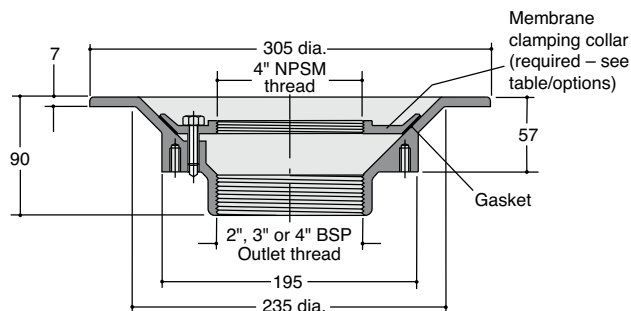
For use with gratings and access covers shown in sections 5G and 5V and accessories shown in section 5X.

Bodies with spigot outlet are for direct connection to BS 416 pipework; versions with BSP threaded outlet are for connection to pipework by means of a threaded pipework adaptor. Details of adaptors for connecting to different types and sizes of pipework are shown in section 10.

Typical installation – see page 5A1

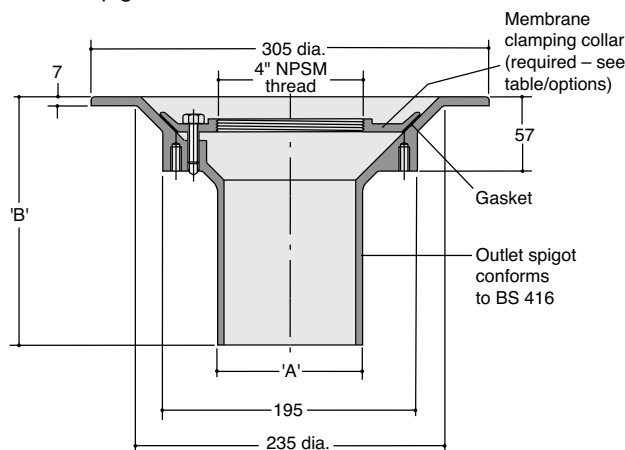
D10 series

Vertical threaded outlet



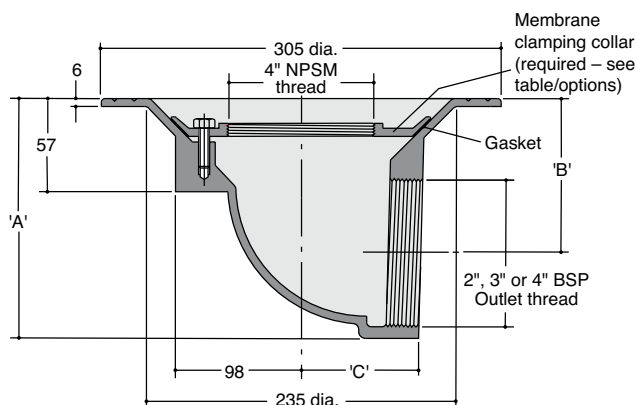
D11 series

BS 416 spigot outlet



D12 series

Horizontal threaded outlet



Spec. Code	Outlet	Free area					
Body	Collar	size	A	B	C	cm ²	kg
D1002	C.D10	2" BSP	-	-	-	19	5.0
D1003	C.D10	3" BSP	-	-	-	44	4.3
D1004	C.D10	4" BSP	-	-	-	78	3.3
D1107	C.D10	50mm	61	238	-	19	4.2
D1108	C.D10	75mm	87	165	-	44	3.7
D1109	C.D10	100mm	112	190	-	78	8.7
D1207	C.D10	2" BSP	119	80.5	143	19	6.5
D1208	C.D10	3" BSP	119	67.5	143	44	6.7
D1209	C.D10	4" BSP	183	117	91	78	6.5

To specify/order

Specify *Body* and *Collar* Spec. Code from the table above; see page 5C2 for alternative membrane clamping collars.

For information on flow rates please contact our Technical Services Department.

Options

Access covers – select from Section 5V.

Gratings – select from Section 5G.

Membrane clamping collar

Required for D10-D12 series (membrane clamping collar also connects the grating/cover to the body) – see table for standard 4" throat collar Spec. Code or refer to page 5C2 for alternatives.

Height adjustability – distance between body flange and top of grating/cover (based on 20mm membrane);

Maximum – height of grating/cover minus zero.

Minimum – height of grating/cover minus 20mm.

Extra height can be obtained by means of an extension, see page 5X2.

Accessories – select from Section 5X.

Weepholes – see page 5C2.

(to provide supplementary drainage at membrane level).

Linear drainage – select membrane clamping collar C.D10LLW to accept Wade 4" channel outlet – see page 5C2.

Notes

- WB3 and WB5 gullies shown in Section 7 and K2501A and K2591A gratings shown in Sections 5G ci and 6G ci are for use in asphalt/composition finished floors.
- Versions of G series trapped gullies shown on pages 5B tci 1 and 2 are also available for use where asphalt is dressed below the finished floor.

Vari-Level bodies

Cast iron, non-trapped (for sub-surface drainage such as with cavity membranes, where membrane is below insulation)

Connections

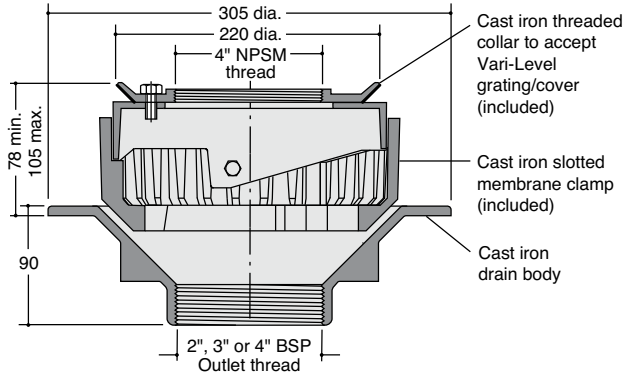
For use with gratings and access covers shown in sections 5G and 5V and accessories shown in section 5X.

Bodies with spigot outlet are for direct connection to BS 416 pipework; versions with BSP threaded outlet are for connection to pipework by means of a threaded pipework adaptor. Details of adaptors for connecting to different types and sizes of pipework are shown in section 10.

Typical installation – see wadeint.co.uk/installation

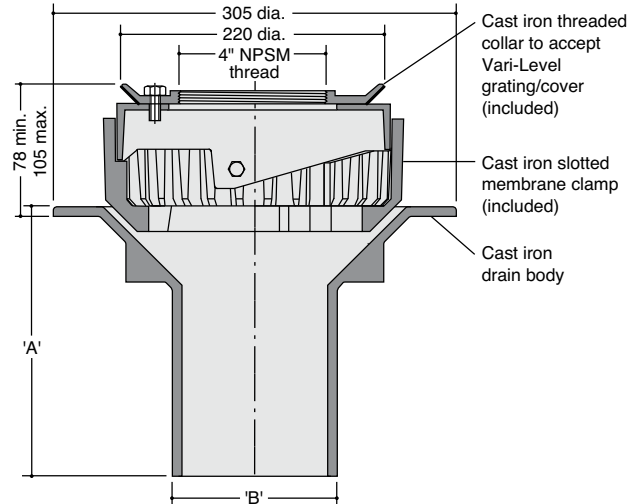
SD102, SD103, SD104

Threaded outlet



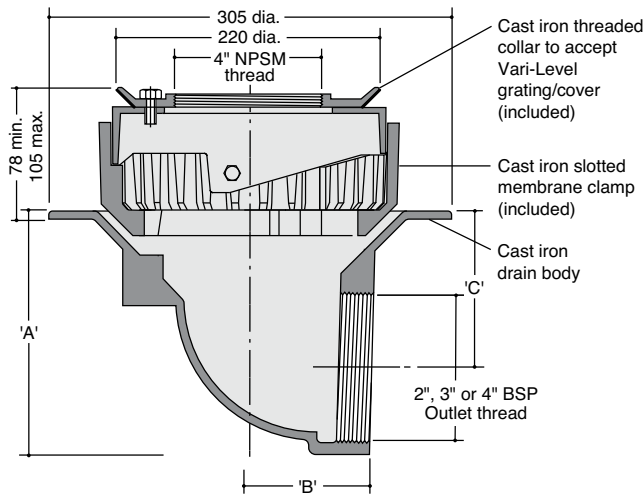
SD202, SD203, SD204

Spigot outlet



SD302, SD303, SD304

Horizontal outlet



Spec. Code	Outlet size	A	B	C	Free area cm ²	kg
SD102	2" BSP	-	-	-	-	11.8
SD103	3" BSP	-	-	-	-	10.8
SD104	4" BSP	-	-	-	-	10.2
SD202	50mm	238	-	-	-	-
SD203	75mm	165	87	-	-	11.6
SD204	100mm	190	111	-	-	11.4
SD302	2" BSP	119	145	80	-	12.9
SD303	3" BSP	119	145	67	-	12.3
SD304	4" BSP	183	90	117	-	14.1

To specify/order

Specify Spec. Code from the table above.

For information on flow rates please contact our Technical Services Department.

Options

Access covers – select from Section 5V.

Gratings – select from Section 5G.

Height adjustability – distance between body flange and top of grating/cover (based on 20mm membrane);
 Maximum – height of grating/cover minus 10mm.
 Minimum – height of grating/cover minus 30mm.
 Extra height can be obtained by means of an extension, see page 5X2.

Accessories – select from Section 5X.

Vari-Level bodies

Cast iron, non-trapped (for sub-surface drainage such as with cavity membranes, where membrane is above insulation)

Connections

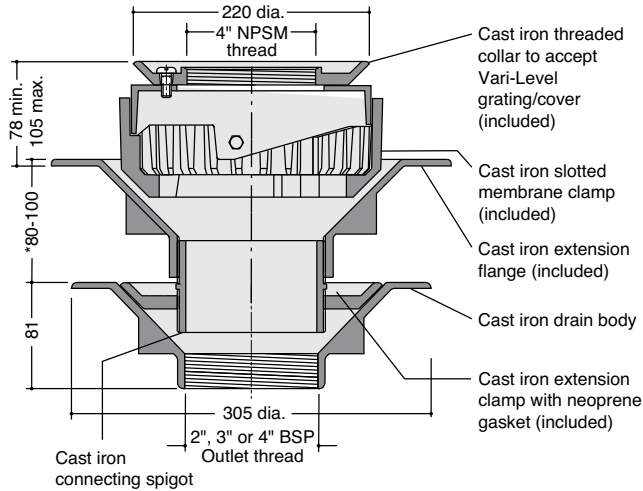
For use with gratings and access covers shown in sections 5G and 5V and accessories shown in section 5X.

Bodies with spigot outlet are for direct connection to BS 416 pipework; versions with BSP threaded outlet are for connection to pipework by means of a threaded pipework adaptor. Details of adaptors for connecting to different types and sizes of pipework are shown in section 10.

Typical installation – see wadeint.co.uk/installation

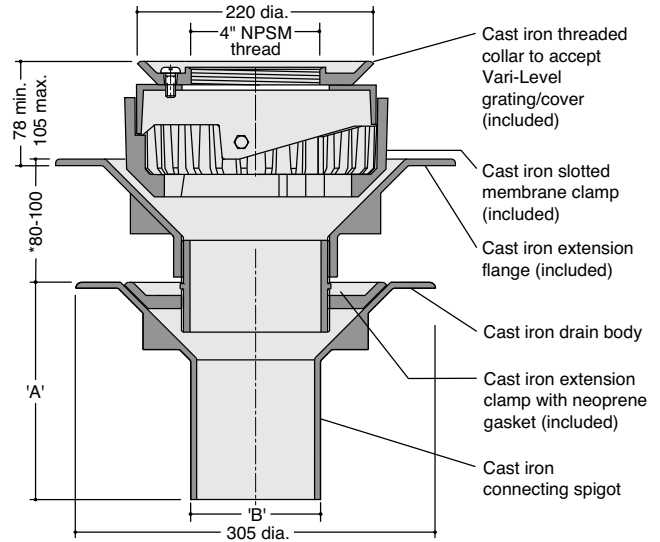
SD402, SD403, SD404

Threaded outlet



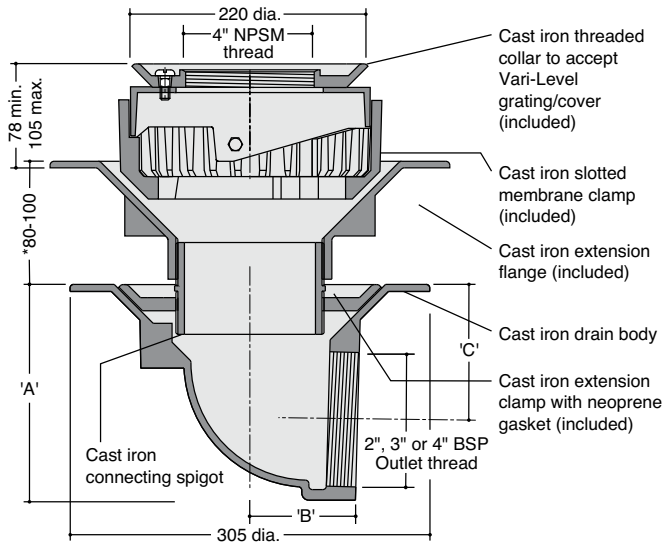
SD502, SD503, SD504

Spigot outlet



SD602, SD603, SD604

Horizontal outlet



Spec. Code	Outlet size	A	B	C	Free area cm ²	kg
SD402	2" BSP	-	-	-	-	17.6
SD403	3" BSP	-	-	-	-	16.6
SD404	4" BSP	-	-	-	-	16.0
SD502	50mm	238	60	-	-	17.0
SD503	75mm	165	87	-	-	17.4
SD504	100mm	190	111	-	-	17.2
SD602	2" BSP	119	145	80	-	18.7
SD603	3" BSP	119	145	67	-	18.1
SD604	4" BSP	183	90	117	-	19.9

To specify/order

Specify Spec. Code from the table above.

For information on flow rates please contact our Technical Services Department.

Options

Access covers – select from Section 5V.

Gratings – select from Section 5G.

Height adjustability – distance between body flange and top of grating/cover (based on 20mm membrane);
 Maximum – height of grating/cover minus 10mm.
 Minimum – height of grating/cover minus 30mm.
 Extra height can be obtained by means of an extension, see page 5X2.

Accessories – select from Section 5X.

Notes

* Items shown are for use with insulation thicknesses between 80mm and 100mm. Greater thicknesses can be accommodated by use of a longer connecting spigot. To specify, state the Spec. Code and insulation thickness.

Vari-Level bodies

Stainless steel grade 304, non-trapped

For use in high specification applications including food preparation, showers and areas where high corrosion resistance is a requirement. In applications such as swimming pools or having an aggressive atmosphere, grade 316 is recommended and is available on request.

Connections

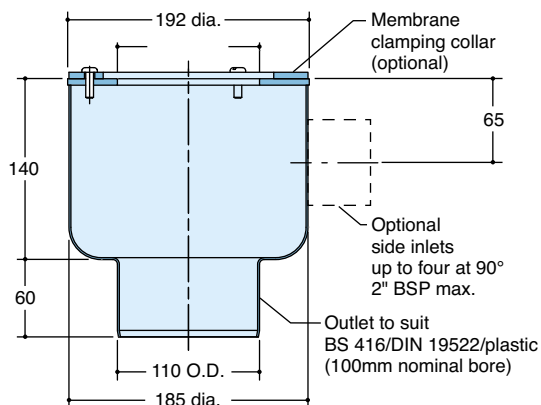
For use with gratings and access covers shown in sections 5G and 5V and accessories shown in section 5X.

Bodies are for direct connection to cast iron BS 416/DIN 19522 and PVC pipework; they can be connected to other pipework systems by means of adaptors shown in Section 10.

Typical installation – see page 5A1

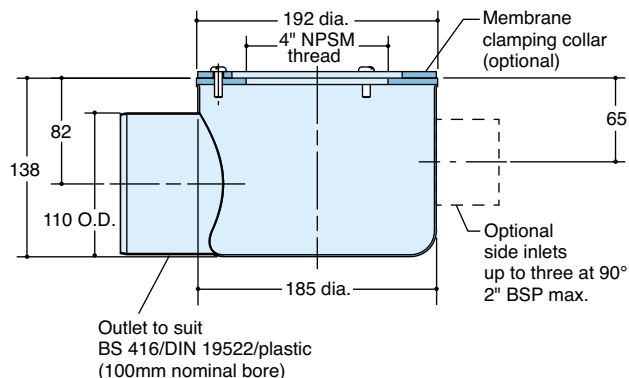
QB114

Vertical outlet (BS 416) – deep sump



QB214

Horizontal outlet (BS 416) – deep sump



Spec. Code	Outlet size mm	Free area cm ²	kg
QB114	100	78	2.3
QB214	100	78	2.1

To specify/order

Specify Spec. Codes from the table above. Add suffix 'C' if optional membrane clamping collar is required.

For information on flow rates please contact our Technical Services Department.

Options

Access covers – select from Section 5V.

Gratings – select from Section 5G.

Membrane clamping collar

Optional – add suffix 'C'

Height adjustability – distance between body flange and top of grating/cover;

Maximum – height of grating/cover minus 10mm.

Minimum – height of grating/cover minus 30mm.

Extra height can be obtained by means of an extension, see page 5X2.

Accessories – select from Section 5X.

Asphalt membrane flange – add suffix 'A'

(for use where asphalt is dressed below the finished floor).

Side inlets – select from Section 9.

Weepholes – add suffix 'W'.

(to provide supplementary drainage at membrane level)

Linear drainage – with inlet modified to accept Wade 4" channel outlet – add suffix 'LD'

Grade 316 – made of grade 316, add suffix 'M'.

Note

See section 4 for additional stainless steel gullies.

Vari-Level bodies

Cast iron, 'P' trapped – 50mm seal

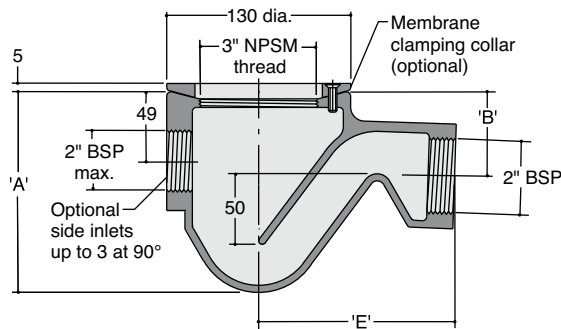
Connections

For use with gratings and access covers shown in sections 5G and 5V and accessories shown in section 5X.

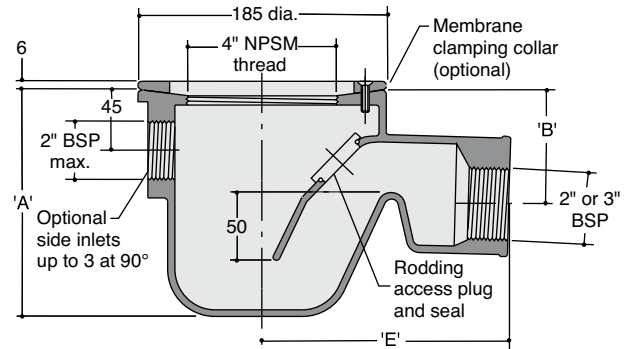
Bodies with spigot outlet are for direct connection to pipework; versions with BSP threaded outlet are for connection to pipework by means of a threaded pipework adaptor. Details of adaptors for connecting to different types and sizes of pipework are shown in section 10.

Typical installation – see page 5A1

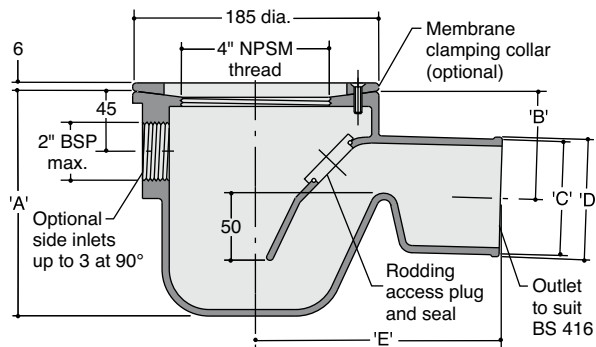
G102



G2 series



G3 series



Spec. Code	Outlet size	A	B	C	D	E	Free area cm ²	kg
G102	2" BSP	142	60	-	-	140	19	5.5
G202	2" BSP	170	85	-	-	185	19	8.3
G203	3" BSP	205	95	-	-	190	44	9.9
G303	75mm	170	80	87	89	185	44	7.8
G304	100mm	205	92	112	no bead	190	78	9.6

To specify/order

Specify Spec. Code from the table above. Add suffix 'C' if optional membrane clamping collar is required.

For information on flow rates please contact our Technical Services Department.

Options

Access covers – select from Section 5V.

(with G102 select only 3" throat versions).

Gratings – select from Section 5G.

(with G102 select only 3" throat versions).

Membrane clamping collar

Optional – add suffix 'C'.

Height adjustability – distance between body flange and top of grating/cover;

Maximum – height of grating/cover minus 10mm.

Minimum – height of grating/cover minus 30mm.

Extra height can be obtained by means of an extension, see page 5X2. **Caution:** Extensions may be stacked to obtain extra height, but access to trap/plug will be restricted.

Accessories – select from Section 5X.

Asphalt membrane flange – add suffix 'A' – see page 5X3. (for use where asphalt is dressed below the finished floor; not available with G102).

Side inlets – select from Section 9 (inlets are trapped).

Weepholes – add suffix 'W'.

(to provide supplementary drainage at membrane level).

Linear drainage – with inlet modified to accept Wade 4" channel outlet (not G102) – add suffix 'LD'.

Vari-Level bodies

Cast iron, 'S' trapped – 50mm seal

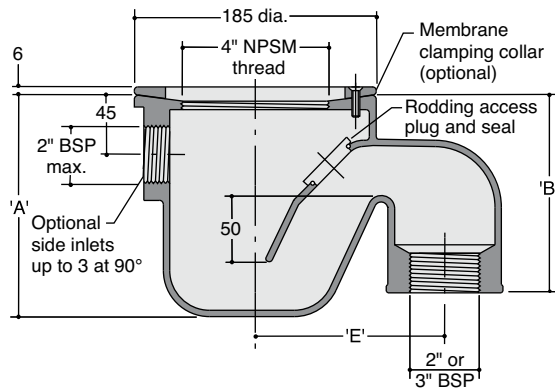
Connections

For use with gratings and access covers shown in sections 5G and 5V and accessories shown in section 5X.

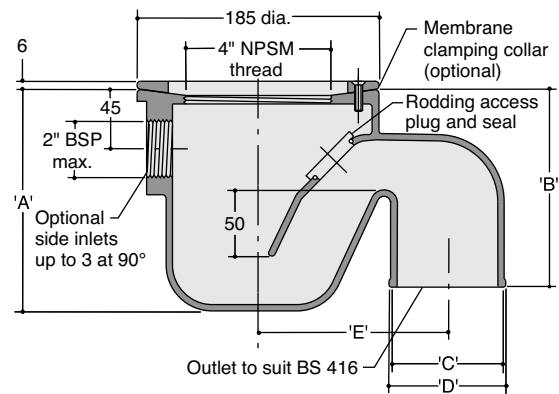
Bodies with spigot outlet are for direct connection to pipework; versions with BSP threaded outlet are for connection to pipework by means of a threaded pipework adaptor. Details of adaptors for connecting to different types and sizes of pipework are shown in section 10.

Typical installation – see page 5A1

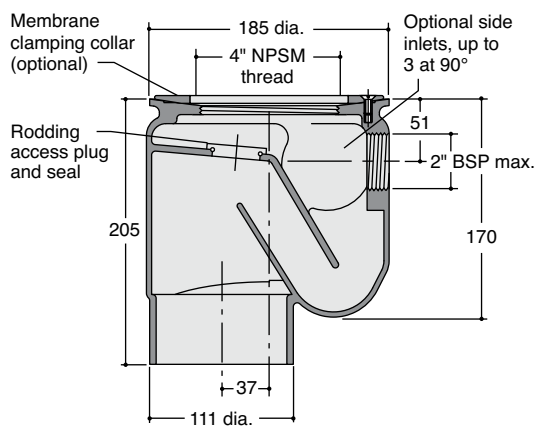
G5 series



G6 series



G1014



Spec. Code	Outlet size	A	B	C	D	E	Free area cm ²	kg
G502	2" BSP	170	150	-	-	145	19	8.8
G503	3" BSP	205	165	-	-	156	44	10.6
G603	75mm	170	150	87	89	145	44	8.5
G604	100mm	205	165	112	no bead	155	78	11.0
G1014	100mm	-	-	-	-	-	64	9.0

To specify/order

Specify Spec. Code from the table above. Add suffix 'C' if optional membrane clamping collar is required.

For information on flow rates please contact our Technical Services Department.

Options

Access covers – select from Section 5V.

Gratings – select from Section 5G.

Membrane clamping collar

Optional – add suffix 'C'.

Height adjustability – distance between body flange and top of grating/cover;

Maximum – height of grating/cover minus 10mm.

Minimum – height of grating/cover minus 30mm.

Extra height can be obtained by means of an extension, see page 5X2. **Caution:** Extensions may be stacked to obtain extra height, but access to trap/plug will be restricted.

Accessories – select from Section 5X.

Asphalt membrane flange – add suffix 'A' – see page 5X3.

(for use where asphalt is dressed below the finished floor).

Side inlets – select from Section 9 (inlets are trapped).

Weepholes – add suffix 'W'.

(to provide supplementary drainage at membrane level)

Linear drainage – with inlet modified to accept Wade 4" channel outlet (not G102) – add suffix 'LD'.

Vari-Level bodies

Cast iron, 'P' trapped – 100mm seal

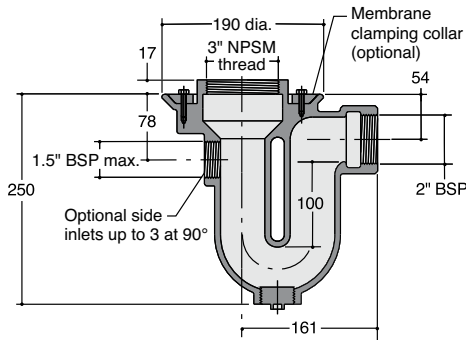
Connections

For use with gratings and access covers shown in sections 5G and 5V and accessories shown in section 5X.

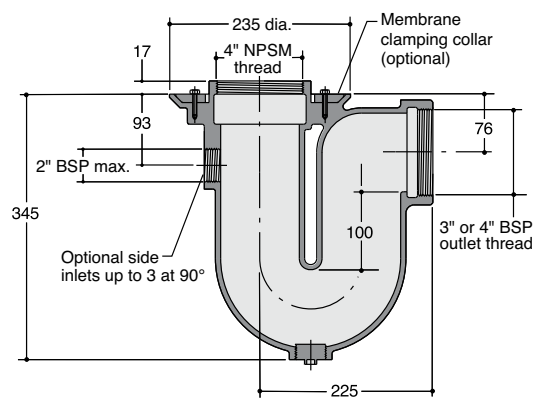
Bodies have BSP threaded outlet and are for connection to pipework by means of a threaded pipework. Details of adaptors for connecting to different types and sizes of pipework are shown in section 10.

Typical installation – see page 5A1

H102

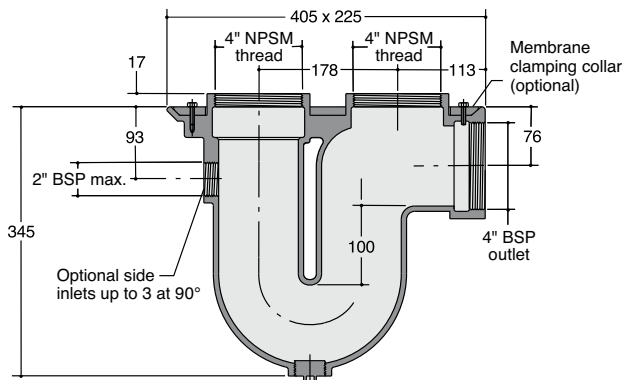


H2 series



J204

With rodding access



Notes

1. The close proximity of grating and access cover prevents the adjacent use of the widest versions.
2. The inlet closest to the outlet is not trapped; select sealed access covers only and ensure that the access cover is installed closest to the outlet.

Spec. Code	Outlet size	Free area	kg	
Body	Collar	cm ²		
H102	C.H1	2" BSP	19	7.6
H203	C.H2	3" BSP	44	17.4
H204	C.H2	4" BSP	78	16.4
J204	C.J2	4" BSP	78	19.7

To specify/order

Specify *Body* Spec. Code from the table above and add *Collar* Spec. Code if optional membrane clamping collar is required.

For information on flow rates please contact our Technical Services Department.

Options

Access covers – select from Section 5V.

(with H102 select only 3" throat versions).

Gratings – select with 4" throat from Section 5G.

(with H102 select only 3" throat versions).

Membrane clamping collar

Optional – see table for collar Spec. Code.

Height adjustability – distance between body flange and top of grating/cover.

Maximum – height of grating/cover plus 10mm.

Minimum – height of grating/cover minus 10mm.

Extra height can be obtained by means of an extension, see page 5X2.

Accessories – select from Section 5X.

Side inlets – select from Section 9 (inlets are trapped).

Weepholes – add suffix 'W'.

(to provide supplementary drainage at membrane level).

Vari-Level body assembly

**Cast iron body with plastic bottle trap – 50mm seal
(with full bore access to pipework)**

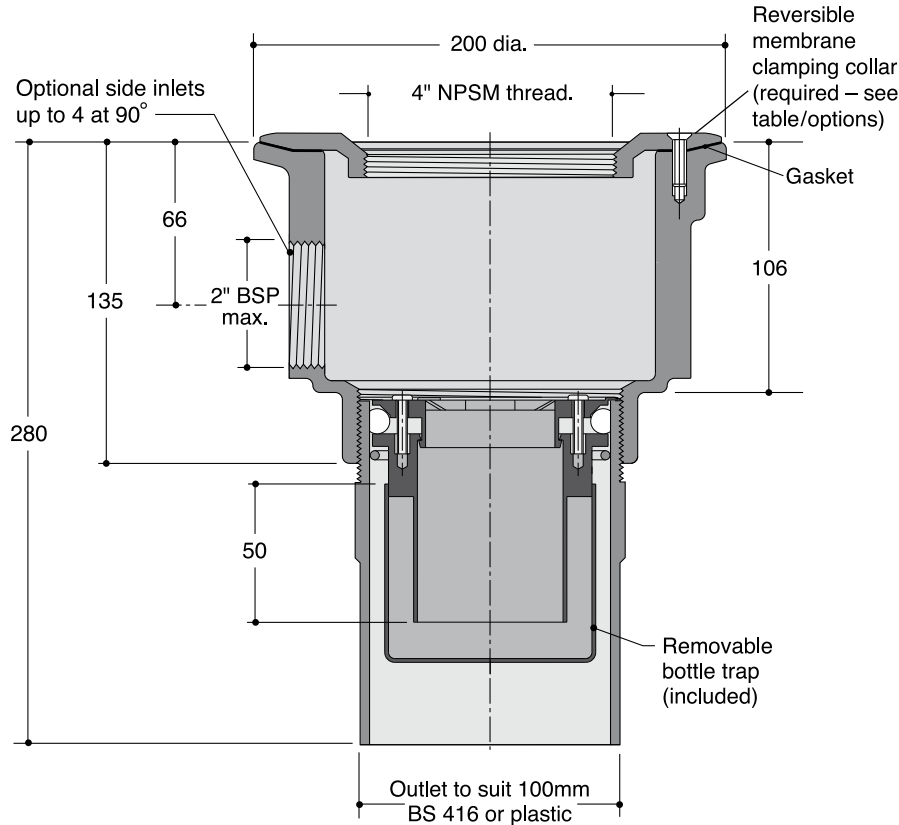
Maximum flow rate of 1 l/s

Connections

For use with gratings and access covers shown in sections 5G and 5V (4" throat versions only) and accessories shown in section 5X. The body has a spigot outlet for direct connection to pipework. Details of adaptors for connecting to other pipework are shown in section 10.

Typical installation – see page 5A2

GC144



Rodding access to pipework is via a removable, plastic bottle trap.

Spec. Code Body	Code Collar	Outlet size	Pipework system	Free area cm ²	kg
GC144	C.C	100	BS 416/DIN19522 (100mm) /Plastic (110mm)	20	11.1

To specify/order

Specify *Body* and *Collar* Spec. Code from the table above; see page 5C2 for alternative membrane clamping collars.

For information on flow rates please contact our Technical Services Department.

Notes

1. This body assembly is designed for low volume drainage applications (max. flow rate of 1 l/s).
2. Frequent cleaning of the bottle trap will be necessary in applications where very high amounts of hair and other waste materials are present.

Options

Access covers – select with 4" throat from Section 5V.

Gratings – select with 4" throat from Section 5G.

Membrane clamping collar

Required (membrane clamping collar also connects the grating/cover to the body) – see table for standard 4" throat collar Spec. Code or refer to page 5C2 for alternatives.

Height adjustability – distance between body flange and top of grating/cover;

Maximum – height of grating/cover plus 15mm.

Minimum – height of grating/cover minus 30mm.

Extra height can be obtained by means of an extension, see page 5X2. **Caution:** Extensions may be stacked to obtain extra height, but access to trap will be restricted.

Accessories – select from Section 5X.

Side inlets – select from Section 9 (inlets are trapped).

Weepholes – see page 5C2.

(to provide supplementary drainage at membrane level).

Vari-Level body assemblies

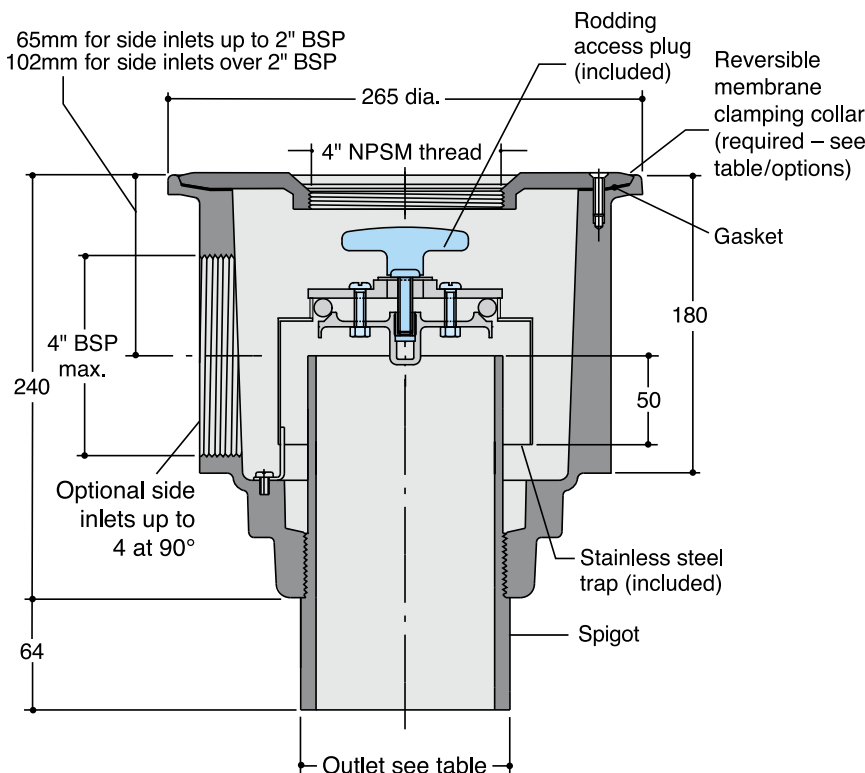
**Cast iron body with stainless steel bell trap – 50mm seal
(with full bore access to pipework)**

Connections

For use with gratings and access covers shown in sections 5G and 5V (4" throat versions only) and accessories shown in section 5X. Bodies have a spigot outlet for direct connection to pipework. Details of adaptors for connecting to other pipework are shown in section 10.

Typical installation – see page 5A2

GD series



Rodding access to pipework is via a removable, expanding plug which is fitted to the secured stainless steel trap.

Spec. Code Body	Collar	Outlet size	Pipework system	Free area cm ²	kg
GD144	C.D	100	BS 416/DIN 19522 (100mm)/Plastic (110mm)	78	17.3
GD164	C.D	100	BS 437	78	17.3

To specify/order

Specify *Body* and *Collar* Spec. Code from the table above; see page 5C2 for alternative membrane clamping collars.

For information on flow rates please contact our Technical Services Department.

Options

Access covers – select with 4" throat from Section 5V.

Gratings – select with 4" throat from Section 5G.

Membrane clamping collar

Required (membrane clamping collar also connects the grating/cover to the body) – see table for standard 4" throat collar Spec. Code or refer to page 5C2 for alternatives.

Height adjustability – distance between body flange and top of grating/cover;

Maximum – height of grating/cover plus 10mm.

Minimum – height of grating/cover minus 30mm (or minus 8mm if UP701 filter bucket is fitted to grating).

Extra height can be obtained by means of an extension, see page 5X2. **Caution:** Extensions may be stacked to obtain extra height, but access to trap/plug will be restricted.

Accessories – select from Section 5X.

Side inlets – select from Section 9.

(up to 2" are completely above the water level over 2" are partially below).

Weepholes – see page 5C2.

(to provide supplementary drainage at membrane level).

Vari-Level body assemblies

ABS plastic, trapped – 50mm seal comprising body and membrane clamping collar

Connections

For use with gratings and access covers shown in sections 5G and 5V (4" throat versions only) and accessories shown in section 5X. GP312 body has a 50mm socket outlet for solvent-weld connection to 50mm plastic pipework.

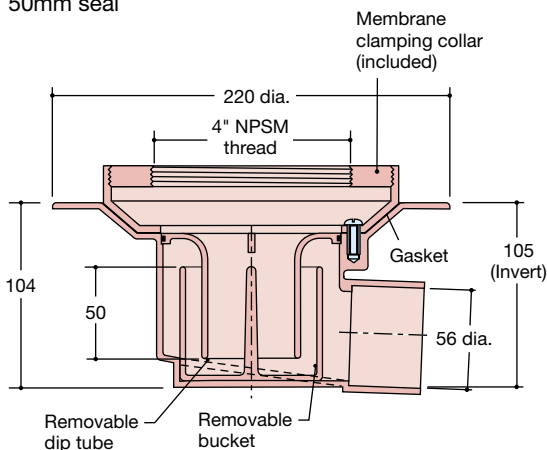
GP614 body has a 110mm spigot outlet for solvent-weld or ring-seal connection to 110mm plastic pipework and is supplied with a solvent-weld reducer for optional connection to 50mm plastic pipework.

GP1104 body has a 110mm spigot outlet for solvent-weld or ring-seal connection to 110mm plastic pipework.

Typical installation – see page 5A2

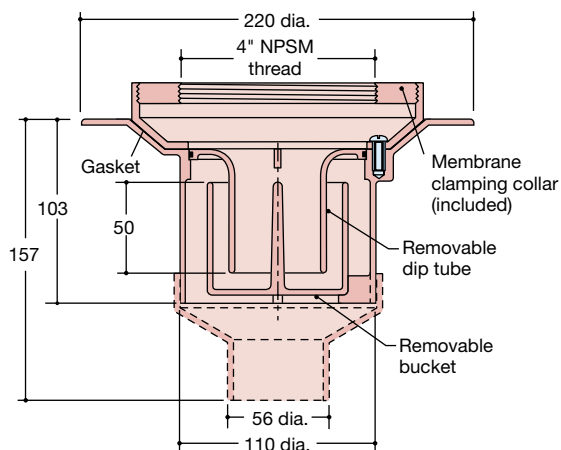
GP312

50mm seal



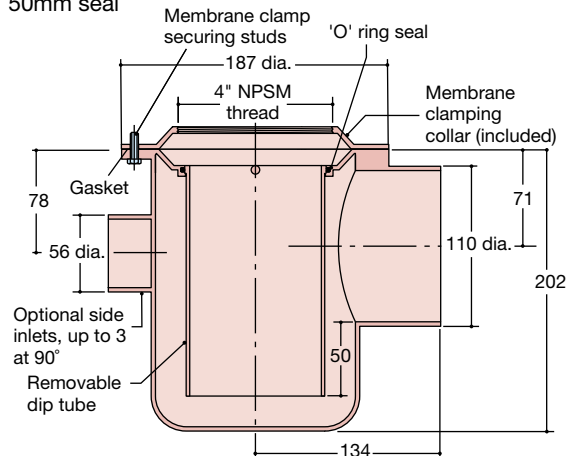
GP614

50mm seal



GP1104

50mm seal



Spec. Code	Outlet size mm	Pipework system	Free area cm ²	kg
GP312	50	Plastic	14	0.6
GP614	110/50	Plastic	14	0.6
GP1104	110	BS 416/Plastic	67	0.6

To specify/order

Select Spec. Code from the table above (membrane clamping collar is included).

For information on flow rates please contact our Technical Services Department.

Notes

1. The membrane clamping collar serves a dual purpose by also connecting the grating/cover to the body; a version with 4" throat is supplied to suit.
2. A gasket is supplied to ensure a watertight joint between membrane (or body if no membrane is being used) and membrane clamping collar.
3. GP312/GP614 are designed for low volume drainage applications (max. flow rate of 1 l/s). Frequent cleaning will be necessary in applications where very high amounts of hair and other waste materials are present.
4. Maximum continuous operating temperature of 75°C.

Options

Access covers – select with 4" throat from Section 5V.

Gratings – select with 4" throat from Section 5G.

Height adjustability – distance between body flange and top of grating/cover;

GP312/GP614 series

Maximum – height of grating/cover plus 10mm.

Minimum – height of grating/cover minus 5mm.

GP1104 series

Maximum – height of grating/cover plus 10mm.

Minimum – height of grating/cover minus zero.

Extra height can be obtained by means of a UP104 extension see page 5X2. **Caution:** Extensions may be stacked to obtain extra height, but access to trap dip tube/bucket will be restricted.

Cast iron extensions are not suitable for use with GP Series bodies.

Accessories – select from Section 5X.

Side inlets (untrapped) – (GP1104 only).

3 solvent-weld spigots to connect to 50mm plastic pipework are enabled by knockouts. **Note:** Side inlets are not trapped in the GP1104.

Weepholes – add suffix 'W'.

Vari-Level body assemblies

Stainless steel grade 304, trapped – 60mm seal

For use in high specification applications including food preparation, showers and areas where high corrosion resistance is a requirement. In applications such as swimming pools or having an aggressive atmosphere, grade 316 is recommended and is available on request.

Connections

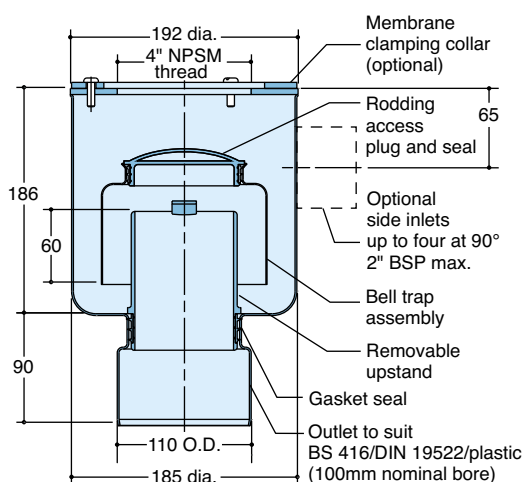
For use with gratings and access covers shown in sections 5G and 5V (4" throat versions only) and accessories shown in section 5X.

Bodies are for direct connection to cast iron BS 416/DIN 19522 and PVC pipework; they can be connected to other pipework systems by means of adaptors shown in Section 10.

Typical installation – see page 5A2

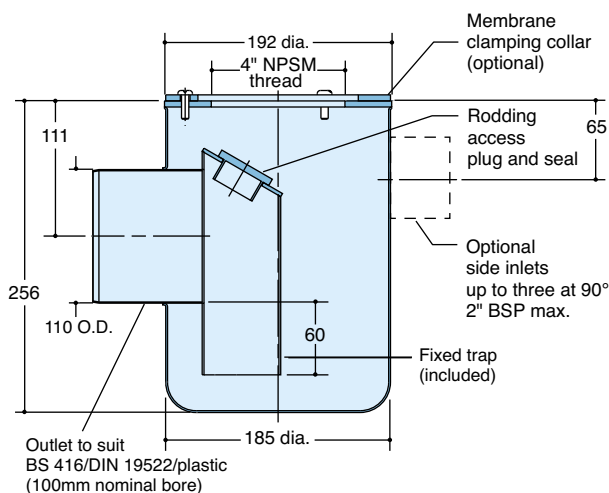
QG114

Vertical outlet (BS 416) – bell trapped



QG214

Horizontal outlet (BS 416) – 'P' trapped



Spec. Code	Outlet size mm	Free area cm ²	Trap type	kg
QG114	100	51	Bell	2.8
QG214	100	60	P	3.5

To specify/order

Specify Spec. Codes from the table above. Add suffix 'C' if optional membrane clamping collar is required.

For information on flow rates please contact our Technical Services Department.

Options

Access covers – select with 4" throat from Section 5V.

Gratings – select with 4" throat from Section 5G.

Membrane clamping collar

Optional – add suffix 'C'

Height adjustability – distance between body flange and top of grating/cover;

Maximum – height of grating/cover minus 10mm.

Minimum – height of grating/cover minus 30mm.

Extra height can be obtained by means of an extension, see page 5X2. **Caution:** Extensions may be stacked to obtain extra height, but access to trap/plug will be restricted.

Accessories – select from Section 5X.

Asphalt membrane flange – add suffix 'A'

(for use where asphalt is dressed below the finished floor).

Side inlets – select from Section 9 (inlets are trapped).

Weepholes – add suffix 'W'.

(to provide supplementary drainage at membrane level)

Linear drainage – with inlet modified to accept Wade 4" channel outlet – add suffix 'LD'.

Grade 316 – made of grade 316 stainless steel, add suffix 'M'.

Note

See section 4 for additional stainless steel gullies.

Vari-Level membrane clamping collars

These typical installation drawings serve to illustrate the general principle of how such assemblies are used. These are not intended to imply that they must be used in this way. There are many variations of floor build up and it is for the end user to determine suitability of a drain assembly in a particular application.

Membrane clamping collars are components used to secure a damp proof membrane to a gully body. Wade manufactures a range of Vari-Level gully bodies, and each has a membrane clamping collar to suit.

Two different types of membrane clamping collar are available:

- (i) **Membrane clamping collar** (figures 1 and 2)
Vari-Level gully bodies without a threaded inlet require a membrane clamping collar which serves the dual purpose of clamping the membrane and connecting the grating/cover to the body. The appropriate membrane clamping collar must be specified to go with the required gully body and grating/cover. Unless specified otherwise, a gasket is supplied to ensure a watertight joint between membrane (or body if no membrane is being used) and membrane clamping collar.
- (ii) **Optional membrane clamping collar** (figure 3)
For Vari-Level gully bodies with a threaded inlet for connecting the grating/cover, the membrane clamping collar is an optional extra, to be specified if the application includes a damp-proof membrane.

To specify

Page 5C2 lists membrane clamping collar Spec. Codes by gully body series and provides details of collars suitable for use with both 4" and 3" throat gratings/covers. Select the appropriate membrane clamping collar from the table to fit the gully body and grating/cover assembly required.

Options

Membrane clamping collars are machined to produce variations to suit particular installations such as:

- W – with weepholes to provide supplementary drainage at membrane level
- L – with throat machined to suit a standard Wade 4" channel outlet

Note

Some membrane clamping collars are reversible (figure 1), thereby increasing the height adjustability of grating/cover above the body. Height adjustability dimensions shown on gully body pages in section 5B allow for the full range of adjustability using reversible collars either way up as necessary.

All membrane clamping collars include stainless steel fasteners to connect to the gully body.

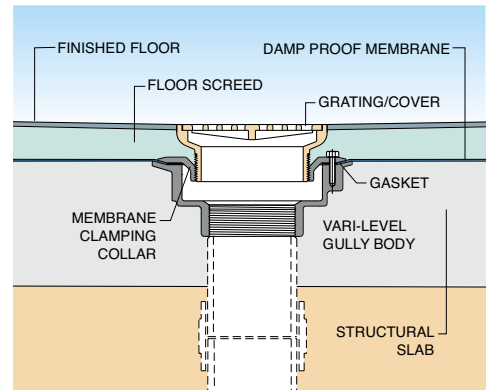


Figure 1: **C** series body with **C.C** membrane clamping collar

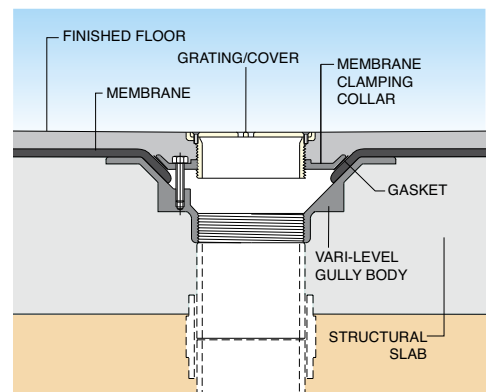


Figure 2: **D10** series body with **C.D10** membrane clamping collar

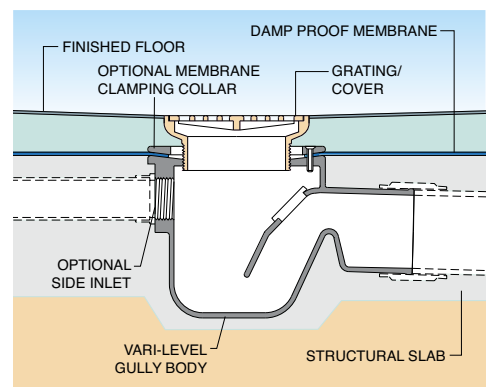


Figure 3: **G304C** body and optional, standard 4" membrane clamping collar

Vari-Level membrane clamping collars

Application chart

Membrane clamping collar Spec. Codes

Body series	For use with 4" throat Vari-Level grating/cover	For use with 3" throat Vari-Level grating/cover
B504	C.B (optional)	C.B (optional) and U1101*
C series	C.C – standard 4" throat version (gasketed) C.CW – includes weepholes (not sealed) C.CL – accepts Wade 114 dia. channel outlet (not sealed)	C.C3 – standard 3" throat version (gasketed) C.CW3 – includes weepholes, 3" throat (not sealed)
D2-D7 series	C.D – standard 4" throat version (gasketed) C.DW – includes weepholes (not sealed) C.DL – accepts Wade 114 dia. channel outlet (not sealed)	C.D and U1101* – standard version (gasketed) C.DW and U1101* – includes weepholes (not sealed)
D10-D12 series	C.D10 – standard 4" throat version (gasketed) C.D10W – includes weepholes (not sealed) C.D10LW – accepts Wade 114 dia. channel outlet (not sealed)	C.D10 and U1101* – standard version (gasketed) C.D10W and U1101* – includes weepholes (not sealed)
G1 series	add suffix ' C ' to body Spec. Code (optional), and U201 [†]	Add suffix ' C ' to body Spec. Code (optional)
G2-G10 series	add suffix ' C ' to body Spec. Code (optional)	<i>Not applicable (3" throat gratings/covers are not recommended for use with this body series)</i>
GC144	C.C – standard 4" throat version (gasketed) C.CW – includes weepholes (not sealed)	<i>Not applicable (3" throat gratings/covers cannot be used with this body series)</i>
GD series	C.D – standard 4" throat version (gasketed) C.DW – includes weepholes (not sealed)	<i>Not applicable (3" throat gratings/covers cannot be used with this body series)</i>
GP series	<i>This series is supplied as an assembly which includes a body, membrane clamping collar and gasket</i>	<i>Not applicable (3" throat gratings/covers cannot be used with this body series)</i>
H102	C.H1 (optional) and U201 [†]	C.H1 (optional)
H2 series	C.H2 (optional)	C.H2 (optional) and U1101*
J204	C.J2 (optional)	C.J2 (optional) and U1101*
QB series	Add suffix ' C ' to body Spec. Code (optional)	Add suffix ' C ' to body Spec. Code and U1101*
QG series	Add suffix ' C ' to body Spec. Code (optional)	<i>Not applicable (3" throat gratings/covers are not recommended for use with this body series)</i>

***U1101** reducing bush enables 3" throat gratings/covers to be used in Vari-Level bodies/adaptors with 4" inlet (see page 5X2).

[†]**U201** 4" NPSM to 3" NPSM extension is required if a 4" throat Vari-Level grating/cover is used with a G1 or H1 series body (see page 5X2).

Note

Versions with weepholes (W) or for use with Wade channel (L) are not supplied with a gasket.

Vari-Level gratings

For use with bodies shown in section 5B, membrane clamping collars shown in section 5C and accessories in section 5X

Wade offers a comprehensive range of high quality gratings which complement floor finishes.

Vari-Level threaded gratings are height adjustable with a fine thread to enable accurate installation at floor level.

Please refer to the product information for the selected body to ensure compatibility and to obtain height adjustability dimensions.

Vari-Level gratings may also be connected to pipework and proprietary gullies by means of adaptors shown in Section 5X.

This section of the catalogue comprises separate pages for different materials as follows:

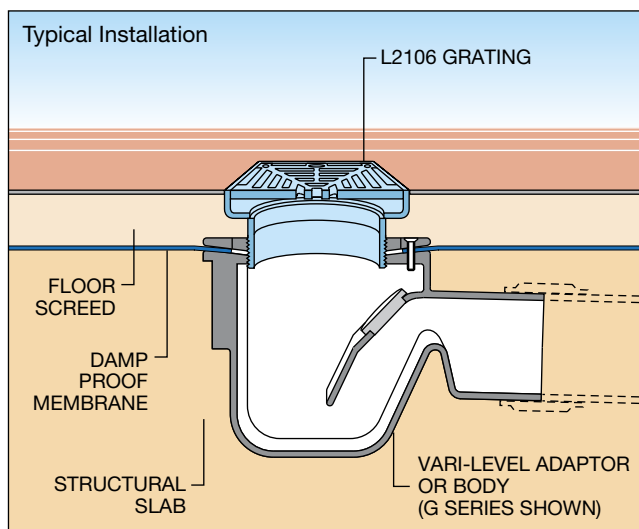
- 5G ci Cast iron** – for use in unfinished floors such as in plant rooms and car parks; also for restoration or refurbishment projects to match period architecture.
- 5G nb Nickel bronze** – for use in pedestrian areas; versions are available to suit a variety of floor finishes including ceramic or vinyl tiles, marble, paviers, terrazzo, resin, carpet or wood; K23 series is for use with flexible sheet flooring such as vinyl; K2401 is for use with trowel applied composition flooring.
- 5G ss Stainless steel** – for use in high specification applications including food preparation, prison cells, showers and areas where high corrosion resistance is a requirement.

Note

Direct connection gratings, shown in Section 6G, are for use where a gully body is not required; they look identical to Vari-Level gratings when installed, but are machined to enable direct connection to pipework using proprietary couplings.

L2106

Stainless steel grating



Vari-Level gratings

Cast iron – BS EN 1561

Sherardized, matt finish

For use in **unfinished** floors such as in service and parking areas and plant rooms; also for restoration or refurbishment projects to match period architecture.

Connections

For use with bodies shown in section 5B, membrane clamping collars shown in section 5C and accessories shown in section 5X.

K2103 CI

Standard circular grating



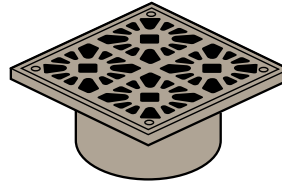
K2501

Light vehicular traffic areas



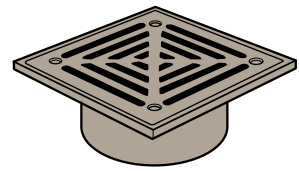
L2501 CI

Decorative floral pattern



L2601

Light vehicular traffic areas



Spec. Code	Overall dia./width mm	Overall length mm	Overall height mm	Throat dia. inches	Free area cm ²	Max. aperture width mm	Load rating class	kg
K2103 CI	155	–	54	4	58	7	K3	1.7
K2501	176	–	60	4	85	11	L15	1.8
L2501 CI	150	150	57	4	60	14	K3	2.3
L2601	150	150	57	4	55	7	L15	1.7

For information on flow rates please contact our Technical Services Department.

Options

Suffix

A Asphalt membrane clamp (stainless steel)
(for use in asphalt/composition finished floors – K2501 only).

H Fitted with Pin Torx screws for security applications.

See section 5X for a range of accessories including filter buckets, removable bottle trap and height extensions.

Vari-Level gratings

Nickel bronze – BS EN 1982

Satin finish

Durable, superbly finished and particularly suited to areas with high volume of pedestrian traffic (K23 and K34 series have sherardized cast iron frame).

Connections

For use with bodies shown in section 5B, membrane clamping collars shown in section 5C and accessories shown in section 5X.

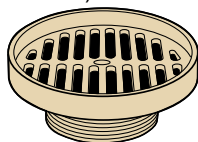
K21 series

For use with tiled or epoxy resin floors



K2201

Indirect waste connector (grating not secured)



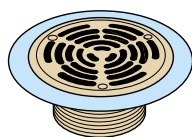
K23 series

For use with flexible sheet flooring such as vinyl



K2401

For use with trowel applied composition flooring. 4mm flange depth



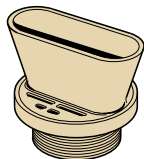
K3101

Reduces risk of blockages in channels. Removable dome protrudes 30mm



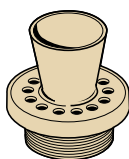
K2601

To take multiple indirect waste pipes; with peripheral grating (funnel not secured)



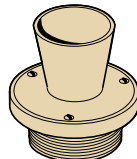
K2701

To take single indirect waste pipe; with peripheral grating (funnel not secured)



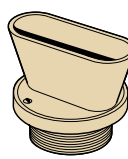
K3301

To take single indirect waste pipe; with peripheral cover and vermin guard



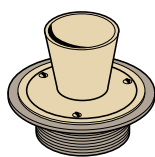
K3302

To take multiple indirect waste pipes; with peripheral cover and vermin guard



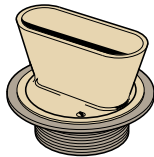
K3401

For use with flexible sheet flooring such as vinyl; with peripheral cover and vermin guard



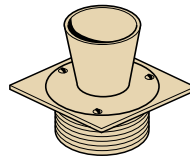
K3402

For use with flexible sheet flooring such as vinyl; with peripheral cover and vermin guard



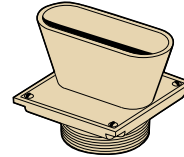
L2801

To take single indirect waste pipe; with peripheral cover and vermin guard



L2803

To take multiple indirect waste pipes; with peripheral cover and vermin guard



Spec. Code	Overall size mm	Overall height mm	Throat dia. inches	Free area cm ²	Max. aperture width mm	Load rating class	kg
K2101	135	48	4	40	6	K3	1.0
K2102	135	55	3	40	6	K3	1.0
K2103	152	53	4	58	6	L15	1.5
K2201	176	72	4	73	7	L15	2.5
K2301	142	54	3	32	7	L15	1.2
K2302	176	60	4	48	6	L15	2.0
K2303	250	58	4	106	6	L15	4.1
K2401	152	53	4	58	6	L15	1.9
K3101	135	78 inc. dome	4	45	16	L15	1.0

Spec. Code	Overall size at FFL mm	Overall size above FFL mm	Depth below FFL mm	Free area cm ²	kg
K2601	176 dia	222L x 82W x 96H	72	42	4.1
K2701	176 dia	108 dia x 96H	72	48	3.2
K3301	150 dia	101 dia x 101H	53	23	2.7
K3302	150 dia	222L x 82W x 96H	53	42	3.7
K3401	176 dia	101 dia x 101H	60	12	3.3
K3402	176 dia	222L x 82W x 96H	60	21	4.2
L2801	150 sq	101 dia x 101H	48	12	3.4
L2803	150 sq	222L x 82W x 96H	57	21	4.4

For information on flow rates please contact our Technical Services Department.

Options

- H** Fitted with Pin Torx screws for security applications (not K2201, K2601 or K2701).
- I** Tapped to provide a direct connection for waste pipes – specify size BSP, 1" or 2" (applies to K2103, K2401; K2101, K2102 and K2303 may be tapped 1" only; K2301 may be tapped 1" or 1.5"; K2302 may be tapped 2" or 3"; K2103 may also be tapped 3").

See section 5X for a range of accessories including filter buckets, removable bottle trap and height extensions.

Vari-Level gratings

Nickel bronze – BS EN 1982

Satin finish

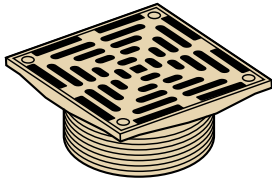
Durable, superbly finished and particularly suited to areas with high volume of pedestrian traffic.

Connections

For use with bodies shown in section 5B, membrane clamping collars shown in section 5C and accessories shown in section 5X.

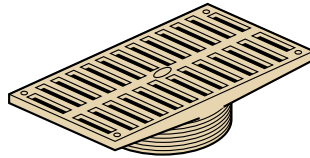
L21 series

For use with tiled or epoxy resin floors



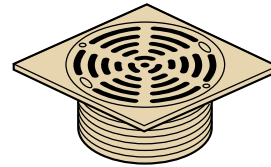
L22 series

Rectangular



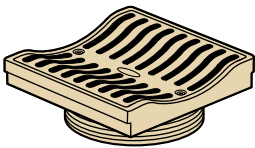
L2301

Square framed



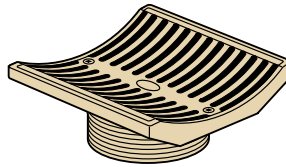
L2402

Contoured to match Johnson 4200 ceramic tile



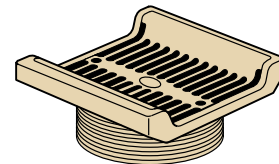
L2404

Contoured to match Pilkington/Wooliscroft 2302 / Gail 4420 ceramic tile



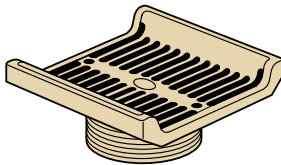
L2406

Contoured to match Platt 2300 ceramic tile



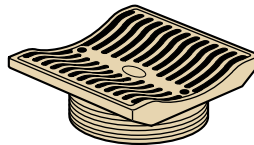
L2407

Contoured to match Ruabon ceramic tile



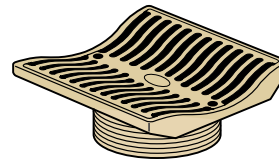
L2408

Contoured to match Ceramic ceramic tile



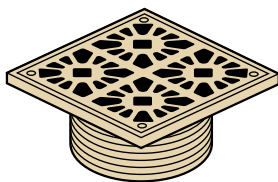
L2409

Contoured to match Strata Buchtal 4420/54420 ceramic tile



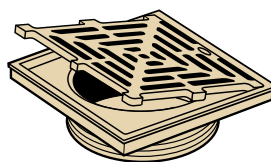
L2501

Decorative floral pattern



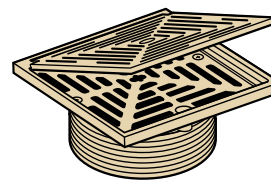
L3001

Hinged



L5301/L5401

Grating concealed by solid hinged cover. L5401 version has sealed cover



Spec. Code	Overall width mm	Overall length mm	Overall height mm	Throat dia. inches	Free area cm ²	Max. aperture width mm	Load rating class	kg
L2101	101	101	45	3	30	6	K3	0.9
L2102	135	135	53	4	60	6	L15	1.7
L2103	150	150	57	4	82	8	L15	1.9
L2104	201	201	70	4	156	8	L15	3.9
L2201	102	204	57	3	66	8	L15	1.8
L2202	125	430	70	4	155	6	L15	5.6
L2301	150	150	48	4	40	6	L15	1.3
L2402	115	115	58	3	32	6	L15	1.5
L2404	150	150	70	3	90	6	L15	1.9
L2406	150	150	75	4	90	6	L15	2.0
L2407	150	150	73	3	92	6	L15	2.0
L2408	150	150	71	4	81	6	L15	2.3
L2409	150	150	70	3	90	6	L15	2.0
L2501	150	150	57	4	60	13	L15	2.1
L3001	161	161	60	4	92	7	L15	2.3
L5301	150	150	55	4	44	4	L15	2.6
L5401	150	150	55	4	44	4	L15	2.6

Options

H Fitted with Pin Torx screws for security applications (not L3001).

I Tapped to provide a direct connection for waste pipes (L2301 only – 1" BSP size available).

See section 5X for a range of accessories including filter buckets, removable bottle trap and height extensions.

Vari-Level gratings

Stainless steel – Grade 304

Satin finish

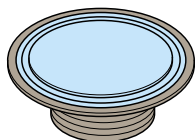
For use in high specification applications including food preparation, showers and areas where high corrosion resistance is a requirement. In applications such as swimming pools or having an aggressive atmosphere, grade 316 is recommended and is available on request (K18, K23 and K34 series have sherardized cast iron frame).

Connections

For use with bodies shown in section 5B, membrane clamping collars shown in section 5C and accessories shown in section 5X.

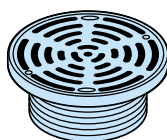
K1807

With peripheral slot, for use with flexible sheet flooring such as vinyl



K2107

For use with tiled or epoxy resin floors



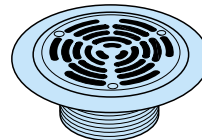
K2307

For use with flexible sheet flooring such as vinyl



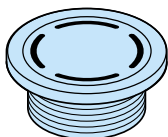
K2407

For use with trowel applied composition flooring. 6mm flange depth



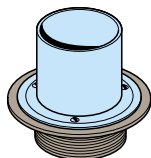
K2801

Flanged with peripheral slot. Self securing (see Note 1)



K3407

Condensate funnel (polished) with vermin guard, for use with flexible sheet flooring such as vinyl



Spec. Code	Overall size mm	Overall height mm	Throat dia. inches	Free area cm ²	Max. aperture width mm	Load rating class	kg
K1807	176	60	4	26	6	K3	2.0
K2107	150	53	4	58	6	L15	1.0
K2307	176	60	4	48	6	L15	2.0
K2407	150	53	4	58	6	L15	2.5
K2801	140	50	4	13	7	L15	1.4

Spec. Code	Overall size at FFL mm	Overall size above FFL mm	Depth below FFL mm	Throat dia. inches	Free area cm ²	kg
K3407	176 dia	101 dia x 100H	60	4	35	2.3

Options

- H** Fitted with Pin Torx* screws for security applications (except K1807 and K2801).
**Pin Hex screws if grade 316 specified.*
- I** Tapped to provide a direct connection for waste pipes – specify size BSP, 1" or 2" (applies to K2107, K2307 and K2407 only).
- M** Made of grade 316 stainless steel (not K1807; K23 and K34 series have sherardized cast iron frame).
- P** Polished (K3407 is polished as standard).

See section 5X for a range of accessories including filter buckets, removable bottle trap and height extensions.

Note

K2801 cannot be used with GC, GD or GP series bodies.

Vari-Level gratings

Stainless steel – Grade 304

Satin finish

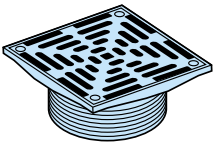
For use in high specification applications including showers and areas where high corrosion resistance is a requirement. In applications such as swimming pools or having an aggressive atmosphere, grade 316 is recommended and is available on request.

Connections

For use with bodies shown in section 5B, membrane clamping collars shown in section 5C and accessories shown in section 5X.

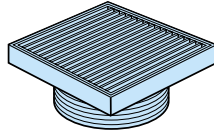
L21 series

For use with tiled or epoxy resin floors



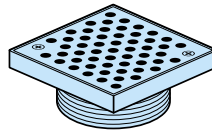
L29 series

Streamline heel-proof reverse wedge profile grating is secured with Pin Hex screws



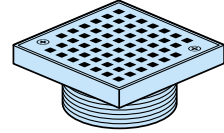
L31 series

Square perforated grating (circular apertures)



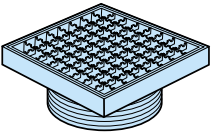
L32 series

Square perforated grating (square apertures)



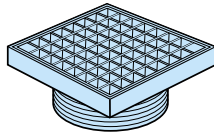
L33 series

Anti-slip mesh (grating not secured)



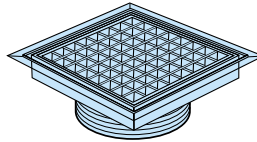
L34 series

Plain mesh (grating not secured)



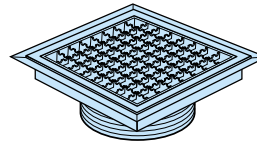
L35 series

Plain mesh (grating not secured), for use with flexible sheet flooring such as vinyl



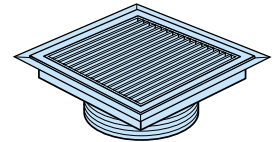
L36 series

Anti-slip mesh (grating not secured), for use with flexible sheet flooring such as vinyl



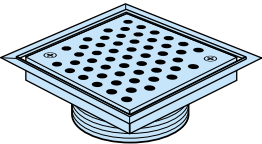
L37 series

For use with flexible sheet flooring such as vinyl. Streamline heel-proof reverse wedge profile grating is secured with pin hex screws



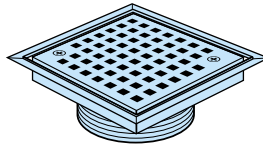
L38 series

Perforated grating (circular apertures) for use with flexible sheet flooring such as vinyl



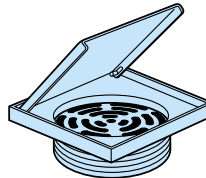
L39 series

Perforated grating (square apertures) for use with flexible sheet flooring such as vinyl



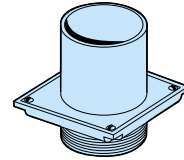
L53 series

Hinged cover with a circular non-secured grating inside. To open press centre of side furthest from Wade logo



L2701

Condensate funnel with vermin guard (polished)



Spec. Code	Overall width mm	Overall length mm	Overall height mm	Throat dia. inches	Free area cm ²	Max. aperture width mm	Load rating class	kg
L2105	101	101	43	3	30	5	K3	0.7
L2106	147	147	57	4	82	8	L15	1.4
L2901	150	150	75	4	105	5	L15	1.6
L2902	200	200	75	4	216	5	L15	2.5
L3101	150	150	75	4	34	8	K3	1.6
L3102	200	200	75	4	75	8	K3	2.5
L3201	150	150	75	4	38	8	K3	1.6
L3202	200	200	75	4	74	8	K3	2.5
L3301	150	150	75	4	150	23	L15	1.8
L3302	200	200	75	4	290	23	L15	2.8
L3401	150	150	75	4	150	23	L15	1.8
L3402	200	200	75	4	290	23	L15	2.8
L3501	173	173	98	4	150	23	L15	2.8
L3502	223	223	98	4	290	23	L15	3.8
L3601	173	173	98	4	150	23	L15	2.8
L3602	223	223	98	4	290	23	L15	3.8
L3701	173	173	98	4	105	5	L15	2.7
L3702	223	223	98	4	216	5	L15	3.6
L3801	173	173	98	4	34	8	K3	2.6
L3802	223	223	98	4	75	8	K3	3.5
L3901	173	173	98	4	38	8	K3	2.6
L3902	223	223	98	4	74	8	K3	3.5

Spec. Code	Overall width mm	Overall length mm	Overall height mm	Throat dia. inches	Free area cm ²	Max. aperture width mm	Load rating class	kg
L5305	135	135	55	4	31	6	K3	1.1
L5308	147	147	55	4	31	6	K3	1.3

Spec. Code	Overall size at FFL mm	Overall size above FFL mm	Depth below FFL mm	Throat dia. inches	Free area cm ²	kg
L2701	150 sq	101 dia x 100H	57	4	35	2.2

Options

H Fitted with Pin Torx* screws for security applications (except L29, L33, L34, L35, L36, L37 and L53 series).
*Pin Hex screws if grade 316 specified.

M Made of grade 316 stainless steel.

P Polished (L2701 is polished as standard – not L33, L34, L35 or L36 series).

See section 5X for a range of accessories including filter buckets, removable bottle trap and height extensions.

Vari-Level security gratings

Stainless steel – Grade 304

Satin finish

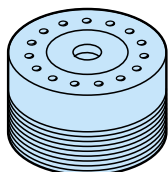
For use in high specification applications including prison cells, showers and areas where high corrosion resistance is a requirement. In applications such as swimming pools or having an aggressive atmosphere, grade 316 is recommended and is available on request. (K36 series have sherardized cast iron frame).

Connections

For use with bodies shown in section 5B, membrane clamping collars shown in section 5C and accessories shown in section 5X.

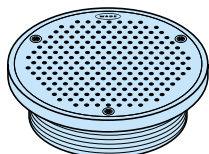
K2901

Security area drainage
(see Note 2)



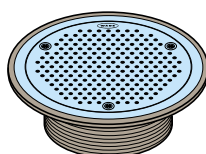
K3504

Security area drainage
(4mm apertures) with
Pin Torx* screws



K3604

Security area drainage for use
with flexible sheet flooring
such as vinyl (4mm apertures)
with Pin Torx* screws



Spec. Code	Overall dia. mm	Overall height mm	Throat dia. inches	Free area cm ²	Max. aperture width mm	Load rating class	kg
K2901	114	50	4	30 plug out 2 plug in	62 plug out 4 plug in	L15	1.4
K3504	150	54	4	20	4	K3	1.3
K3604	176	60	4	20	4	K3	1.8

Options

M Made of grade 316 stainless steel (K36 series have sherardized cast iron frame).

**Pin Hex screws if grade 316 specified.*

P Polished.

See section 5X for a range of accessories including filter buckets, removable bottle trap and height extensions.

Notes

1. K2901 cannot be used with GC, GD or GP series bodies.
2. Many other Vari-Level gratings and access covers have optional facility to add Pin Torx security screws by specifying option 'H' (see other grating and access cover pages in Sections 5G and 5V).
3. K35 and K36 series can be manufactured with 3mm apertures but the drainage performance is unlikely to be adequate, so such versions are not offered as a standard product.

Vari-Level access covers

For use with bodies shown in section 5B, membrane clamping collars shown in section 5C and accessories in section 5X

Wade offers a comprehensive range of high quality access covers, sometimes referred to as cleanouts or rodding eyes, which complement wall and floor finishes.

Vari-Level threaded access covers are height adjustable with a fine thread to enable accurate installation at floor level.

Please refer to the product information for the selected body to ensure compatibility and to obtain height adjustability dimensions.

Most covers are sealed; 'SuperSeal' covers have additional benefits of being quick release and double sealed as illustrated opposite.

Vari-Level covers may also be connected to pipework and proprietary gullies by means of adaptors shown in Section 5X.

This section of the catalogue comprises separate pages for different materials as follows:

5V ci Ductile iron – for use in unfinished floors such as in plant rooms and car parks; also for restoration or refurbishment projects to match period architecture.

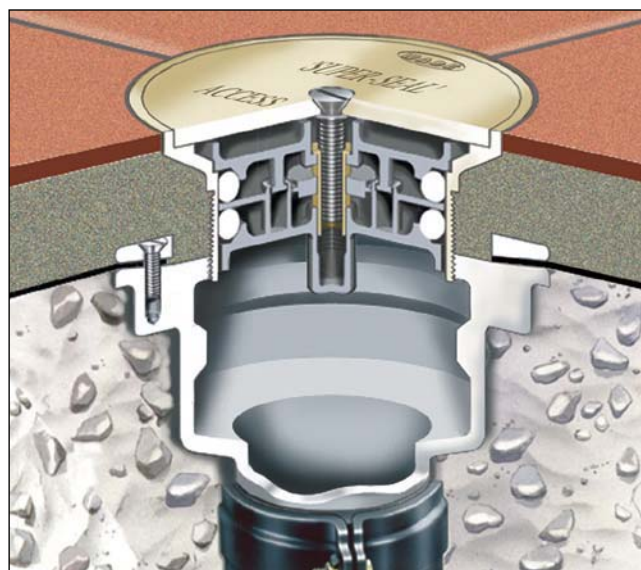
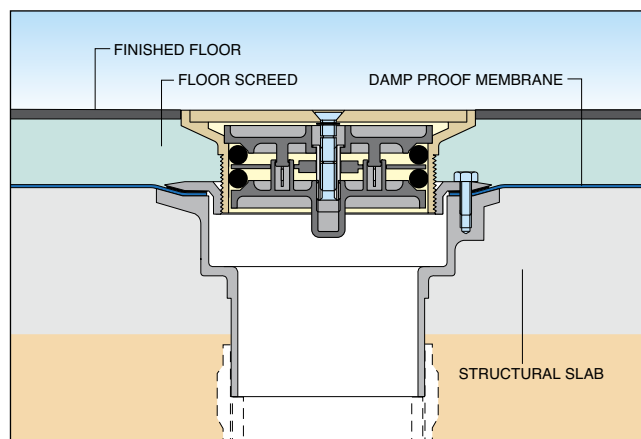
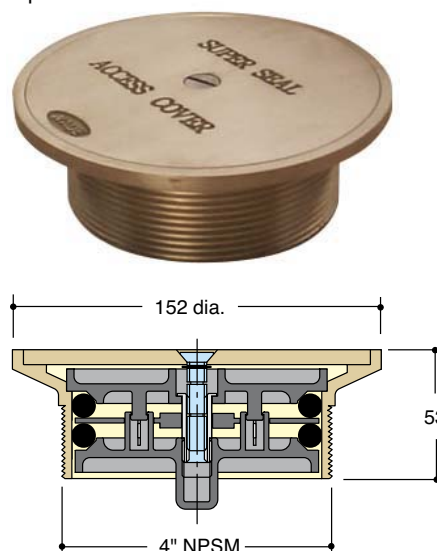
5V nb Nickel bronze – for use in pedestrian areas; versions are available to suit a variety of floor finishes including ceramic or vinyl tiles, marble, paviers, terrazzo, resin, carpet or wood; K51 series is for use with flexible sheet flooring such as vinyl; K5301 is for use with trowel applied composition flooring.

5V ss Stainless steel – for use in high specification applications including food preparation, prison cells, and areas where high corrosion resistance is a requirement.

Notes

1. Direct connection access covers, shown in Section 6V, are for use where a gully body is not required; they look identical to Vari-Level access covers when installed, but are machined to enable direct connection to pipework.
2. Double-sealed access covers for man entry and general purpose access covers are shown in Section 11.

K5501 'Superseal'



Vari-Level access covers

Ductile iron – BS EN 1563 + 1564

Sherardized, matt finish (with cast iron frame)

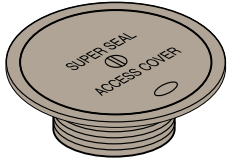
For use in **unfinished** floors such as in service and parking areas and plant rooms; also for restoration or refurbishment projects to match period architecture.

Connections

For use with bodies shown in section 5B, membrane clamping collars shown in section 5C and accessories shown in section 5X.

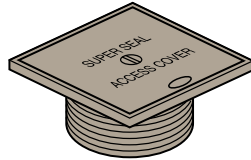
K5801

'SuperSeal' (double sealed)



L5701

'SuperSeal' (double sealed)



Spec. Code	Overall dia./width mm	Overall length mm	Overall height mm	Throat dia. inches	Load rating class	kg
K5801	176	-	60	4	M125	2.7
L5701	150	150	57	4	L15	3.6

Options

H Fitted with Pin Torx screws for security applications.

Vari-Level access covers

Nickel bronze – BS EN 1982

Satin finish

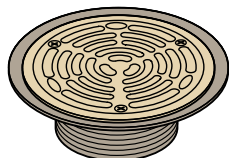
Durable, superbly finished and particularly suited to areas with high volume of pedestrian traffic. (K51 and K56 series have sherardized cast iron frame).

Connections

For use with bodies shown in section 5B, membrane clamping collars shown in section 5C and accessories shown in section 5X.

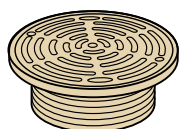
K51 series

Gasketed – for use with flexible sheet flooring such as vinyl



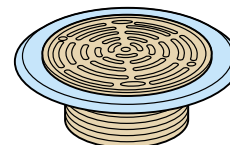
K52 series

Gasketed – for use with tiled or epoxy resin floors



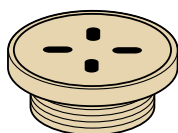
K5301

Gasketed – for use with trowel applied composition flooring. 4mm flange depth



K5401

Plug with 'O' ring seal for use in plunge and foot baths



K5501

'SuperSeal' (double sealed) – for use with tiled or epoxy resin floors



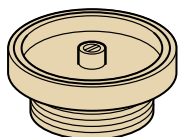
K5601

'SuperSeal' (double sealed) – for use with flexible sheet flooring such as vinyl



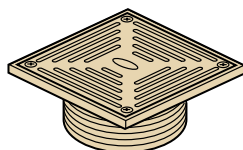
K5701

'SuperSeal' (double sealed). Recessed (19mm depth) for flooring material



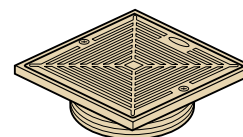
L5101

Gasketed – for use with tiled or epoxy resin floors



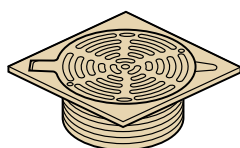
L5103

Gasketed – for use with tiled or epoxy resin floors



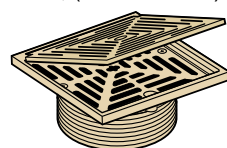
L5201

Hinged cover in square frame (unsealed)



L5301/L5401

Hinged cover with grating inside. L54 version has sealed cover, (L53 unsealed)



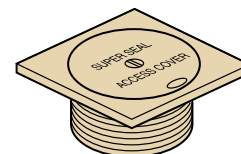
L5501

'SuperSeal' (double sealed)



L5601

'SuperSeal' (double sealed)



Spec. Code	Overall dia./width mm	Overall length mm	Overall height mm	Throat dia. inches	Load rating class	kg
K5101	142	-	54	3	L15	1.2
K5102	176	-	60	4	L15	2.5
K5103	250	-	58	4	L15	4.5
K5201	135	-	55	3	L15	1.2
K5202	135	-	48	4	L15	1.3
K5203	150	-	48	4	L15	2.0
K5301	152	-	53	4	L15	2.1
K5401	155	-	54	4	L15	2.3
K5501	152	-	53	4	L15	1.8
K5601	176	-	60	4	L15	2.3
K5701	152	-	65	4	L15	2.4
L5101	135	135	42	4	L15	1.5
L5103	160	160	60	4	L15	2.7
L5201*	150	150	48	4	L15	1.5
L5301*	150	150	55	4	L15	2.6
L5401	150	150	55	4	L15	2.6
L5501	150	150	57	4	L15	2.6
L5601	150	150	48	4	L15	1.7

*Unsealed versions.

Options

- H** Fitted with Pin Torx screws for security applications (not K5401).
- I** Tapped to provide a direct connection for waste pipes – specify size BSP – 1/4", 1/2", or 2" (applies to K51 series, K52 series, L51 series and K5301; K5103 and L5103 may also be tapped 3" or 4" BSP; K5102 may also be tapped 3" BSP).

See section 5X for a range of accessories including filter buckets, removable bottle trap and height extensions.

Vari-Level access covers

Stainless steel – Grade 304

Satin finish

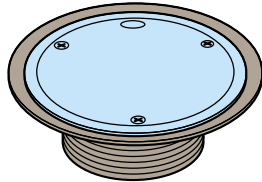
For use in high specification applications including prison cells, showers and areas where high corrosion resistance is a requirement. In applications such as swimming pools or having an aggressive atmosphere, grade 316 is recommended and is available on request (K51 and K56 series have sherardized cast iron frame).

Connections

For use with bodies shown in section 5B, membrane clamping collars shown in section 5C and accessories shown in section 5X.

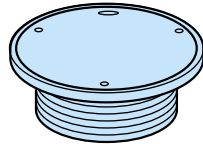
K5107

For use with flexible sheet flooring such as vinyl (unsealed)



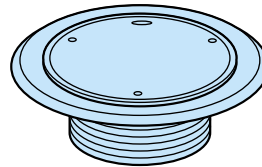
K5207

Gasketed – for use with tiled or epoxy resin floors



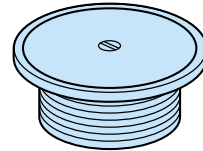
K5307

Gasketed – for use with trowel applied composition flooring. 6mm flange depth



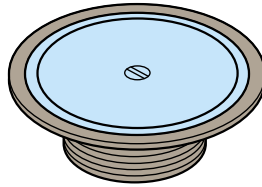
K5507

'SuperSeal' (double sealed) – for use with tiled or epoxy resin floors



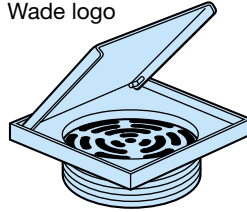
K5607

'SuperSeal' (double sealed) – for use with flexible sheet flooring such as vinyl



L53 series

Hinged cover with a circular non-secured grating inside. (unsealed). To open press centre of side furthest from Wade logo



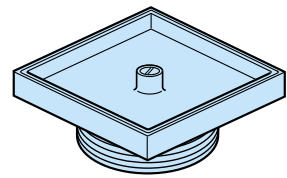
L5507

'SuperSeal' (double sealed) – for use with tiled or epoxy resin floors



L5807

'SuperSeal' (double sealed). Recessed for flooring material (22mm recess depth)



Spec. Code	Overall dia./width mm	Overall length mm	Overall height mm	Throat dia. inches	Load rating class	kg
K5107*	176	–	60	4	L15	1.9
K5207	150	–	53	4	L15	1.2
K5307	150	–	53	4	L15	1.8
K5507	150	–	53	4	L15	1.4
K5607	176	–	60	4	L15	2.4
L5305*	135	135	55	4	K3	1.1
L5308*	150	150	60	4	K3	1.3
L5507	147	147	57	4	L15	1.9
L5807	150	150	75	4	L15	2.0

*Unsealed versions.

Options

- H** Fitted with Pin Torx* screws for security applications (not L53 series).
*Pin Hex screws if grade 316 specified.
- I** Tapped to provide a direct connection for waste pipes – specify size BSP – 1¼", 1½", or 2" (applies to K5107, K5207 and K5307 only).
- M** Made of grade 316 stainless steel (K51 and K56 series have sherardized cast iron frame).
- P** Polished.

See section 5X for a range of accessories including filter buckets, removable bottle trap and height extensions.

Vari-Level accessories

For use with Vari-Level gratings and access covers

Bolt-on funnels

For use with any Vari-Level grating, shown in section 5G, or Multi-Level grating shown in section 8, for applications where provision is required for indirect waste or condensate drainage in addition to floor drainage.

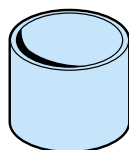
U501

To take single indirect waste pipe



U502/U511

To take single indirect waste pipe



Spec. Code	Overall width mm	Overall length mm	Overall height mm	Free area cm ²	Material	kg
U501	101	101	101	23	Nickel bronze	1.0
U502	101	101	101	23	Cast iron (sherardized)	1.2
U511	101	101	100	92	Stainless steel (polished)	0.9
U601	82	222	96	42	Nickel bronze	2.0
U602	85	225	96	42	Cast iron (sherardized)	2.2

U601/U602

To take multiple indirect waste pipes; (for use with gratings. min. 150mm dia/sq)

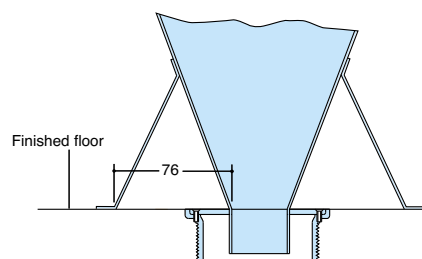
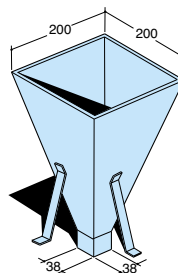


Portable funnel

To accept discharge from boiling pans etc; for use with any grating modified to suit. Please specify grating.

Spec. Code	Overall height mm	Free area cm ²	Material	kg
U1202	250	12	Stainless steel	1.6
U1203*	250	12	Stainless steel	1.6

*U1203 is version without a spout.

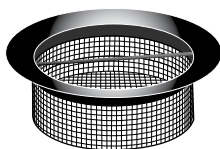


Filter bucket – nylon 6

Used to intercept debris, valuables etc.

UP701

For use with gratings with 4" throat (†not K18, K28, K29 or K3211) (0.1 kg).



UP702

Deep version for use with Vari-Level gratings (not†) with bodies C5 and D4 adaptors T702, T901 and extensions U1 series (0.1 kg).

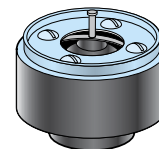
Note A filter bucket cannot be fitted if a backwater valve or removable bottle trap is used.

Backwater valve – brass (U703) or stainless steel (U704) and neoprene

For installation in vertical orientation where protection from backflow is required. Maximum flow rate of 0.3 l/s.

U703

For use with grating/cover with 3" throat.



U704

For use with grating/cover with 4" throat.

If fitting into a Vari-Level grating/cover, a minimum of a U102 or UP104 extension will be required to prevent the backwater valve fouling on the Vari-Level body, unless body is C or D series with minimum 3" outlet.

(Not K28 or K29 gratings) (0.2 kg).

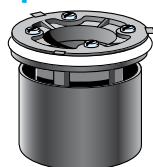
Note

A filter bucket or U1404 cannot be fitted if a backwater valve is used.

Removable bottle trap – plastic

U1404

50mm seal. To fit inside a grating or body, with 4" throat/outlet. Max. flow rate of 1 l/s.



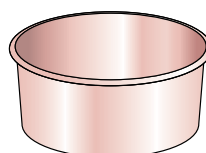
Notes

- U1404 cannot be used with K18, K28 or K29.
- U1404 is incompatible with 'SuperSeal' access covers.
- A Vari-Level extension is required to accommodate the U1404 with the following bodies:
*C2, *C3, D10, D11, G1-G10 series.
(*4" outlet versions do not require an extension)
- Frequent cleaning will be necessary in applications where very high amounts of hair and other waste materials are present.
- When used with direct connection gratings/access covers shown in section 6, connecting pipe must be vertical for min. distance of 100mm below the grating/access cover.

Outlet plug – plastic

UX9901

Tapered to temporarily plug 100mm inlet or outlet during installation

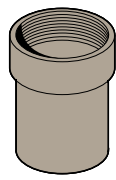


Vari-Level accessories and adaptors

For use with Vari-Level gratings and access covers

Adaptors to pipework

Vari-Level gratings, shown in section 5G and access covers shown in section 5V, when used without a body, may be connected to pipework by means of a cast iron adaptor, as shown in the following tables:



3" throat – Adaptors for use with Vari-Level gratings and access covers with 3" throat.

3" Throat Spec. Code	Pipework system	Max. O.D. mm	Overall length mm	kg
T701	Plastic 82mm O.D.	106	127	1.2
T714	Plastic 75mm O.D.	130	130	2.4
T712	Plastic 110mm O.D.	130	115	2.5
T801	Cast iron BS 416 75mm	106	127	1.9
T712	Cast iron BS 416 100mm	130	115	2.5
T701	Cast iron DIN 19522 SMU 75mm	106	127	1.2
T712	Cast iron DIN 19522 100mm	130	115	2.5
T911	Clay Supersleve 100mm	122	145	3.5

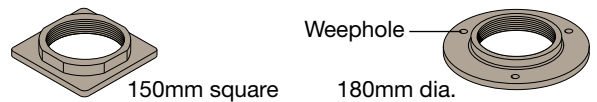
4" throat – Adaptors for use with Vari-Level gratings and access covers with 4" throat.

4" Throat Spec. Code	Pipework system	Max. O.D. mm	Overall length mm	kg
T703	Plastic 82mm O.D.	130	115	1.4
T704	Plastic 75mm O.D.	130	115	1.7
TP702*	Plastic 110mm O.D.	120	152	0.4
T792	Cast iron BS 416 50mm	130	180	3.3
T803	Cast iron BS 416 75mm	130	115	1.7
T702	Cast iron BS 416 100mm	130	100	1.5
T792	Cast iron DIN 19522 50mm	130	180	3.3
T703	Cast iron DIN 19522 SMU 75mm	130	115	1.4
T702	Cast iron DIN 19522 100mm	130	100	1.5
T901	Clay Supersleve 100mm	122	130	2.6
T742	2" BSP (T742 has 2" BSP male thread)	130	220	3.3

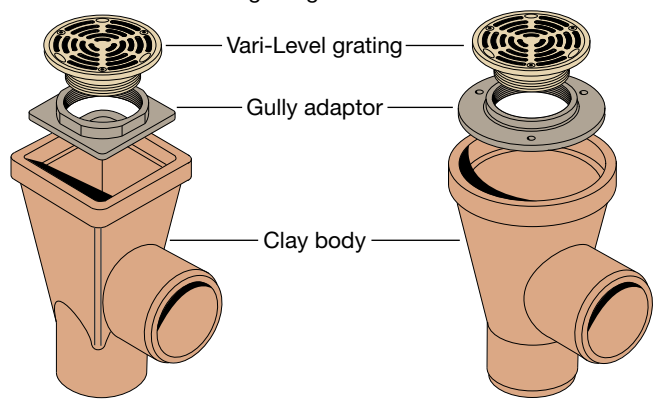
*Plastic (ABS) version.

Gully adaptors – cast iron

Vari-Level gratings, shown in section 5G, may be connected to proprietary clay or PVC gully bodies by means of a gully adaptor. Increased range of height adjustability is obtainable by reversing the adaptor.

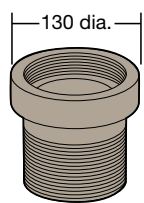


- T1302** For use with 3" throat grating/cover
- T1402** For use with 3" throat grating/cover
- T1301** For use with 4" throat grating/cover
- T1401** For use with 4" throat grating/cover



Extensions – cast iron

Used to increase the height between the top of a body and finished floor level.



Note
Extensions may be stacked to obtain extra height, but access to trap/plug will be restricted when used with G/GC/GD/GP/QG series trapped bodies.

- U101** For use with Vari-Level gratings/covers with 3" throat and bodies with 3" inlet.
- U102/U103/U104/UP104** For use with Vari-Level gratings/funnels/covers with 4" throat and bodies with 4" inlet.
- U201** For use with Vari-Level gratings/funnels/covers with 4" throat and bodies with 3" inlet.

U208 For use with Vari-Level gratings/covers with 4" throat and bodies series G2-G10 to provide height increase of only 25mm. **Notes:** 1. When retro-fitting to G2-G10 series bodies, 3 no. M6 tapped holes must be drilled on site. To order U208 as a factory fitted option with pre-drilled holes, add suffix 'E' to the body Spec. Code; 2. This bolt-on extension cannot be stacked.

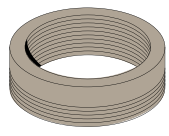
Spec. Code	Thread size NPSM		Overall height mm	Height gained		Max O.D. mm	kg
	Female	Male		Min.	Max.		
U101	3"	3"	127	42	120	106	1.6
U102	4"	4"	60	37	55	130	1.1
U103	4"	4"	100	40	95	130	1.6
U104	4"	4"	152	85	145	130	2.5
U201	4"	3"	115	40	110	130	1.5
U208	4"	-	25	25	25	188	0.9
UP104*	4"	4"	152	36	145	120	0.4

*Plastic (ABS) version for use with GP series bodies

Note
Additional height dimensions given in the table should be added to the maximum and minimum dimensions given in the 'height adjustability' section for the selected body. The figures shown for minimum height gained cannot be obtained with some body types unless the extension is cut in length. See our web site for details.

Reducing bush – cast iron

U1101 To enable 3" throat gratings/covers to be used in Vari-Level bodies/adaptors with 4" inlet.



Note
Height of grating/cover will be increased by 15mm min./27mm maximum

Vari-Level accessories and adaptors

For use with Vari-Level bodies, gratings and access covers

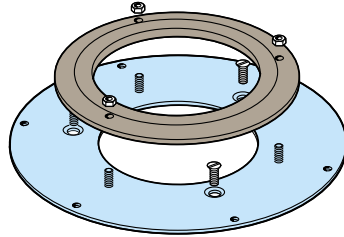
Installation adaptors

For use with G2-G10 series trapped bodies.

U15

Stainless steel support plate and cast iron membrane clamp to adapt G2-G10 series bodies for installation in a timber deck with tile floor finish.

To specify/order – add suffix 'D' to the body Spec. Code.

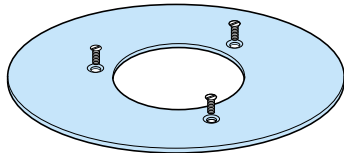


245mm dia.

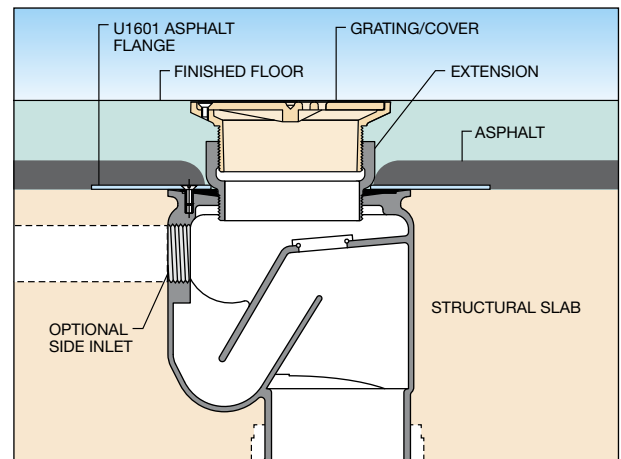
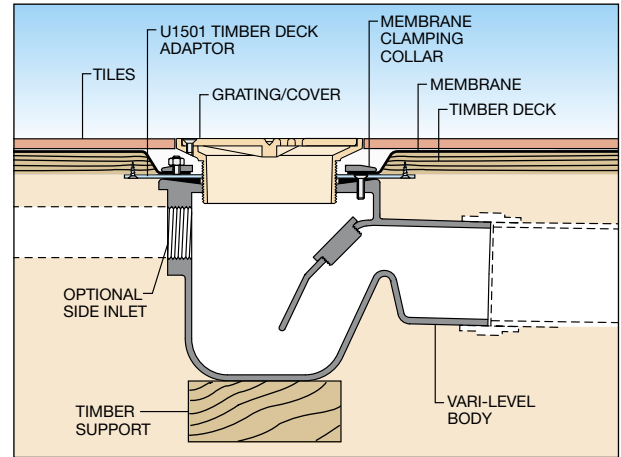
U16

Stainless steel asphalt flange for use with G2-G10 series bodies.

To specify/order – add suffix 'A' to the body Spec. Code.



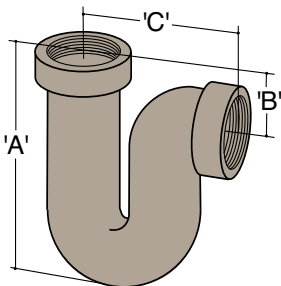
300mm dia.



Deep seal 'P' trap – cast iron

U902, U903, U904

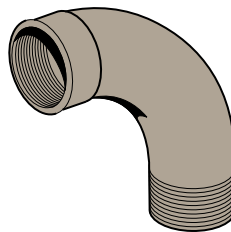
Malleable iron 90° swept bend 2" BSP male to 2" BSP female connection.



90° Swept bend

U1301

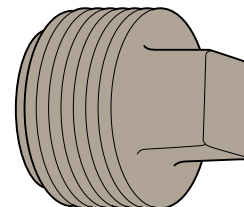
Malleable iron 90° swept bend 2" BSP male to 2" BSP female connection.



Male hollow plug

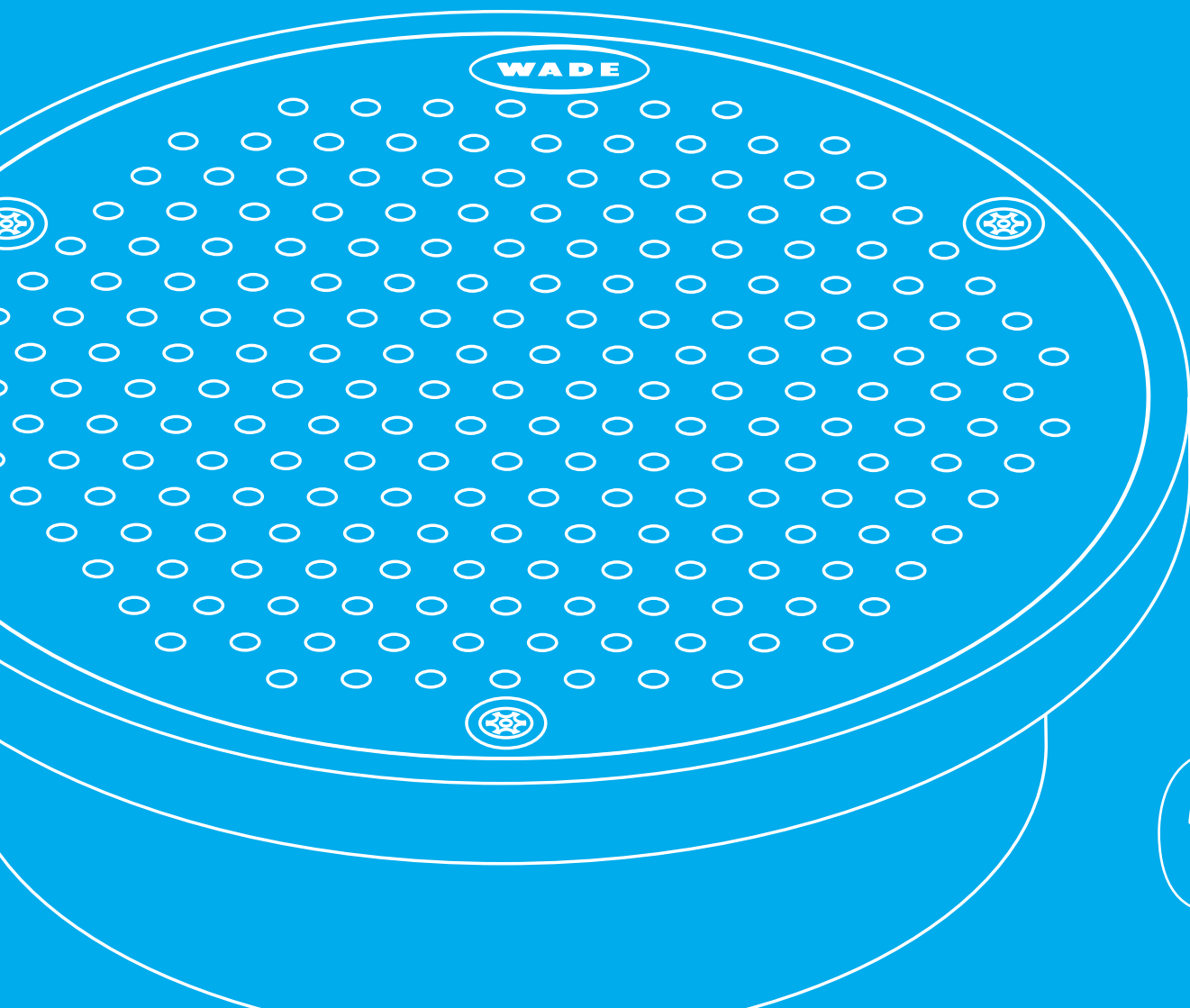
U1802

Malleable iron 2" BSP male hollow plug. Used to block a side inlet; must be sealed.



Spec. Code	Pipe size mm	Inlet & outlet thread size	Water seal mm	A	B	C	kg
U902	50	2" BSP	102	234	50	162	4.9
U903	75	3" BSP	125	318	70	210	11.0
U904	100	4" BSP	132	379	90	250	15.2

Direct connection



6

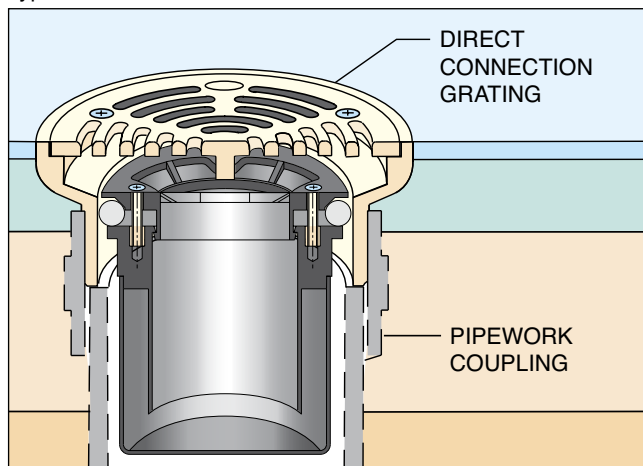
Direct connection

For applications where a gully body is not required, Wade offers a comprehensive range of high quality gratings and access covers which complement floor finishes.



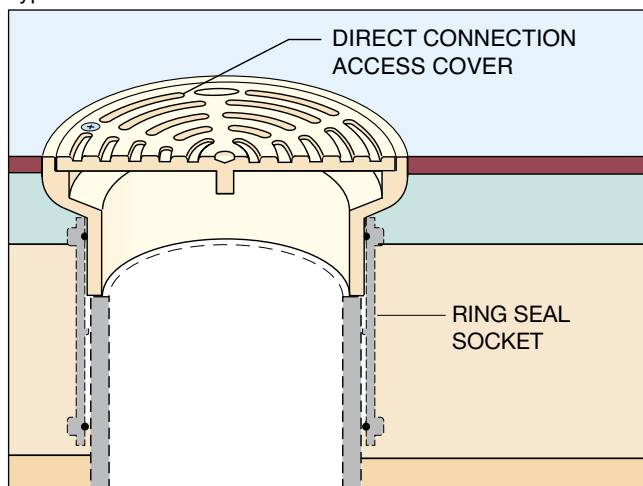
K2193
Nickel bronze grating
with U1404 removable
push-in bottle trap

Typical installation



K5293
Nickel bronze
access cover

Typical installation



Direct connection versions look identical to Vari-Level versions when installed, but are machined to enable direct connection to pipework by means of proprietary couplings or ring seal sockets.

Mostly, one version of grating or access cover is suitable for all pipework of the same size, but tolerances of castings and pipework are such that in some cases different versions of the same style and size of grating or access cover are required for different pipework – this is made clear by the Spec. Codes in the tables on the following pages.

This section of the technical manual comprises separate sub-sections for gratings (6G) and access covers (6V) which are divided into separate pages for different materials as follows:

- 6G ci** **Cast iron** – for use in unfinished floors
- 6V ci** such as in plant rooms and car parks and also for restoration or refurbishment projects where there is a requirement to match period architecture.
- 6G nb** **Nickel bronze** – for use in pedestrian areas;
- 6V nb** versions are available to suit a variety of floor finishes including ceramic or vinyl tiles, marble, paviers, terrazzo, resin, carpet or wood; flexible sheet flooring such as vinyl and trowel applied composition flooring.
- 6G ss** **Stainless steel** – for use in high specification applications including food preparation, prison cells, showers and areas where high corrosion resistance is a requirement.
- 6V ss**

Direct connection gratings

Cast iron BS EN 1561

Sherardized, matt finish

For use in **unfinished** floors such as service and parking areas and plant rooms; also for restoration or refurbishment projects where there is a requirement to match period architecture.

Connections

To complete the connection a coupling or ring seal socket is required, as illustrated on page 6.

Gratings can also be connected to 100mm Supersleve clay pipe using adaptor T1103 shown in Section 10.

For connection to other pipework systems, couplings are generally available from the pipework supplier.

K2193 CI

Standard circular grating



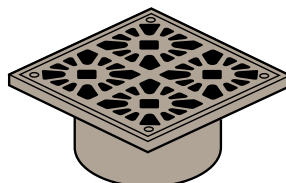
K2591

Light vehicular traffic areas



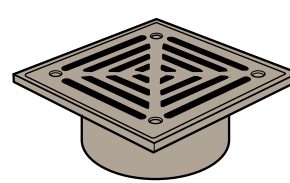
L2591 CI

Decorative floral pattern



L2691

Light vehicular traffic areas



Spec. Code	Pipework System	Nom. dia.	Overall dia/width mm	Overall length mm	Overall height mm	Throat dia. inches	Free area cm ²	Max. aperture width mm	Load rating class	kg
K2193 CI	C.I. + P*	100	155	-	54	4	58	7	K3	1.7
K2591	C.I. + P*	100	176	-	60	4	85	11	L15	1.8
L2591 CI	C.I. + P*	100	150	150	57	4	60	14	K3	2.3
L2691	C.I. + P*	100	150	150	57	4	55	7	L15	1.7

* C.I. + P means cast iron BS 416/DIN 19522 and plastic. Gratings have a spigot length of 25mm minimum.

Options

Suffix

- A** Asphalt membrane clamp (stainless steel) (for use in asphalt/composition finished floors – K2591 only).
- H** Fitted with Pin Torx screw(s) for security applications.

See section 5X for a range of accessories including filter buckets and removable bottle trap.

Direct connection gratings

Nickel bronze BS EN 1982

Satin finish

Durable, superbly finished and particularly suited to areas with high volume of pedestrian traffic.

Connections

To complete the connection a coupling or ring seal socket is required, as illustrated on page 6.

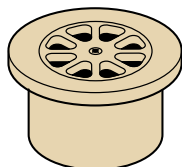
Gratings with 4" throat can also be connected to 100mm Supersleve clay pipe using adaptor T1103 shown in Section 10.

Gratings with 3" throat can also be connected to 75mm DIN 19522 Ensign cast iron pipe using adaptor T1603 shown in Section 10.

For connection to other pipework systems, couplings are generally available from the pipework supplier.

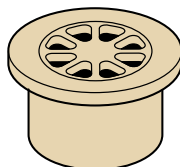
K1941

With central securing screw



K2041

Self securing



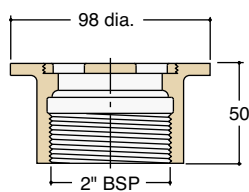
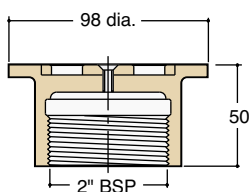
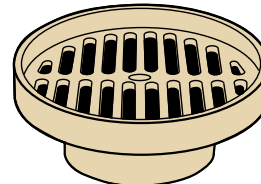
K21 series

For use with tiled or epoxy resin floor



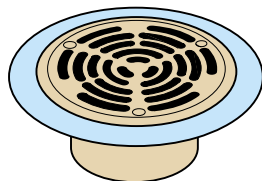
K2291

Indirect waste connector (grating not secured)



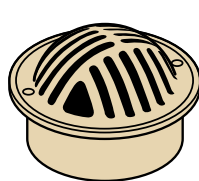
K2491

For use with trowel applied composition flooring. 4mm flange depth



K3191

Reduces risk of blockages in channels. Removable dome protrudes 30mm



Spec. Code	Pipework System	Nom. dia.	Overall dia/width mm	Overall height mm	Throat dia. inches	Free area cm ²	Max. aperture width mm	Load rating class	kg
K1941	C.I. + P*	50	98	50	2" BSP female	11	14	K3	0.9
K2041	C.I. + P*	50	98	50	2" BSP female	11	14	K3	0.9
K2142	Plastic	75	135	55	3	40	6	K3	1.0
K2191	C.I. + P*	100	135	48	4	40	6	K3	1.0
K2193	C.I. + P*	100	155	54	4	58	6	L15	1.5
K2291	C.I. + P*	100	176	72	4	73	7	L15	2.5
K2491	C.I. + P*	100	150	48	4	58	6	L15	1.9
K3191	C.I. + P*	100	135	78 (inc. dome)	4	45	16	L15	1.0

* C.I. + P means cast iron BS 416/DIN 19522 and plastic.

Gratings have a spigot length of 25mm minimum.

Versions for use with flexible sheet flooring such as vinyl are shown on page 6G nb sf.

Options

Suffix

H Fitted with Pin Torx screw(s) for security applications (not K2041 or K2291).

I Tapped to provide a direct connection for waste pipes – specify size BSP, 1" or 2" (applies to K2193, K2591; K2142 and K2191 may be tapped 1" only; K2193 may also be tapped 3").

See section 5X for a range of accessories including filter buckets and removable bottle trap.

Direct connection gratings

Nickel bronze BS EN 1982

Satin finish

Durable, superbly finished and particularly suited to areas with high volume of pedestrian traffic.

Connections

To complete the connection a coupling or ring seal socket is required, as illustrated on page 6.

Gratings can also be connected to 100mm Supersleve clay pipe using adaptor T1103 shown in Section 10.

For connection to other pipework systems, couplings are generally available from the pipework supplier.

K2691

To take multiple indirect waste pipes; with peripheral grating (Funnel not secured)



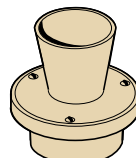
K2791

To take single indirect waste pipe; with peripheral grating (Funnel not secured)



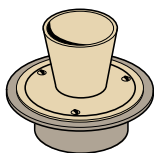
K3391

To take single indirect waste pipe; with peripheral cover and vermin guard



K3491

For use with flexible sheet flooring such as vinyl; with peripheral cover and vermin guard



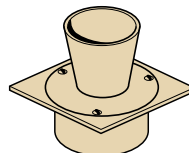
K3492

For use with flexible sheet flooring such as vinyl; with peripheral cover and vermin guard



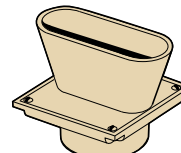
L2891

To take single indirect waste pipe; with peripheral cover and vermin guard



L2893

To take multiple indirect waste pipes; with peripheral cover and vermin guard



Spec. Code	Pipework System	Nom. dia.	Overall size at FFL mm	Overall size above FFL mm	Depth below FFL mm	Throat dia. inches	Free area cm ²	kg
K2691	C.I. + P*	100	176 dia.	224L x 85W x 99H	72	4	55	4.1
K2791	C.I. + P*	100	176 dia.	108 dia. x 96H	72	4	48	3.2
K3391	C.I. + P*	100	150 dia.	101 dia. x 101H	48	4	23	2.7
K3491	C.I. + P*	100	176 dia.	101 dia. x 101H	60	4	12	3.3
K3492	C.I. + P*	100	176 dia.	224L x 85W x 99H	60	4	21	4.2
L2891	C.I. + P*	100	150 sq.	101 dia. x 101H	48	4	12	3.4
L2893	C.I. + P*	100	150 sq.	225L x 85W x 96 H	57	4	21	4.4

* C.I. + P means cast iron BS 416/DIN 19522 and plastic.

Gratings have a spigot length of 25mm minimum.

For information on flow rates please contact our Technical Services Department.

Options

Suffix

H Fitted with Pin Torx screw(s) for security applications (not K2691 or K2791).

See section 5X for a range of accessories including filter buckets and removable bottle trap.

Direct connection gratings

Nickel bronze BS EN 1982

Satin finish

Durable, superbly finished and particularly suited to areas with high volume of pedestrian traffic.

Connections

To complete the connection a coupling or ring seal socket is required, as illustrated on page 6.

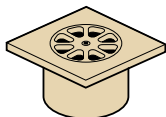
Gratings with 4" throat can also be connected to 100mm Supersleve clay pipe using adaptor T1103 shown in Section 10.

Gratings with 3" throat can also be connected to 75mm DIN 19522 Ensign cast iron pipe using adaptor T1603 shown in Section 10.

For connection to other pipework systems, couplings are generally available from the pipework supplier.

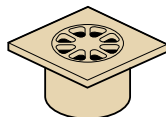
L1941

Securing screw – with 2" BSP female outlet



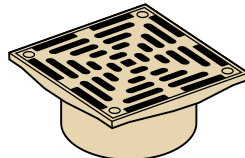
L2041

Self securing – with 2" BSP female outlet



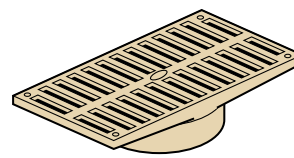
L21 series

For use with tiled or epoxy resin floor



L22 series

Rectangular



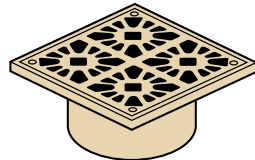
L2391

Square framed grating



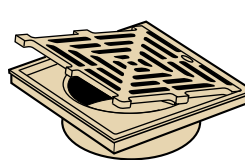
L2591

Decorative floral pattern



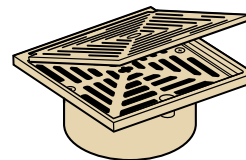
L3091

Hinged grating



L5391/L5491

Grating concealed by solid hinged cover. L5491 version has sealed cover



Spec. Code	Pipework System	Nom. dia.	Overall width mm	Overall length mm	Overall height mm	Throat dia. inches	Free area cm ²	Max. aperture width mm	Load rating class	kg
L1941	C.I. + P*	50	100	100	50	2" BSP female	11	14	K3	0.9
L2041	C.I. + P*	50	100	100	50	2" BSP female	11	14	K3	0.9
L2141	Plastic	82	101	101	45	3	30	6	K3	0.9
L2191	Cast iron BS 416	75	101	101	45	3	30	6	K3	0.9
L2192	C.I. + P*	100	135	135	53	4	60	6	L15	1.7
L2193	C.I. + P*	100	150	150	57	4	82	8	L15	1.9
L2194	C.I. + P*	100	201	201	70	4	156	8	L15	3.9
L2241	Plastic	82	102	204	57	3	66	8	L15	1.8
L2291	Cast iron BS 416	75	102	204	57	3	66	8	L15	1.8
L2292	C.I. + P*	100	125	430	70	4	155	6	L15	5.6
L2391	C.I. + P*	100	150	150	48	4	40	6	L15	1.3
L2591	C.I. + P*	100	150	150	57	4	60	13	L15	2.1
L3091	C.I. + P*	100	161	161	60	4	92	7	L15	2.3
L5391	C.I. + P*	100	150	150	55	4	44	4	L15	2.6
L5491	C.I. + P*	100	150	150	55	4	44	4	L15	2.6

* C.I. + P means cast iron BS 416/DIN 19522 and plastic.

Gratings have a spigot length of 25mm minimum.

Versions for use with flexible sheet flooring such as vinyl are shown on page 6G nb sf.

Options

Suffix

H Fitted with Pin Torx screw(s) for security applications (Not L2041).

I Tapped to provide a direct connection for waste pipes – (L2391 only – 1" BSP size available).

See section 5X for a range of accessories including filter buckets and removable bottle trap.

Direct connection gratings

Nickel bronze BS EN 1982

Satin finish

Durable, superbly finished gratings to provide drainage in a run of tile channel. Six styles of grating are available to match the contour of ceramic tiles in general use.

Connections

To complete the connection a coupling or ring seal socket is required, as illustrated on page 6.

Gratings with 4" throat can also be connected to 100mm Supersleve clay pipe using adaptor T1103 shown in Section 10.

Gratings with 3" throat can also be connected to 75mm DIN 19522 Ensign cast iron pipe using adaptor T1603 shown in Section 10.

For connection to other pipework systems, couplings are generally available from the pipework supplier.

L2442/L2492

Johnson 4200



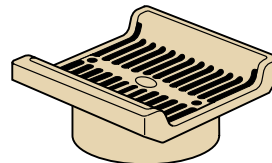
L2444/L2494

Pilkington/Wooliscroft 2302/
Gail 4420



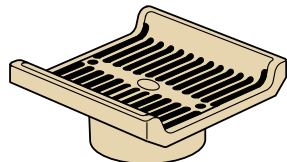
L2496

Platt 2300



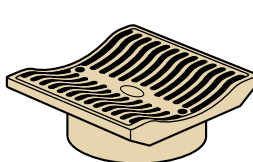
L2447/L2497

Ruabon



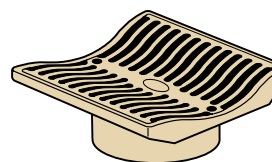
L2498

Keramic



L2449/L2499

Strata Buchtal 4420/54420



Spec. Code	Pipework System	Nom. dia.	Overall width mm	Overall length mm	Overall height mm	Throat dia. inches	Free area cm ²	Max. aperture width mm	Load rating class	kg
L2442	Plastic	82	115	115	58	3	32	6	L15	1.5
L2492	Cast iron BS 416	75	115	115	58	3	32	6	L15	1.5
L2444	Plastic	82	150	150	70	3	90	6	L15	1.9
L2494	Cast iron BS 416	75	150	150	70	3	90	6	L15	1.9
L2496	C.I. + P*	100	150	150	75	4	90	6	L15	2.0
L2447	Plastic	82	150	150	73	3	92	6	L15	2.0
L2497	Cast iron BS 416	75	150	150	73	3	92	6	L15	2.0
L2498	C.I. + P*	100	150	150	71	4	81	6	L15	2.3
L2449	Plastic	82	150	150	70	3	90	6	L15	2.0
L2499	Cast iron BS 416	75	150	150	70	3	90	6	L15	2.0

* C.I. + P means cast iron BS 416/DIN 19522 and plastic.

Gratings have a spigot length of 25mm minimum.

Versions for use with flexible sheet flooring such as vinyl are shown on page 6G nb sf.

Options

Suffix

H Fitted with Pin Torx screw(s) for security applications.

See section 5X for a range of accessories including filter buckets and removable bottle trap.

Direct connection gratings

Nickel bronze BS EN 1982

Satin finish

For use with flexible sheet flooring such as vinyl

Durable superbly finished and particularly suited to areas with high volume of pedestrian traffic (with sherardized cast iron frame).

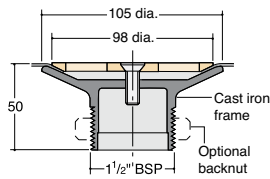
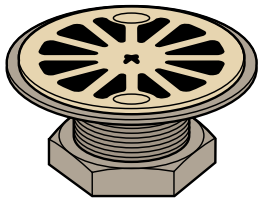
Connections

To complete the connection a coupling or ring seal socket is required, as illustrated on page 6.

For connection to other pipework systems, couplings are generally available from the pipework supplier.

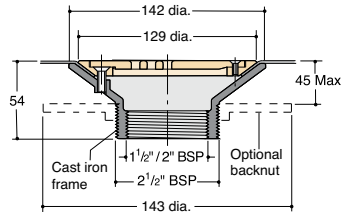
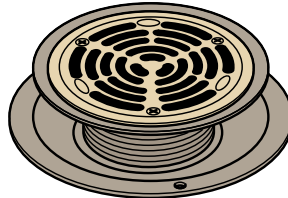
N1 series

For 40mm pipework



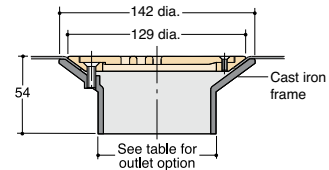
N2 series

For 40mm/50mm pipework



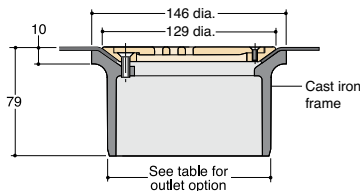
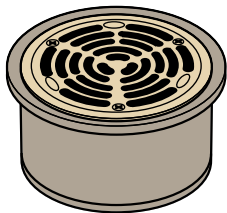
N3 series

For 75mm pipework



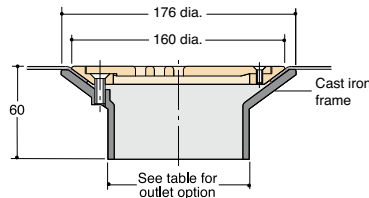
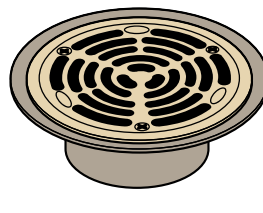
N4 series

For 100mm pipework



K2392

For 100mm pipework



Spec. Code	Pipework System	Nom. dia.	Throat dia. inches	Free area cm ²	Max. aperture width mm	Load rating class	kg
N111	Plastic	40	1 1/2" BSP	32	14	K3	0.6
N112**	Plastic	40	1 1/2" BSP	32	14	K3	0.7
N211	Plastic	40	1 1/2" BSP female	32	7	L15	1.4
N213**	Plastic	40	1 1/2" BSP female	32	7	L15	2.1
N215	Plastic	50	2" BSP female	32	7	L15	1.2
N217**	Plastic	50	2" BSP female	32	7	L15	1.9
N301	Cast iron BS 416	75	3"	32	7	L15	1.3
N303	Plastic	82	3"	32	7	L15	1.2
N305	Plastic DIN	75	3"	32	7	L15	1.3
N405	Cast iron BS 437	100	4"	32	7	L15	2.2
N410	Clay supersleve	100	4"	32	7	L15	2.2
K2392	C.I. + P*	100	4"	48	6	L15	2.0

* C.I. + P means cast iron BS 416/DIN 19522 and plastic.

**Versions with cast iron backnut for use in timber floors.

Gratings have a spigot length of 25mm minimum.

Options

Suffix

H Fitted with Pin Torx screw(s) for security applications.

I Tapped to provide a direct connection for waste pipes – specify size BSP (N2, N3 and N4 series may be tapped 1" or 1.5"; K2392 may be tapped 2" or 3").

See section 5X for a range of accessories including filter buckets and removable bottle trap.

Direct connection gratings

Stainless steel Grade 304

Satin finish

For use in high specification applications including food preparation, prison cells, showers and areas where high corrosion resistance is a requirement.

In applications such as swimming pools or having an aggressive atmosphere, grade 316 is recommended and is available on request (K18, K23 and K34 series have sherardized cast iron frame).

Connections

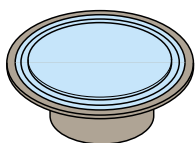
To complete the connection a coupling or ring seal socket is required, as illustrated on page 6.

Gratings can also be connected to 100mm Supersleve clay pipe using adaptor T1103 shown in Section 10.

For connection to other pipework systems, couplings are generally available from the pipework supplier.

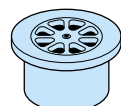
K1897

With peripheral slot, for use with flexible sheet flooring such as vinyl



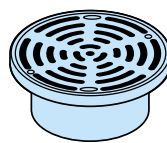
K1947

Securing screw – with 2" BSP female outlet



K2197

For use in tiled or epoxy resin floors



K2397

For use with flexible sheet flooring such as vinyl



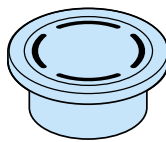
K2497

For use with trowel applied composition flooring. 6mm flange depth



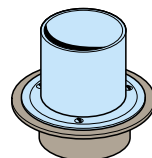
K2891

Flanged with peripheral slot. Self securing



K3497

Condensate funnel with vermin guard, for use with flexible sheet flooring such as vinyl, polished



Spec. Code	Pipework System	Nom. dia.	Overall dia/width mm	Overall height mm	Throat dia. inches	Free area cm ²	Max. aperture width mm	Load rating class	kg
K1897	C.I. + P*	100	176	60	4	26	6	K3	2.0
K1947	C.I. + P*	50	98	50	2" BSP female	11	14	K3	0.9
K2197	C.I. + P*	100	150	53	4	58	6	L15	1.0
K2397	C.I. + P*	100	176	60	4	48	6	L15	2.0
K2497	C.I. + P*	100	150	53	4	58	6	L15	2.5
K2891	C.I. + P*	100	140	50	4	13	7	L15	1.4

Spec. Code	Pipework System	Nom. dia.	Overall size at FFL mm	Overall size above FFL mm	Depth below FFL mm	Throat dia. inches	Free area cm ²	kg
K3497	C.I. + P*	100	176 dia.	101 dia. x 101H	60	4	35	2.3

* C.I. + P means cast iron BS 416/DIN 19522 and plastic.

Gratings have a spigot length of 25mm minimum.

Options

Suffix

H Fitted with Pin Torx* screw(s) for security applications (not K1897 or K2891).

*Pin Hex screws if grade 316 specified.

I Tapped to provide a direct connection for waste pipes – specify size BSP, 1" or 2" (applies to K2197, K2397 and K2497 only).

M Made of grade 316 stainless steel (Not K1897; K23 and K34 series have sherardized cast iron frame).

P Polished (K3497 is polished as standard).

See section 5X for a range of accessories including filter buckets and removable bottle trap.

Direct connection gratings

Stainless steel Grade 304

Satin finish

For use in high specification applications including food preparation, showers and areas where high corrosion resistance is a requirement.

In applications such as swimming pools or having an aggressive atmosphere, grade 316 is recommended and is available on request.

Connections

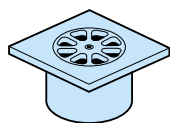
To complete the connection a coupling or ring seal socket is required, as illustrated on page 6.

Gratings can also be connected to 100mm Supersleve clay pipe using adaptor T1103 shown in Section 10.

For connection to other pipework systems, couplings are generally available from the pipework supplier.

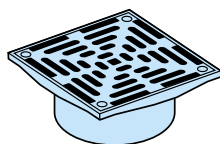
L1947

Securing screw – with 2" BSP female outlet



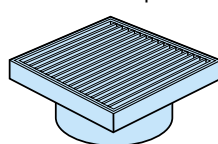
L2196

For use in tiled or epoxy resin floors



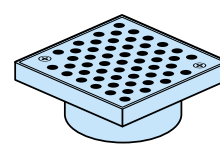
L29 series

Streamline heel-proof reverse wedge profile grating is secured with pin hex screws



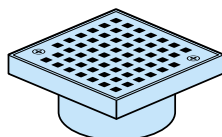
L31 series

Square perforated grating (circular apertures)



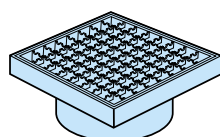
L32 series

Square perforated grating (square apertures)



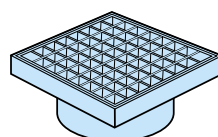
L33 series

Anti-slip mesh (grating not secured)



L34 series

Plain mesh (grating not secured)



Spec. Code	Pipework System	Nom. dia.	Overall width mm	Overall length mm	Overall height mm	Throat dia. inches	Free area cm ²	Max. aperture width mm	Load rating class	kg
L1947	C.I. + P*	50	100	100	50	2" BSP female	11	14	K3	0.9
L2196	C.I. + P*	100	147	147	57	4	82	8	L15	1.4
L2991	C.I. + P*	100	150	150	75	4	105	5	L15	1.6
L2992	C.I. + P*	100	200	200	75	4	216	5	L15	2.5
L3191	C.I. + P*	100	150	150	75	4	34	8	K3	1.6
L3192	C.I. + P*	100	200	200	75	4	75	8	K3	2.5
L3291	C.I. + P*	100	150	150	75	4	38	8	K3	1.6
L3292	C.I. + P*	100	200	200	75	4	74	8	K3	2.5
L3391	C.I. + P*	100	150	150	75	4	150	23	L15	1.8
L3392	C.I. + P*	100	200	200	75	4	290	23	L15	2.8
L3491	C.I. + P*	100	150	150	75	4	150	23	L15	1.8
L3492	C.I. + P*	100	200	200	75	4	290	23	L15	2.8

* C.I. + P means cast iron BS 416/DIN 19522 and plastic.

Gratings have a spigot length of 25mm minimum.

Options

H Fitted with Pin Torx* screws for security applications (except L29 series).

*Pin Hex screws if grade 316 specified.

M Made of grade 316 stainless steel.

P Polished (not L33 or L34 series).

See section 5X for a range of accessories including filter buckets and removable bottle trap.

Direct connection gratings

Stainless steel Grade 304

Satin finish

For use in high specification applications including food preparation, showers and areas where high corrosion resistance is a requirement.

In applications such as swimming pools or having an aggressive atmosphere, grade 316 is recommended and is available on request.

Connections

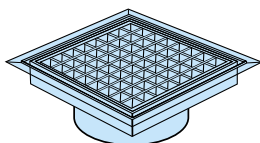
To complete the connection a coupling or ring seal socket is required, as illustrated on page 6.

Gratings can also be connected to 100mm Supersleve clay pipe using adaptor T1103 shown in Section 10.

For connection to other pipework systems, couplings are generally available from the pipework supplier.

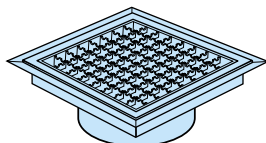
L35 series

Plain mesh (grating not secured), for use with flexible sheet flooring such as vinyl



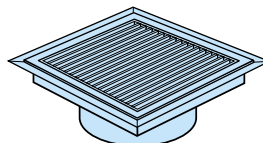
L36 series

Anti-slip mesh (grating not secured), for use with flexible sheet flooring such as vinyl



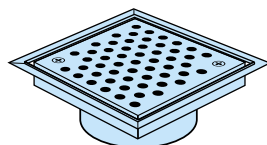
L37 series

For use with flexible sheet flooring such as vinyl. Streamline heel-proof reverse wedge profile grating is secured with Pin Hex screws



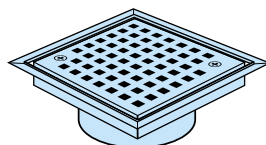
L38 series

Perforated grating (circular apertures) for use with flexible sheet flooring such as vinyl



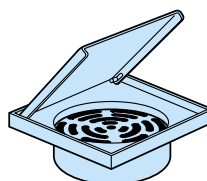
L39 series

Perforated grating (square apertures) for use with flexible sheet flooring such as vinyl



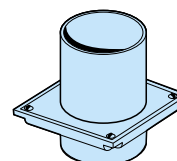
L53 series

Hinged cover with a circular non-secured grating inside



L2791

Condensate funnel with vermin guard, polished



Spec. Code	Pipework System	Nom. dia.	Overall width mm	Overall length mm	Overall height mm	Throat dia. inches	Free area cm ²	Max. aperture width mm	Load rating class	kg
L3591	C.I. + P*	100	173	173	98	4	150	23	L15	2.8
L3592	C.I. + P*	100	223	223	98	4	290	23	L15	3.8
L3691	C.I. + P*	100	175	175	98	4	150	23	L15	2.8
L3692	C.I. + P*	100	225	225	98	4	290	23	L15	3.8
L3791	C.I. + P*	100	175	175	98	4	105	5	L15	2.7
L3792	C.I. + P*	100	225	225	98	4	216	5	L15	3.6
L3891	C.I. + P*	100	173	173	98	4	34	8	K3	2.6
L3892	C.I. + P*	100	223	223	98	4	75	8	K3	3.5
L3991	C.I. + P*	100	173	173	98	4	38	8	K3	2.6
L3992	C.I. + P*	100	223	223	98	4	74	8	K3	3.5
L5395	C.I. + P*	100	135	135	55	4	31	6	K3	1.1
L5398	C.I. + P*	100	150	150	57	4	31	6	K3	1.3

Spec. Code	Pipework System	Nom. dia.	Overall size at FFL mm	Overall size above FFL mm	Depth below FFL mm	Throat dia. inches	Free area cm ²	kg
L2791	C.I. + P*	100	150 sq.	114 dia. x 100H	57	4	46	2.2

* C.I. + P means cast iron BS 416/DIN 19522 and plastic.

Gratings have a spigot length of 25mm minimum.

Options

H Fitted with Pin Torx* screws for security applications (except L35, L36, L37 and L53 series).

*Pin Hex screws if grade 316 specified.

M Made of grade 316 stainless steel.

P Polished (L2791 is polished as standard – not L35 or L36 series).

See section 5X for a range of accessories including filter buckets and removable bottle trap.

Direct connection security gratings

Stainless steel Grade 304

Satin finish

For use in high specification applications including food preparation, prison cells, showers and areas where high corrosion resistance is a requirement.

In applications such as swimming pools or having an aggressive atmosphere, grade 316 is recommended and is available on request (K36 series have sherardized cast iron frame).

Connections

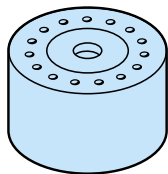
To complete the connection a coupling or ring seal socket is required, as illustrated on page 6.

Gratings can also be connected to 100mm Supersleve clay pipe using adaptor T1103 shown in Section 10.

For connection to other pipework systems, couplings are generally available from the pipework supplier.

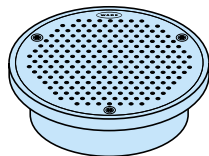
K29 series

Security area drainage



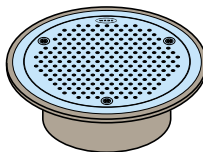
K3594

Security area drainage (4mm apertures) with Pin Torx* screws



K3694

Security area drainage for use with flexible sheet flooring such as vinyl (4mm apertures) with Pin Torx* screws



Spec. Code	Pipework System	Pipework Nom. dia.	Overall dia. mm	Overall height mm	Throat dia. inches	Free area cm ²	Max. aperture width mm	Load rating class	kg
K2941	Plastic	110	114	50	4	30 plug out 2 plug in	62 plug out 4 plug in	L15	1.4
K2991	Cast iron BS 416	100	114	50	4	30 plug out 2 plug in	62 plug out 4 plug in	L15	1.4
K3594	C.I. + P*	100	150	54	4	20	4	K3	1.0
K3694	C.I. + P*	100	176	60	4	20	4	K3	1.8

* C.I. + P means cast iron BS 416/DIN 19522 and plastic.

Gratings have a spigot length of 25mm minimum.

Options

Suffix

M Made of grade 316 stainless steel (K36 series have sherardized cast iron frame).

*Pin Hex screws if grade 316 specified.

P Polished.

See section 5X for a range of accessories including filter buckets and removable bottle trap.

Note

1. Many other direct connection gratings and access covers have optional facility to add Pin Torx security screws by specifying option 'H'. (See other grating and access cover pages in sections 6G and 6V).
2. K35 and K36 series can be manufactured with 3mm apertures but the drainage performance is unlikely to be adequate, so such versions are not offered as a standard product.

Direct connection access covers

Ductile iron BS EN 1563 + 1564

Sherardized, matt finish (cast iron frame)

For use in **unfinished** floors such as in service and parking areas and plant rooms; also for restoration or refurbishment projects where there is a requirement to match period architecture (K18, K23 and K34 series have sherardized cast iron frame).

Connections

To complete the connection a coupling or ring seal socket is required, as illustrated on page 6.

Covers can be connected to 100mm Supersleve clay pipe using adaptor T1103 shown in Section 10.

For connection to other pipework systems, couplings are generally available from the pipework supplier.

K5891

'SuperSeal' (double sealed)



L5791

'SuperSeal' (double sealed)



Spec. Code	Pipework System	Nom. dia.	Overall dia. mm	Overall length mm	Overall height mm	Throat dia. inches	Load rating class	kg
K5891	C.I. + P*	100	176	-	60	4	M125	2.7
L5791	C.I. + P*	100	150	150	57	4	L15	3.6

* C.I. + P means cast iron BS 416/DIN 19522 and plastic.

Covers have a spigot length of 25mm minimum.

Options

Suffix

H Fitted with Pin Torx screw for security applications.

Direct connection access covers

Nickel bronze BS EN 1982

Satin finish

Durable, superbly finished and particularly suited to areas with high volume of pedestrian traffic.

Connections

To complete the connection a coupling or ring seal socket is required, as illustrated on page 6.

Covers with 4" throat can also be connected to 100mm Supersleve clay pipe using adaptor T1103 shown in Section 10.

Covers with 3" throat can also be connected to 75mm DIN 19522 Ensign cast iron pipe using adaptor T1603 shown in Section 10.

For connection to other pipework systems, couplings are generally available from the pipework supplier.

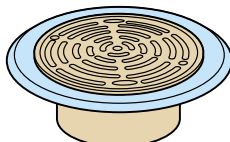
K52 series

Gasketed



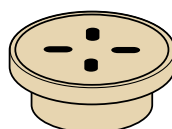
K5391

Gasketed – for use with trowel applied composition flooring. 4mm flange depth



K5491

Plug with 'O' ring seal for use in plunge and foot baths



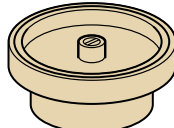
K5591

'SuperSeal' (double sealed)



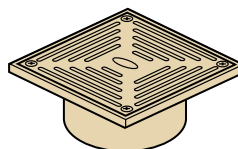
K5791

'SuperSeal' (double sealed). Recessed (19mm depth) for flooring material



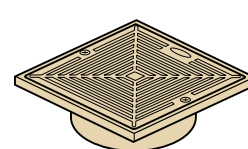
L5191

Gasketed



L5193

Gasketed



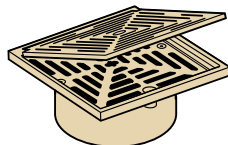
L5291

Hinged cover in square frame (unsealed)



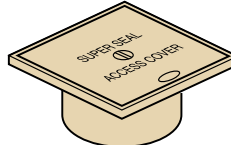
L5391/L5491

Hinged cover with grating inside. L54 has sealed cover. (L53 unsealed)



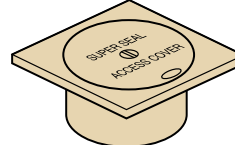
L5591

'SuperSeal' (double sealed)



L5691

'SuperSeal' (double sealed)



Spec. Code	Pipework System	Nom. dia.	Overall dia./width mm	Overall length mm	Overall height mm	Throat dia. inches	Load rating class	kg
K5241	Plastic	75	135	-	55	3	L15	1.2
K5292	C.I. + P*	100	135	-	48	4	L15	1.3
K5293	C.I. + P*	100	150	-	48	4	L15	2.0
K5391	C.I. + P*	100	152	-	53	4	L15	2.1
K5491	C.I. + P*	100	155	-	54	4	L15	2.2
K5591	C.I. + P*	100	152	-	53	4	L15	1.8
K5791	C.I. + P*	100	152	-	65	4	L15	2.4
L5191	C.I. + P*	100	135	135	42	4	L15	1.5
L5193	C.I. + P*	100	160	160	60	4	L15	2.7
L5291**	C.I. + P*	100	150	150	48	4	L15	1.5
L5391**	C.I. + P*	100	150	150	55	4	L15	2.5
L5491	C.I. + P*	100	150	150	55	4	L15	2.5
L5591	C.I. + P*	100	150	150	57	4	L15	2.5
L5691	C.I. + P*	100	150	150	48	4	L15	1.7

* C.I. + P means cast iron BS 416/DIN 19522 and plastic.

** Unsealed versions.

Covers have a spigot length of 25mm minimum.

Versions for use with flexible sheet flooring such as vinyl are shown on page 6V nb sf.

Options

Suffix

H Fitted with Pin Torx screw(s) for security applications (not K5491).

I Tapped to provide a direct connection for waste pipes – specify size BSP 1¼", 1½", or 2" (applies to K52 series, K5391 and L51 series; L5193 may also be tapped 3" or 4" BSP).

See section 5X for a range of accessories including filter buckets and removable bottle trap.

Direct connection access covers

Nickel bronze BS EN 1982

Satin finish

For use with flexible sheet flooring such as vinyl only

Durable, superbly finished and particularly suited to areas with high volume of pedestrian traffic (with sherardized cast iron frame).

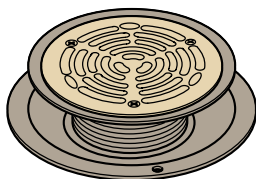
Connections

To complete the connection a coupling or ring seal socket is required, as illustrated on page 6.

For connection to other pipework systems, couplings are generally available from the pipework supplier.

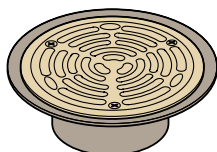
N2 series

Gasketed – for 40/50mm pipework



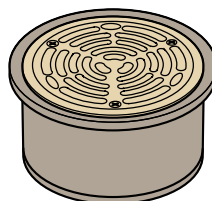
N3 series

Gasketed – for 75mm pipework



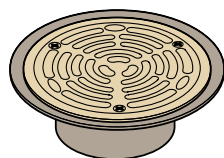
N4 series

Gasketed – for 100mm pipework



K5192

Gasketed – for 100mm pipework



K5691

'SuperSeal' (double sealed) – for 100mm pipework



Spec. Code	Pipework System	Nom. dia.	Overall dia. mm	Overall height mm	Throat dia. inches	Load rating class	kg
N212	Plastic	40	142	54	1/2" BSP female	L15	1.5
N214**	Plastic	40	142	54	1/2" BSP female	L15	2.0
N216	Plastic	50	142	54	2" BSP female	L15	1.4
N218**	Plastic	50	142	54	2" BSP female	L15	2.0
N302	Cast iron BS 416	75	142	54	3"	L15	1.3
N304	Plastic	82	142	54	3"	L15	1.2
N306	Plastic DIN	75	142	54	3"	L15	1.4
N404	Cast iron BS 437	100	146	79	4"	L15	2.2
N409	Clay supersleve	100	146	79	4"	L15	2.2
K5192	C.I. + P*	100	176	60	4"	L15	2.5
K5691	C.I. + P*	100	176	60	4"	L15	2.3

* C.I. + P means cast iron BS 416/DIN 19522 and plastic.

** Versions with cast iron backnut for use in timber floors.

Covers have a spigot length of 25mm minimum.

Options

Suffix

H Fitted with Pin Torx screw(s) for security applications.

I Tapped to provide a direct connection for waste pipes – specify size BSP, 1/4", 1/2" or 2" (applies to N2, N3 and N4 series and K5192).

See section 5X for a range of accessories including filter buckets and removable bottle trap.

Direct connection access covers

Stainless steel Grade 304

Satin finish

For use in high specification applications including food preparation, prison cells, showers and areas where high corrosion resistance is a requirement.

In applications such as swimming pools or having an aggressive atmosphere, grade 316 is recommended and is available on request (K51 and K56 series have sherardized cast iron frame).

Connections

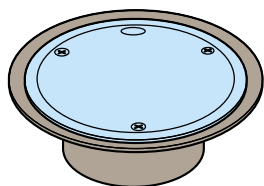
To complete the connection a coupling or ring seal socket is required, as illustrated on page 6.

Covers can be connected to 100mm Supersleve clay pipe using adaptor T1103 shown in Section 10.

For connection to other pipework systems, couplings are generally available from the pipework supplier.

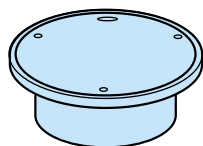
K5197

For use with flexible sheet flooring such as vinyl (unsealed)



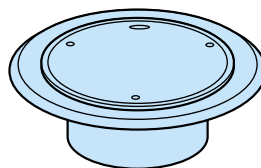
K5297

Gasketed – for use with tiled or epoxy resin floor



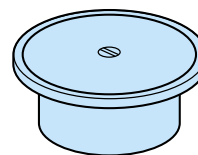
K5397

Gasketed – for use with trowel applied composition flooring. 6mm flange depth



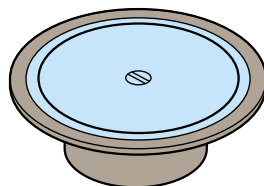
K5597

'SuperSeal' (double sealed) – for use with tiled or epoxy resin floor



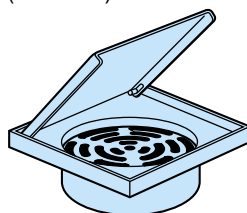
K5697

'SuperSeal' (double sealed) – for use with flexible sheet flooring such as vinyl



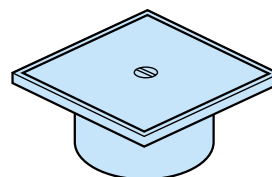
L53 series

Hinged cover with a circular non-secured grating inside (unsealed)



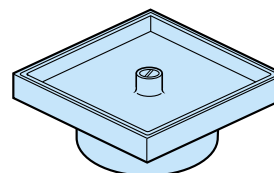
L5597

'SuperSeal' (double sealed) – for use with tiled or epoxy resin floor



L5897

'SuperSeal' (double sealed). Recessed for flooring material (22mm recess depth)



Spec. Code	Pipework System	Nom. dia.	Overall dia./width mm	Overall length mm	Overall height mm	Throat dia. inches	Load rating class	kg
K5197	C.I. + P*	100	176	–	60	4	L15	1.9
K5297	C.I. + P*	100	150	–	53	4	L15	1.2
K5397	C.I. + P*	100	150	–	53	4	L15	1.8
K5597	C.I. + P*	100	150	–	53	4	L15	1.4
K5697	C.I. + P*	100	176	–	60	4	L15	2.4
L5395	C.I. + P*	100	135	135	55	4	K3	1.1
L5398	C.I. + P*	100	150	150	55	4	K3	1.3
L5597	C.I. + P*	100	147	147	57	4	L15	1.9
L5897	C.I. + P*	100	150	150	75	4	L15	2.0

* C.I. + P means cast iron BS 416/DIN 19522 and plastic.

Covers have a spigot length of 25mm minimum.

Options

Suffix

H Fitted with Pin Torx* screw(s) for security applications (not L53 series).

*Pin Hex screw if grade 316 specified.

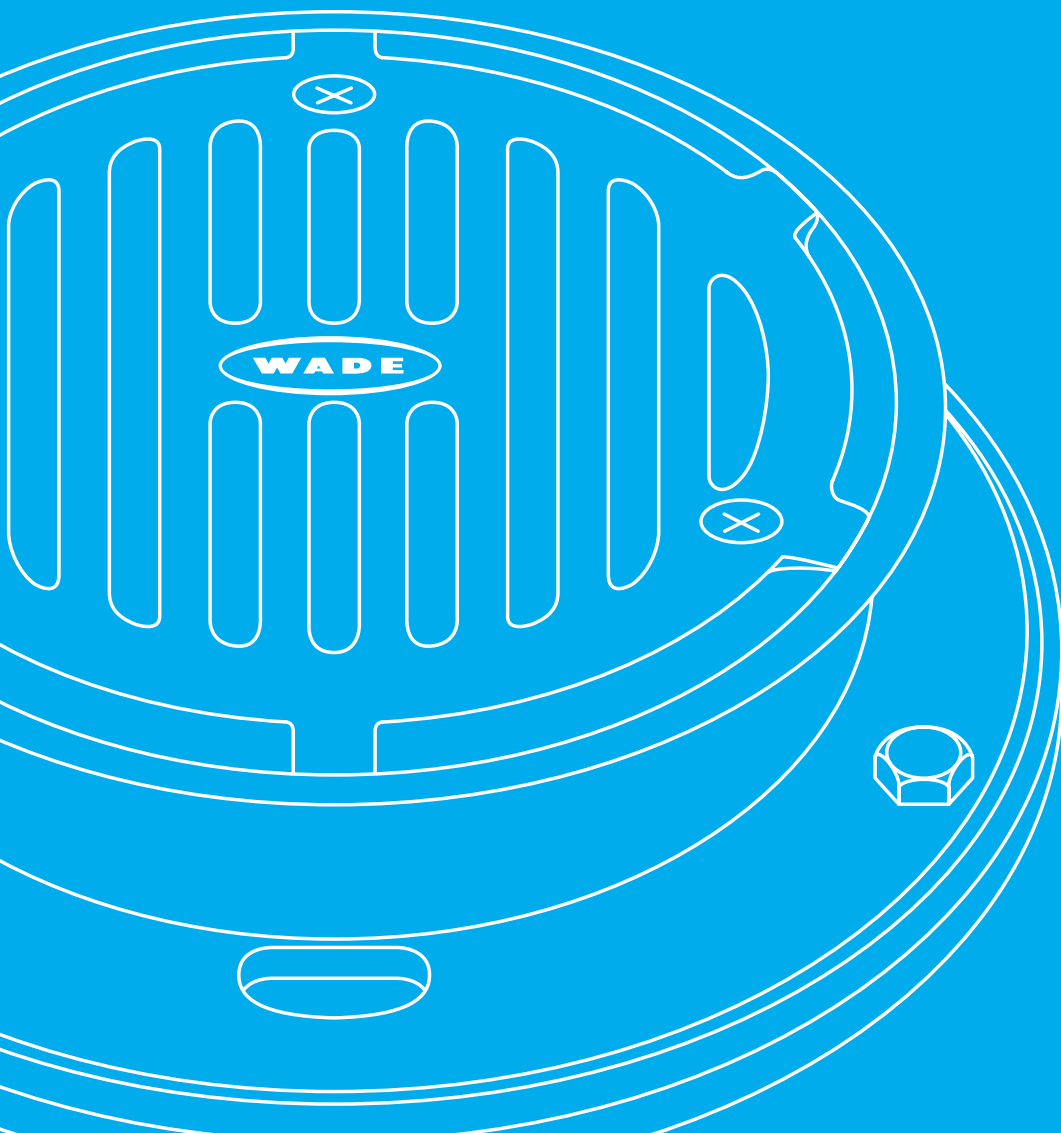
I Tapped to provide a direct connection for waste pipes – specify size BSP, 1 1/4", 1 1/2" or 2" (applies to K5297 and K5197).

M Made of grade 316 stainless steel (K51 and K56 series have sherardized cast iron frame).

P Polished.

See section 5X for a range of accessories including filter buckets and removable bottle trap.

Uni-Level and Multi-Level



7-8

Uni-Level and Multi-Level

Uni-Level are designed for applications with asphalt/composition finished floors. **Multi-Level** are height-adjustable gullies designed for use with unfinished (e.g. bare concrete) floors.



WB324



WB514

Uni-Level

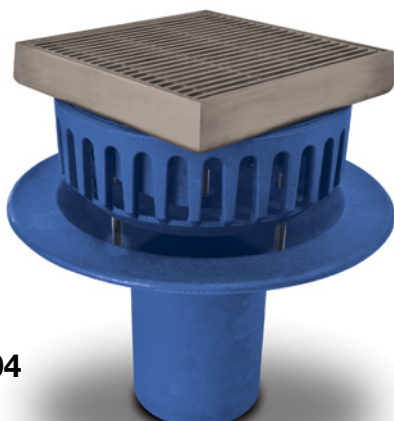
Uni-Level are designed for applications with asphalt/composition finished floors. These fixed height gully assemblies include a membrane clamping collar to ensure a watertight joint between the gully body and membrane.

Secured ductile iron gratings with load class L15 and M125, suitable for areas subject to car and light vehicular traffic, are removable without disturbing the membrane and provide excellent drainage performance.

See pages 7.1 to 7.2.



F204



WD704

Multi-Level

Multi-Level are height-adjustable gullies designed for use with unfinished (e.g. bare concrete) floors. Multi-Level gullies include the facility for a membrane clamping collar to ensure a watertight joint between the gully body and membrane.

Gratings are available to suit a range of requirements, from plant rooms to pedestrian areas, of ductile iron or stainless steel. Drainage is also provided at membrane level via weepholes or a slotted collar.

See pages 8.1 to 8.5.

Gullies for asphalt/composition finished floors

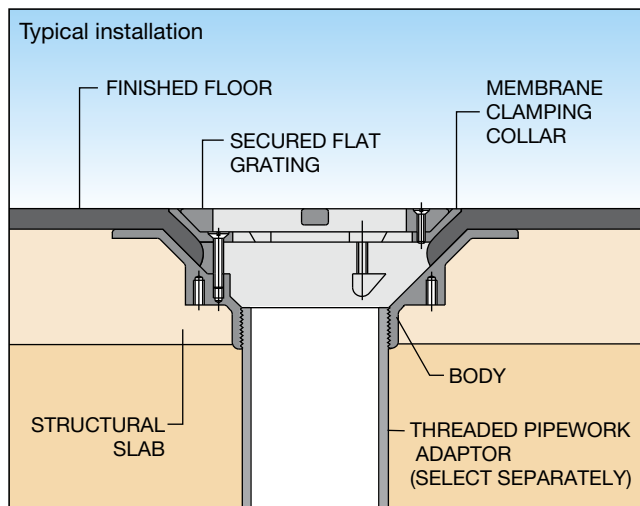
Cast iron, non-trapped, Uni-Level

For areas subject to car and light vehicular traffic.

Connections

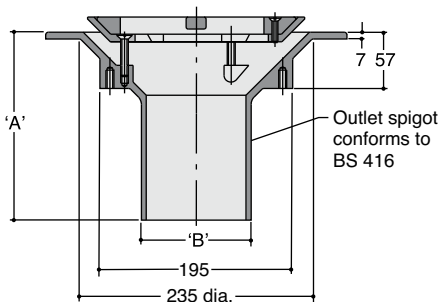
Bodies with spigot outlet are for direct connection to BS 416 pipework; versions with BSP threaded outlet are for connection to pipework by means of a threaded pipework adaptor. Details of adaptors for connecting to different types and sizes of pipework are shown in Section 10.

WB324



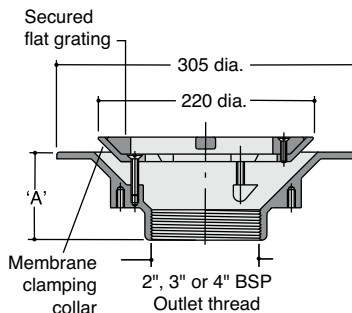
WB30 series

(Integral) spigot outlet



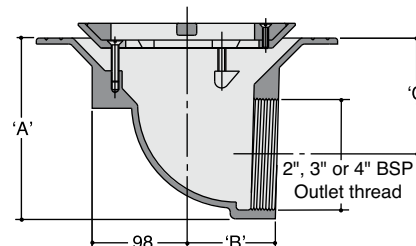
WB32 series

Vertical threaded outlet



WB33 series

Horizontal threaded outlet



Spec. Code	Outlet size	Outlet type	A mm	B mm	C mm	Body free area cm ²	kg
WB302	50mm	Spigot	238	60	-	19	8.5
WB303	75mm	Spigot	165	87	-	44	6.2
WB304	100mm	Spigot	190	112	-	78	7.1
WB322	2" BSP	Vertical, threaded	90	-	-	19	7.5
WB323	3" BSP	Vertical, threaded	90	-	-	44	6.5
WB324	4" BSP	Vertical, threaded	90	-	-	78	5.9
WB332	2" BSP	Horizontal, threaded	119	145	80.5	19	8.6
WB333	3" BSP	Horizontal, threaded	119	145	67.5	44	8.0
WB334	4" BSP	Horizontal, threaded	183	90	117.0	78	9.8

For information on flow rates please contact our Technical Services Department.

Features

Bodies – choice of outlet type and size as illustrated.

Grating – ductile iron with sherardized protective coating; secured, non height-adjustable.

Dia. mm	Load rating N/mm ²	Load rating Class	Free area cm ²	Max. aperture width mm
220	10	L15	130	13

Membrane clamping collar which also serves to connect the grating to the body is included with this series.

Options

Filter bucket, stainless steel – WG301.

Notes

- Vari-Level grating K2501A shown in Section 5G ci when used with any Vari-Level body shown in Section 5B, and direct connection grating K2591A shown in Section 6G ci are also suitable for car and light vehicular traffic areas with an asphalt/composition finish.
- Vari-Level gratings shown in Section 5G are suitable for use in asphalt/composition finished floors subject to pedestrian traffic, if used with Vari-Level bodies D10-D12, shown in Section 5B ntcibm.

Gullies for asphalt/composition finished floors

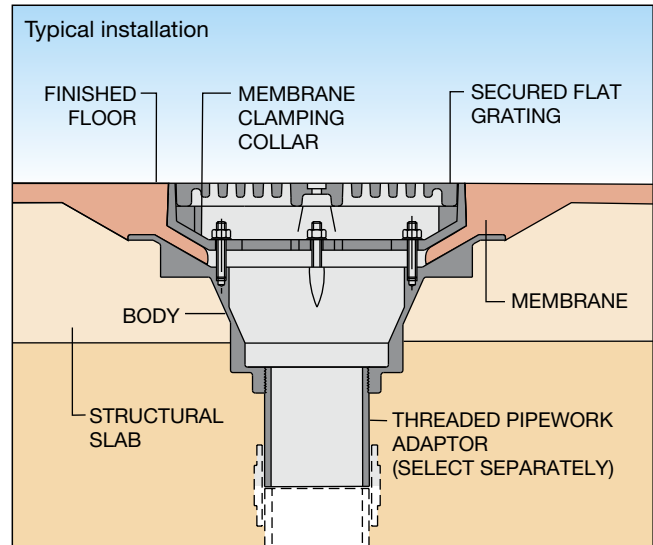
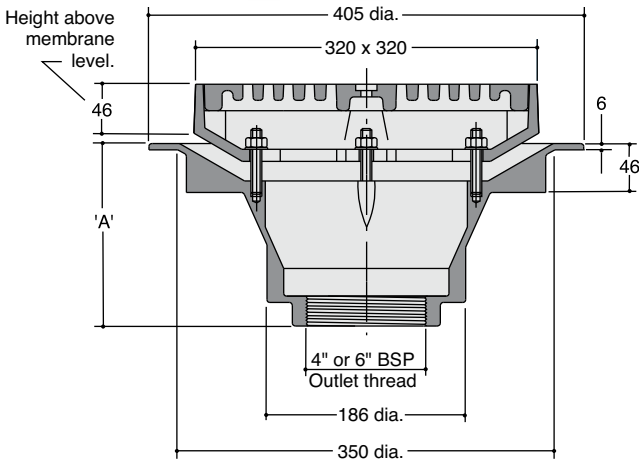
Cast iron, non-trapped, Uni-Level

For areas subject to car and light vehicular traffic.

Connections

Bodies have BSP threaded outlet and are for connection to pipework by means of a threaded pipework adaptor. Details of adaptors for connecting to different types and sizes of pipework are shown in Section 10.

WB514



Spec. Code	Outlet size	A mm	Body free area cm ²	kg
WB514	4" BSP	171	78	26.4
WB516	6" BSP	149	176	23.9

Features

Bodies – choice of outlet size as illustrated.

Grating – ductile iron with sherardized protective coating; secured, non height-adjustable.

Size mm	Load rating N/mm ²	Class	Free area cm ²	Max. aperture width mm
320 x 320	5	M125	295	9

Membrane clamping collar which also serves to connect the grating to the body is included with this series.

For information on flow rates please contact our Technical Services Department.

Options

Filter bucket, stainless steel – WH402.

Notes

- Vari-Level grating K2501A shown in Section 5G ci when used with any Vari-Level body shown in Section 5B, and direct connection grating K2591A shown in Section 6G ci are also suitable for car and light vehicular traffic areas with an asphalt/composition finish.
- Vari-Level gratings shown in Section 5G are suitable for use in asphalt/composition finished floors subject to pedestrian traffic, if used with Vari-Level bodies D10-D12, shown in Section 5B ntcibm.

Gullies for unfinished floors

Cast iron, trapped or non-trapped, Multi-Level

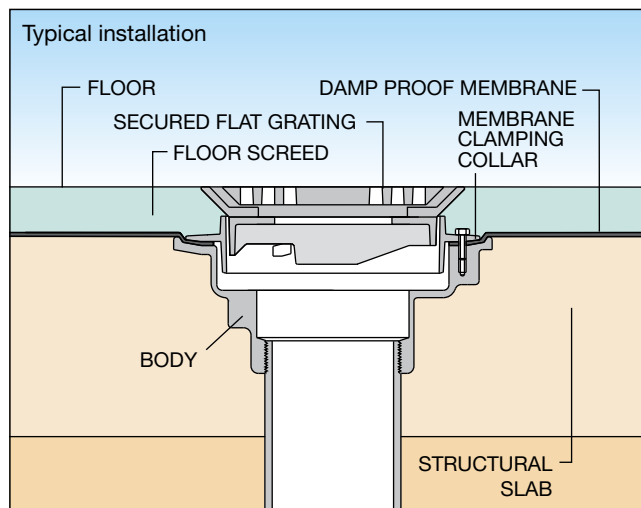
For areas subject to car and light vehicular traffic.

Connections

Bodies (see Section 5B, series D2-D8 and GD) with spigot outlet are for direct connection to pipework; versions with BSP threaded outlet are for connection to pipework by means of a threaded pipework adaptor. Details of adaptors for connecting to different types and sizes of pipework are shown in Section 10.

D204

Body with **M101** grating shown with optional weepholes



Features

Bodies – select from Vari-Level series D2-D8 and GD shown in Section 5B.

Grating – ductile iron with sherardized protective coating; secured, height-adjustable.

Membrane clamping collar (required) – cast iron; also serves to connect the grating to the body.

Spec. Code	Code	Load rating	Free area	Max. aperture	
Grating	Collar	class	cm ²	width mm	kg
M101	C.M1	L15	130	13	3.7

220mm dia.



Height adjustability – The grating sits in an adjustable collar; by rotating this assembly its height above the body flange can be adjusted to suit floor level within the following limits;

Maximum height – 85mm.

Minimum height – 50mm.

Extra height can be obtained by means of grating extension U301.

Notes

- For finished floors in pedestrian areas, gratings are also available made of nickel bronze or polished bronze. To specify/order add suffix 'NB' or 'PB'. For information on their load rating, please contact our Technical Services Department.
- A range of Vari-Level cast iron gratings, shown in section 5G ci, and their direct connection versions shown in section 6G ci, are also available for use in unfinished floors.

For information on flow rates please contact our Technical Services Department.

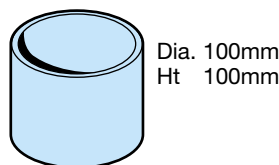
Options

Bolt-on funnels – Cast iron, sherardized

For use in applications where provision for indirect waste or condensate drainage is required in addition to floor drainage.

U502

To take single indirect waste pipe.



U602

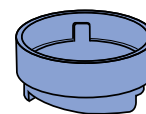
To take multiple indirect waste pipes; (for use with gratings. min. 150mm dia.).



Extension – Cast iron

U301

Increases height by between 50mm and 69mm.



May be stacked to achieve extra height (Caution: If using with GD series body, access to rodding plug will be restricted).

Side inlets – select from Section 9.

Filter bucket – stainless steel – add suffix 'B'.

Weepholes – add suffix 'W' to membrane clamping collar Spec. Code e.g. C.M1W (to provide supplementary drainage at membrane level).

Gullies for unfinished floors

Cast iron, non-trapped, Multi-Level

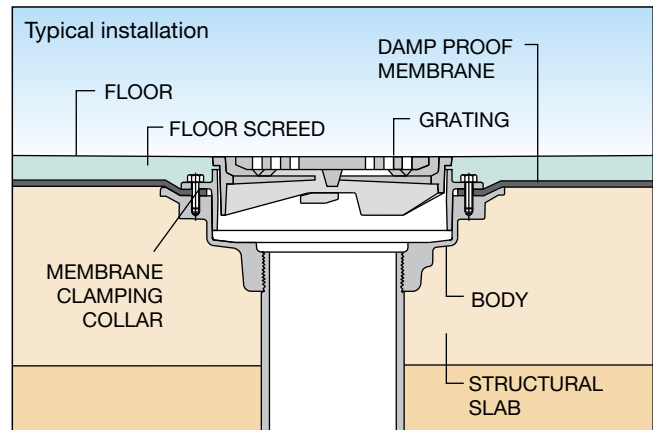
For areas subject to car and light vehicular traffic.

Connections

Bodies have BSP threaded outlet and are for connection to pipework by means of a threaded pipework adaptor. Details of adaptors for connecting to different types and sizes of pipework are shown in Section 10.

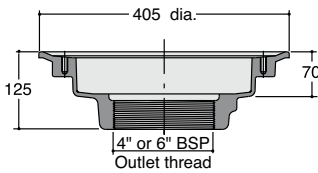
E204

Body with membrane clamping collar, weepholes and M301 grating



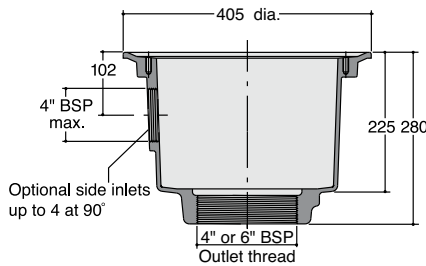
E2 series

Medium Sump – vertical threaded outlet



E4 series

Deep Sump – vertical threaded outlet + optional side inlet



Body Spec. Code	Outlet size BSP	Free area cm ²	kg
E204	4" BSP	76	17.7
E206	6" BSP	176	12.0
E404	4" BSP	78	29.4
E406	6" BSP	176	29.0

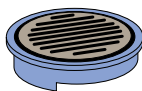
Features

Bodies – medium or deep sump, vertical outlet.
Grating – M401 ductile iron, M301 cast iron, with sherardized protective coating; height-adjustable. Select circular or square.
Membrane clamping collar (required) – cast iron with weepholes; also serves to connect the grating to the body.

Spec. Code	Load rating class	Free area cm ²	Max. aperture width mm	kg
M301	C.E2	200	11	10.0
M401	C.E2	300	12	10.0

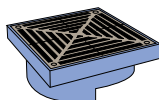
M301

280mm dia.



M401

270mm sq.



Height adjustability – The grating sits in an adjustable collar; by rotating this assembly its height above the body flange can be adjusted to suit floor level within the following limits;

Maximum height – M301 – 83mm, M401 – 111mm.

Minimum height – M301 – 33mm, M401 – 61mm.

Extra height can be obtained by means of grating extension U401SS.

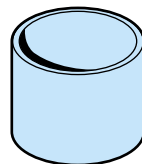
Weepholes – to provide supplementary drainage at membrane level.

Bolt-on funnels – Cast iron, sherardized

For use in applications where provision for indirect waste or condensate drainage is required in addition to floor drainage.

U502

To take single indirect waste pipe.



Dia. 100mm
Ht 100mm

U602

To take multiple indirect waste pipes; (for use with gratings. min. 150mm dia.).

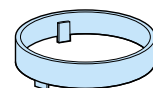


W 85mm
L 225mm
Ht 96mm

Extension - Stainless steel

U401SS

Increases height by 64mm, may be stacked to achieve extra height.



Options

Filter bucket – stainless steel – add suffix 'B' to grating Spec. Code.

Side inlets – select from Section 9 (E4 only).

Notes

- For finished floors in pedestrian areas, gratings are also available made of nickel bronze or polished bronze. To specify/order add suffix 'NB' or 'PB'. For information on their load rating, please contact our Technical Services Department.
- A range of Vari-Level cast iron gratings, shown in Section 5G ci, and their direct connection versions shown in Section 6G ci, are also available for use in unfinished floors.

Gullies for unfinished floors

Cast iron or stainless steel, non-trapped, Multi-Level

For use in car parks, yards, warehouses, plant rooms etc. Versions available with cast iron or stainless steel body.

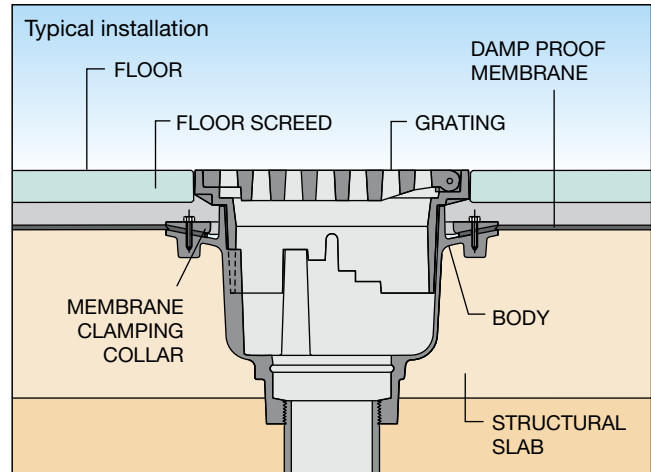
Connections

Bodies with spigot outlet are for direct connections to BS 416 pipework; versions with BSP threaded outlet are for connection to pipework by means of a threaded pipework adaptor. Details of adaptors for connecting to different types and sizes of pipework are shown in Section 10.

F204

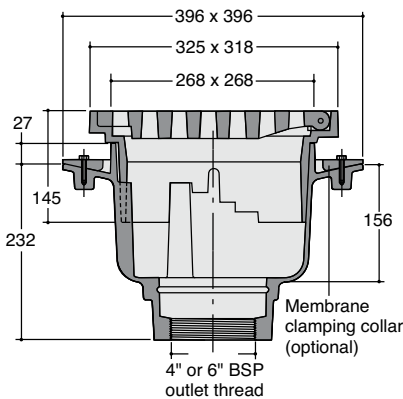


F214



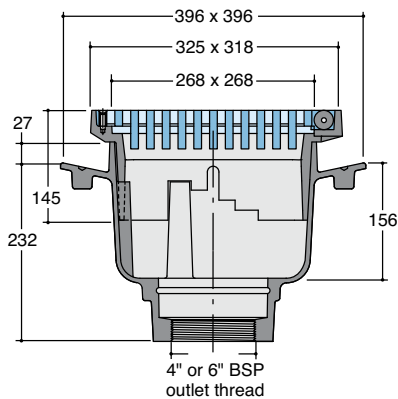
F204, F206

With cast iron body and sherardized ductile iron hinged grating



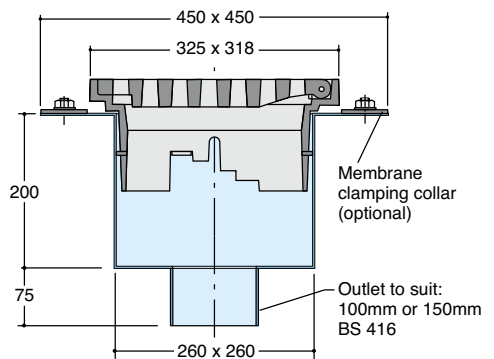
F214, F216

With cast iron body and stainless steel hinged grating



F304, F306

With cast iron body and sherardized ductile iron hinged grating



Spec. Code	Outlet	Load rating	Free area	Max. aperture
Gully	Collar	class	cm ²	width mm
F204	C.F2 4" BSP	M125	280	19
F206	C.F2 6" BSP	M125	280	19
F214	C.F2 4" BSP	P400*	280	19
F216	C.F2 6" BSP	P400*	280	19
F304	C.F3 100mm BS 416	M125	280	19
F306	C.F3 150mm BS 416	M125	280	19

*Note: Grating seat must be fully supported to achieve load rating class.

Features

Height adjustability – The grating sits in an adjustable collar; by rotating this assembly a quarter turn at a time its height above the body flange can be adjusted, in 12mm increments, within the following limits;

F2 series

Maximum height – 106mm
Minimum height – 70mm

F3 series

Maximum height – 82mm
Minimum height – 46mm

Weepholes – (to provide supplementary drainage at membrane level).

For information on flow rates please contact our Technical Services Department.

Options

Bodies – Cast iron or stainless steel with 4" or 6" outlet

Membrane clamping collar

Optional – see table for collar Spec. Code

Filter bucket – stainless steel, add suffix 'B'

Removable bell trap – U1704 (F304 only)

U1706 (F306 only)

Notes

- For finished floors in pedestrian areas, gratings are also available made of nickel bronze or polished bronze.
To specify/order add suffix 'NB' or 'PB'.
For information on their load rating, please contact our Technical Services Department. Maximum and Minimum height adjustability dimensions for the non-ferrous versions are 113mm and 80mm (F2 series) 89mm and 56mm (F3 series) in 11mm increments.
- A range of Vari-Level cast iron gratings, shown in Section 5G ci, and their direct connection versions shown in Section 6G ci, are also available for use in unfinished floors.

Gullies for unfinished floors

Cast iron, non-trapped, Multi-Level

For areas subject to car and light vehicular traffic, requiring surface and sub-surface drainage over a lower level membrane.

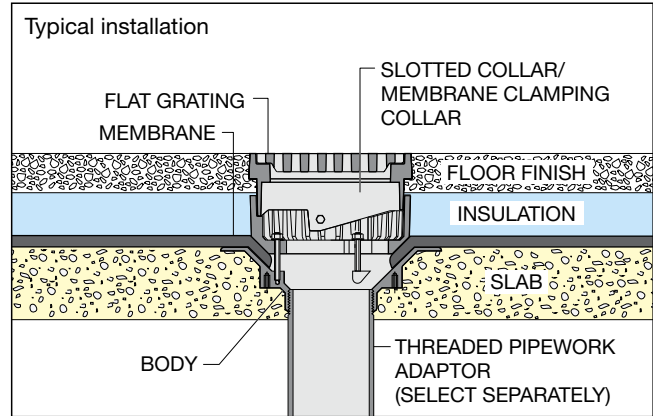
Connections

Bodies with spigot outlet are for direct connections to BS 416 pipework; versions with BSP threaded outlet are for connection to pipework by means of a threaded pipework adaptor. Details of adaptors for connecting to different types and sizes of pipework are shown in Section 10.

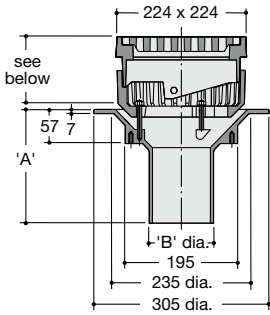
WD304



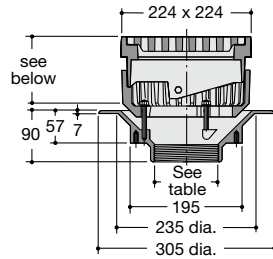
Versions illustrated have square grating, for versions with 220mm dia. circular grating, see table below.



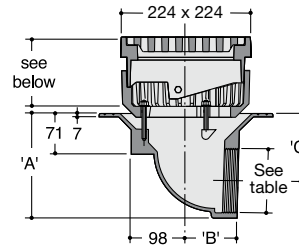
WD30 series



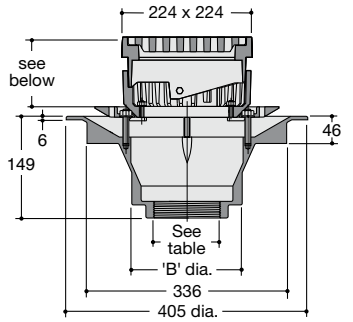
WD32 series



WD33 series



WD6 series



Gully Spec.	Code	Outlet size	Outlet type	A mm	B mm	C mm	Body free area cm ²	kg
Circular	Square							
WD202	WD302	50mm	Spigot	238	60	-	19	13.7
WD203	WD303	75mm	Spigot	165	87	-	44	12.5
WD204	WD304	100mm	Spigot	190	112	-	78	12.3
WD222	WD322	2" BSP	Vertical, threaded	-	-	-	19	12.7
WD223	WD323	3" BSP	Vertical, threaded	-	-	-	44	11.7
WD224	WD324	4" BSP	Vertical, threaded	-	-	-	78	11.1
WD232	WD332	2" BSP	Horizontal, threaded	119	145	80.5	19	13.8
WD233	WD333	3" BSP	Horizontal, threaded	119	145	67.5	44	13.2
WD234	WD334	4" BSP	Horizontal, threaded	183	90	117	78	15.0
WD514	WD614	4" BSP	Vertical, threaded	-	186	-	78	20.1
WD516	WD616	6" BSP	Vertical, threaded	-	186	-	176	17.6
WD518	WD618	200mm	Spigot	-	210	-	314	21.0

Features

Bodies – medium or deep sump, vertical or horizontal outlet.
Grating – Circular – ductile iron with sherardized protective coating; Square – cast iron with sherardized protective coating.

	Size mm	Load rating class	Free area cm ²	Max. aperture width mm
Circular	220 dia.	L15	130	13
Square	224 x 224	L15	170	13

Height adjustable – WD2 – 78 min, 105 max
 WD3 – 94 min, 121 max
 WD5 – 90 min, 117 max
 WD6 – 106 min, 133 max

Membrane clamping collar which also serves to connect the grating to the body is included with this series.

For information on flow rates please contact our Technical Services Department.

Options

Filter bucket – WD2 and WD3 series – WG301.
 – WD5 and WD6 series – WG301.

Extension – 96mm additional height; Cast iron – WG501.
Extension – 35mm additional height; Cast iron – WG502.

Notes

For finished floors in pedestrian areas, gratings are also available made of nickel bronze or polished bronze. To specify/order add suffix 'NB' or 'PB'.

For information on their load rating, please contact our Technical Services Department.

Gullies for unfinished floors

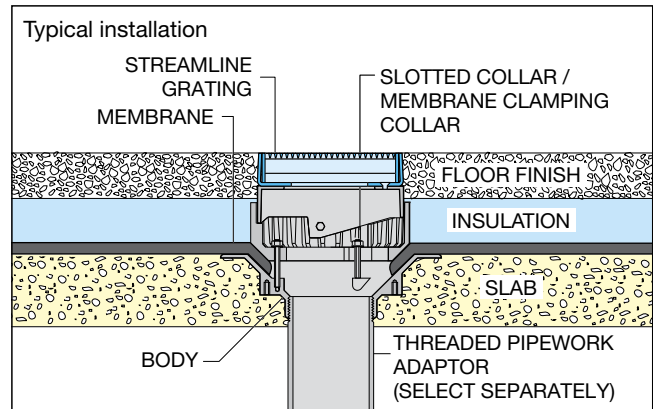
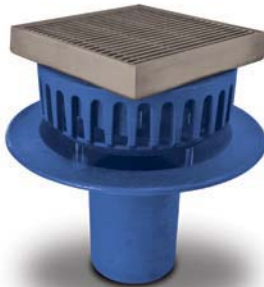
Cast iron with stainless steel grating. Non-trapped, Multi-Level

For areas subject to pedestrian traffic, requiring surface and sub-surface drainage over a lower level membrane.

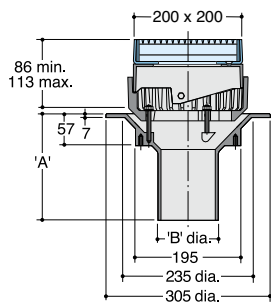
Connections

Bodies with spigot outlet are for direct connections to BS 416 pipework; versions with BSP threaded outlet are for connection to pipework by means of a threaded pipework adaptor. Details of adaptors for connecting to different types and sizes of pipework are shown in Section 10.

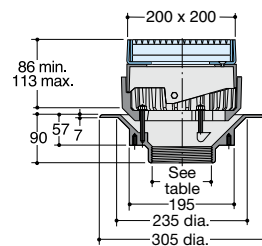
WD704



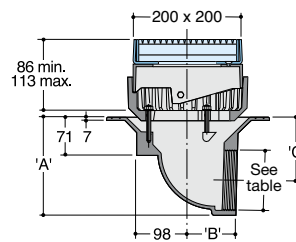
WD70 series



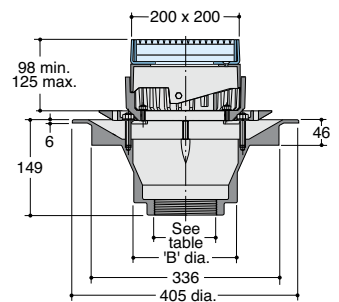
WD72 series



WD73 series



WD64 series



Gully Spec. Code	Outlet size	Outlet type	A mm	B mm	C mm	Body free area cm ²	kg
WD702	50mm	Spigot	238	60	-	19	13.3
WD703	75mm	Spigot	165	87	-	44	12.1
WD704	100mm	Spigot	190	112	-	78	11.9
WD722	2" BSP	Vertical, threaded	-	-	-	19	12.3
WD723	3" BSP	Vertical, threaded	-	-	-	44	11.3
WD724	4" BSP	Vertical, threaded	-	-	-	78	10.7
WD732	2" BSP	Horizontal, threaded	119	145	80.5	19	13.4
WD733	3" BSP	Horizontal, threaded	119	145	67.5	44	12.8
WD734	4" BSP	Horizontal, threaded	183	90	117	78	14.6
WD644	4" BSP	Vertical, threaded	-	186	-	78	19.7
WD646	6" BSP	Vertical, threaded	-	186	-	176	17.6
WD648	200mm	Vertical, threaded	-	210	-	314	17.6

Features

Bodies – medium or deep sump, vertical or horizontal outlet.

Grating – stainless steel – grade 304 'streamline' reverse wedge profile with 5mm slot width; height adjustable.

For use in high specification applications where high corrosion resistance is a requirement.

In applications having an aggressive atmosphere, grade 316 is recommended and is available on request.

Size mm	Load rating class	Free area cm ²	Max. aperture width mm
200 x 200	L15	216	5

Height adjustable – WD70 – WD73 – 86 min, 113 max
WD64 – 98 min, 125 max

Membrane clamping collar which also serves to connect the grating to the body is included with this series.

For information on flow rates please contact our Technical Services Department.

Options

Filter bucket – WD70-WD73 series – WG301.
– WD64 series – WG301.

Extension – 96mm additional height; Cast iron – WG501.

Extension – 35mm additional height; Cast iron – WG502.

Side inlets

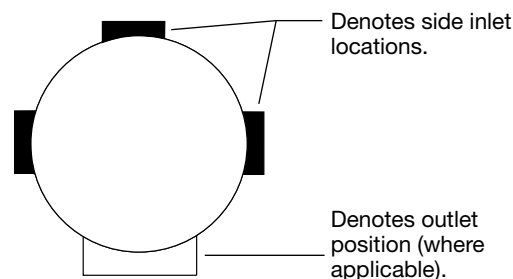
Side inlets in a gully permit the underfloor connection of pipes from fixtures such as sinks and wash basins, from drainage channels and from other gullies.

Side inlets in Wade trapped gullies are located completely above the water level, except in G102, H102 and GD series where the inlets are partially below the water level.

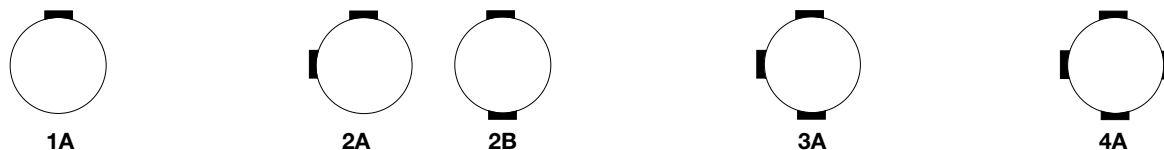
The illustrations represent typical gully bodies, **viewed from above**, and show the **Spec. Codes** for all possible combinations of **locations**.

Unless otherwise requested, side inlets in cast iron gully bodies will be supplied as BSP female threads (specify thread size); stainless steel bodies have BSP female threads up to 2"; above 2", spigot inlets are supplied to suit BS 416 pipework.

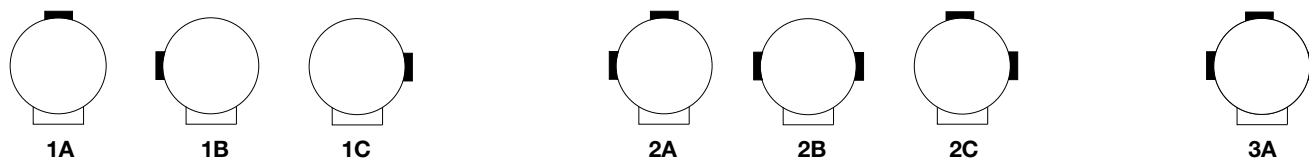
GP1104 plastic gully body has three side inlets moulded-in that will accept 50mm plastic pipework; these inlets are usable by removing knock-outs from the body on site.



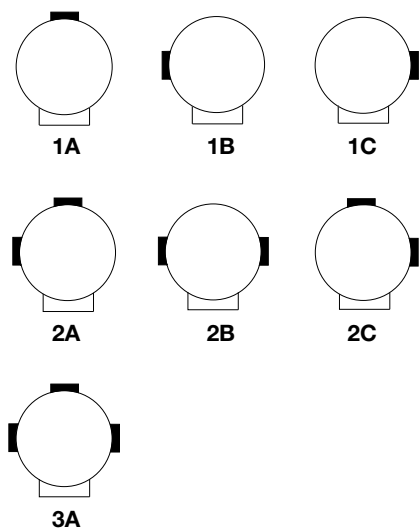
Gully bodies with vertical outlet



Gully bodies with 'P' or 'S' trapped outlet



Gully bodies with horizontal outlet



To specify/order

Quote the Spec. Code for the selected **body** with suffix **'I'** and the **locations** and **size** of each inlet.

e.g. G304 body with 2 side inlets tapped 1.5" BSP, in locations per illustration 2B.

Specify: G304I 2B 1.5

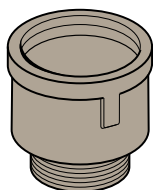
Adaptors

Connections

Adaptors and couplings are available to connect Wade products to pipework and fittings made by others.

T6 series

Hub adaptor for caulk joint



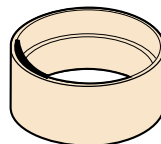
T1103

Push fit coupling BS 416/437 to Supersleve



T12 series

Copper to BS 416. Adaptor must be brazed/soldered to copper pipe before connecting to BS 416 by means of a proprietary coupling



T1501

MJ coupling BS 416 to plastic



T1603

MJ coupling 75mm BS 416 to Ensign



Connections		Adaptor	
From	To	Spec. Code	kg
2" BSP female	50mm cast iron caulk joint	T601	0.6
3" BSP female	75mm cast iron caulk joint	T602	2.6
4" BSP female	100mm cast iron caulk joint	T603	3.2
100mm BS 416 or BS 437	100mm Supersleve	T1103	0.2
50mm BS 416	50mm copper	T1201	0.4
75mm BS 416	75mm copper	T1202	0.6
100mm BS 416	100mm copper	T1203	0.7
100mm BS 416	110mm plastic	T1501	0.3
75mm BS 416	75mm DIN 19522 Ensign	T1603	1.2

Threaded pipework adaptors

A comprehensive range of threaded pipework adaptors, shown in the following table, is available to enable gully bodies with BSP threaded outlet to be connected speedily and effectively to all pipework in general use. To complete the connection a coupling may be required as indicated.

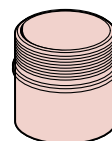
Longer lengths, such as required to pass through a slab, can be made in 10mm increments up to 900mm (except T401, T501, T502, T1702 and T1704).

To specify/order add '#' and length (mm) to Spec. Code.

On request, adaptors may also be threaded both ends, for details, please contact our Technical Services Department.

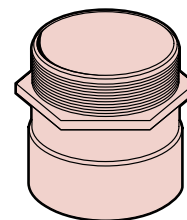
T1702*

Threaded pipework adaptor, plastic (ABS)



T1704*

Threaded pipework adaptor, plastic (ABS)

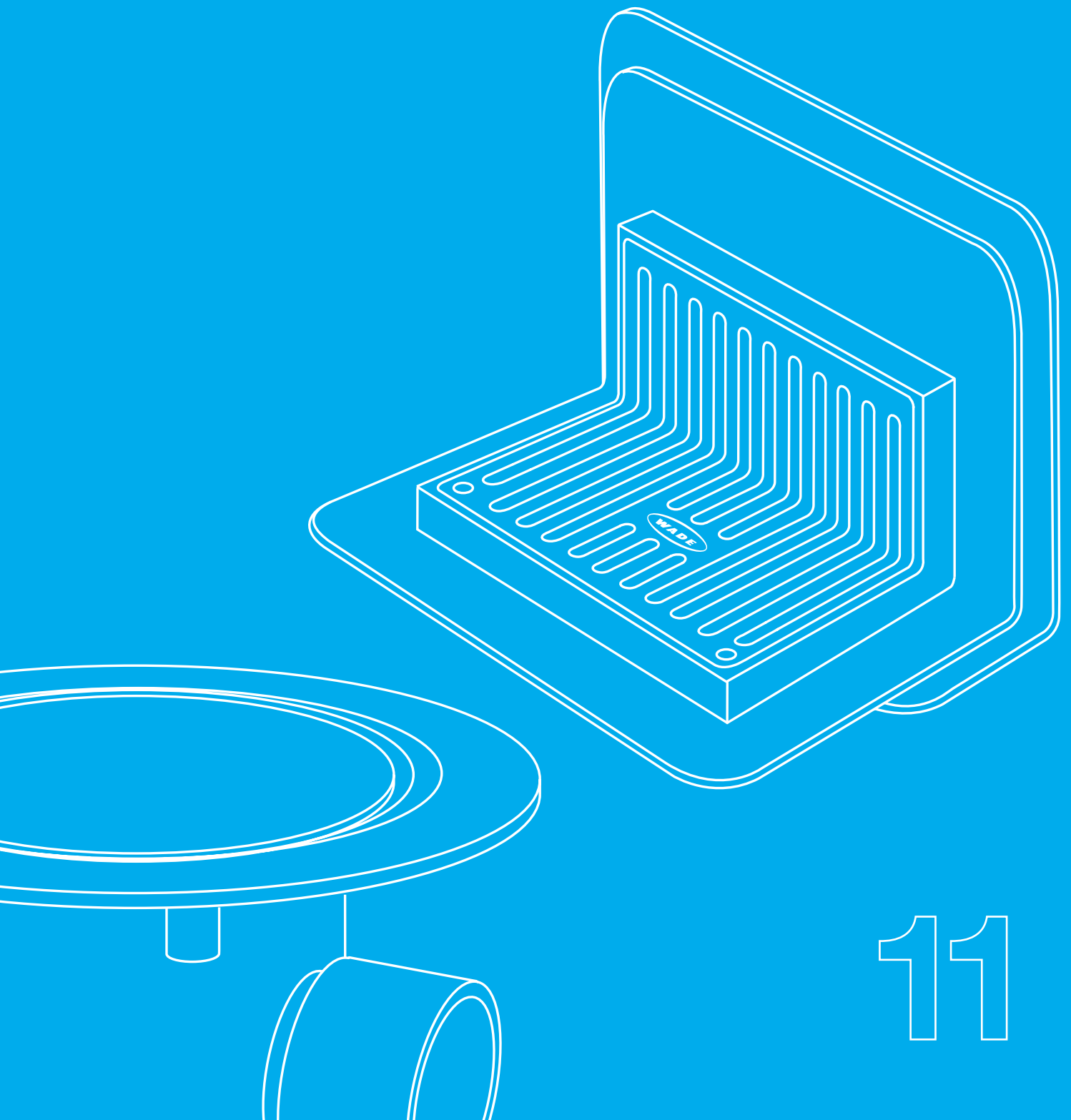


Pipework system	Nom dia. mm	Body outlet BSP	Spec. Code	O.D. mm	Length mm	Material	kg	Required coupling
Cast iron BS 416	50	2"	T101	60	90	Mild steel, sherardized	0.5	Proprietary
Cast iron BS 416	75	3"	T102	87	90	Mild steel, sherardized	0.9	Proprietary
Cast iron BS 416	100	4"	T103	111	90	Cast iron†	1.2	Proprietary
Cast iron BS 416	150	6"	T104	162	90	Cast iron	1.1	Proprietary
Cast iron BS 437	100	4"	T105	117	90	Cast iron	1.4	Proprietary
Cast iron BS 437	150	6"	T106	171	90	Cast iron	1.8	Proprietary
Cast iron DIN 19522 (Ensign + SMU)	50	2"	T101	60	90	Mild steel, sherardized	0.5	Proprietary
Cast iron DIN 19522 (SMU)	75	3"	T108	84	90	Mild steel, sherardized	0.7	Proprietary
Cast iron DIN 19522 (Ensign)	75	3"	T102	87	90	Mild steel, sherardized	0.9	Wade T1603
Cast iron DIN 19522 (Ensign + SMU)	100	4"	T103	111	90	Cast iron†	1.2	Proprietary
Cast iron DIN 19522 (Ensign + SMU)	150	6"	T104	162	90	Cast iron	1.1	Proprietary
Stainless steel (Europipe)	50	2"	T1802	50	90	Plastic (ABS)	0.2	Proprietary
Stainless steel (Europipe)	100	4"	T302	110	120	Plastic (UPVC)	0.4	Proprietary
Plastic	50	2"	T1702*	54	60	Plastic (ABS)	0.1	None
Plastic	82	3"	T301	82	140	Plastic (ABS)	0.2	Proprietary
Plastic	110	4"	T1704*	110	126	Plastic (ABS)	0.2	None
Plastic	160	6"	T303	160	166	Plastic (ABS)	0.6	Proprietary
Clay (Supersleve)	100	4"	T501	122	130	Cast iron	2.8	Proprietary
Clay (Supersleve)	150	6"	T502	178	130	Cast iron	4.6	Proprietary
HDPE	100	4"	T103	111	90	Cast iron	1.2	Wade T1501

* Solvent weld socket.

† **T103** in lengths greater than 600mm is mild steel, sherardized.

Specialised applications



Specialised applications

Over the years Wade has been asked to provide solutions to various drainage problems. This section includes examples of products, originally designed for a particular project, but which have become available for use elsewhere.

Please browse this section to see the full range, a sample of which is illustrated below.



K3202

Overflow gullies for decorative pools, baptismal pools and fountains.
See page 110.



P901

Drainage of planting areas and roof gardens.
See page 11P.



P14 series

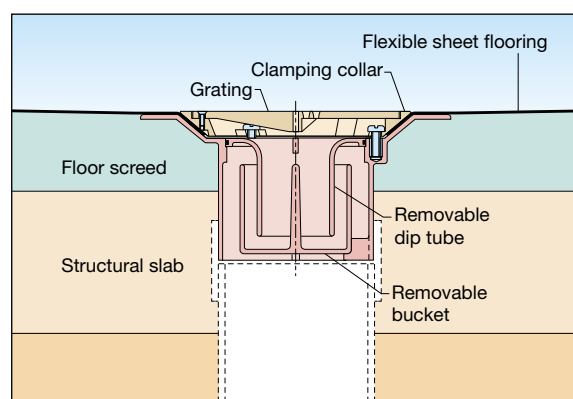
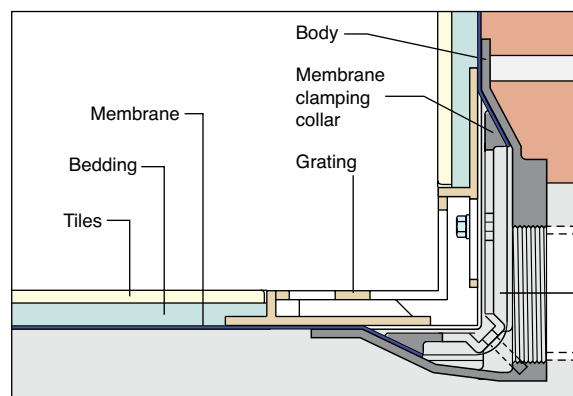
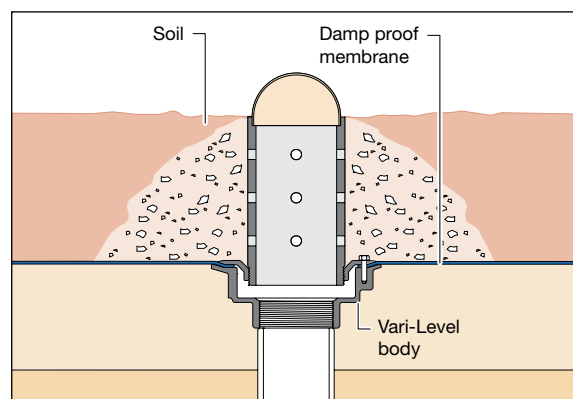
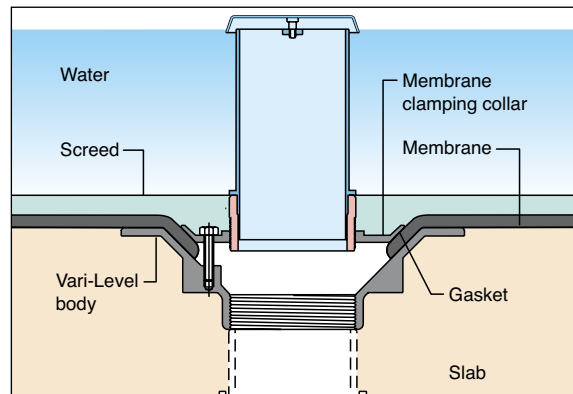
90° gully for use in shower areas etc.
See page 11S.



GV6103

Gully assemblies for flexible sheet flooring such as vinyl.
See page 11SF1 – 11SF2.

Typical installations

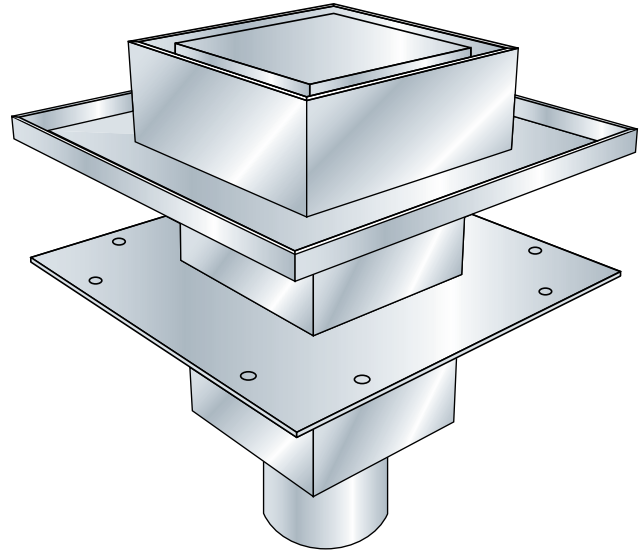
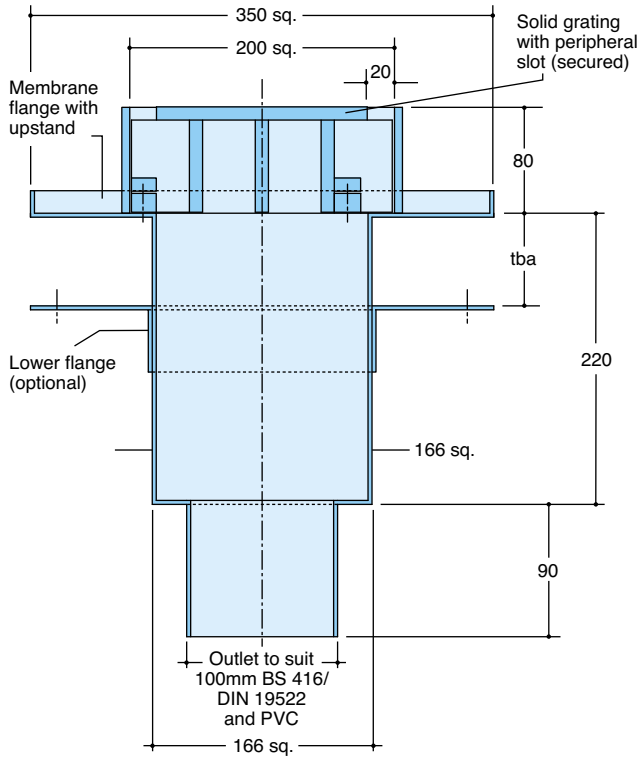


Heavy duty lorry deck gully

Stainless steel – grade 304, matt finish

Q904

Heavy duty gully with peripheral drainage slot, designed for use in areas subject to high loads such as lorry decks, service and parking areas. Optional lower flange may be used as a deck mounting flange and/or a membrane flange.



Spec. Code	Grating free area cm ²	Max. aperture width mm	Load rating class	kg
Q904	144	20	P400*	17.5

*Note: Grating seat must be fully supported to achieve load rating class.

Features

Grating – Stainless steel, secured

Options

Lower flange – add suffix 'F' – specify position

Fitted with Pin Torx* screws for security application – add suffix 'H'

*Pin Hex screws if grade 316 specified.

Made of grade 316 stainless steel – add suffix 'M'

Weepholes (upper flange) – add suffix 'W'

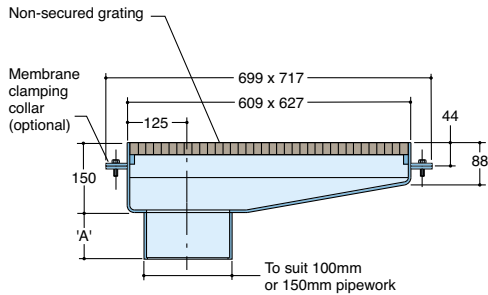
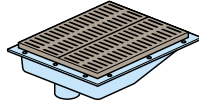
Weepholes (lower flange) – add suffix 'W2'

Dimensions can be amended to suit specific application – please contact our Technical Services Department with your requirements.

Large gullies

Q1 series

For use in factories, service and parking areas, warehouses etc., where very large volumes of water are discharged



Material

Body – stainless steel, grade 304
Grating – ductile iron, sherardized

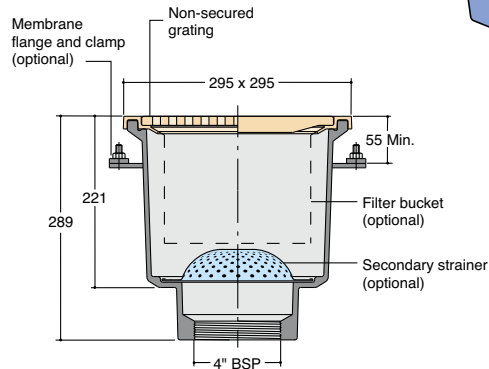
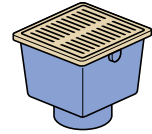
Options

Membrane clamping collar – add suffix 'C'

Spec. Code	Outlet size	Grating free area cm ²	'A'	Load rating class	kg
Q105	100mm BS 416 & plastic	1250	90	M125	100.0
Q106	150mm BS 416	1250	100	M125	100.0

Q3 series

For use as a hopper drain, or an indirect waste receiver, for pedestrian traffic only



Material

Body Q301 – cast iron, lacquered
Body Q302 – cast iron, plastic coated
Grating – nickel bronze

Other materials

Versions also available with cast iron grating

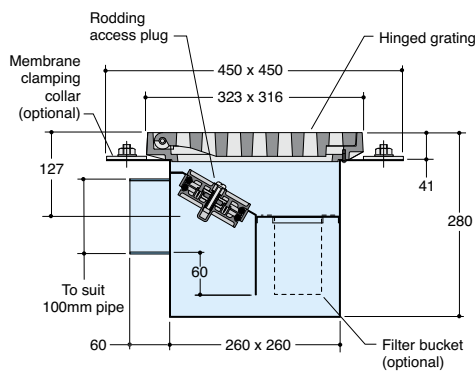
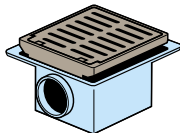
Options

Flange and membrane clamp – add suffix 'F'
Stainless steel secondary strainer – add suffix 'D'
Stainless steel filter bucket – add suffix 'B'

Spec. Code	Grating free area cm ²	Load rating class	kg
Q301	205	L15	22.4
Q302	205	L15	22.4

Q403

For use in service and parking areas, factories, warehouses etc. Trapped gully with hinged ductile iron grating and rodding access



Material

Body – stainless steel
Grating – ductile iron, sherardized

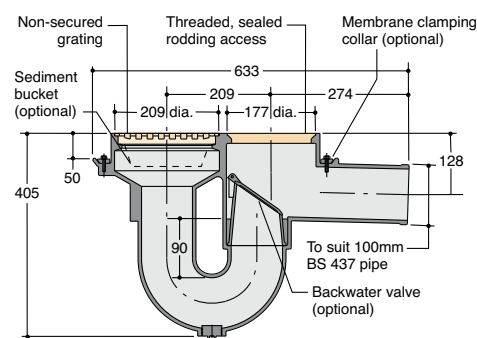
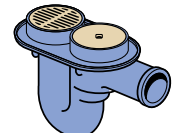
Options

Stainless steel filter bucket – add suffix 'B'
Membrane clamping collar – Spec. Code C.Q4

Spec. Code	Outlet size mm	Grating free area cm ²	Load rating class	kg
Q403	100mm BS 416	280	M125	23.0

Q501

For use where a trapped side outlet is required in pedestrian traffic areas



Material

Body – cast iron, lacquered grating – nickel bronze
Access cover – nickel bronze

Options

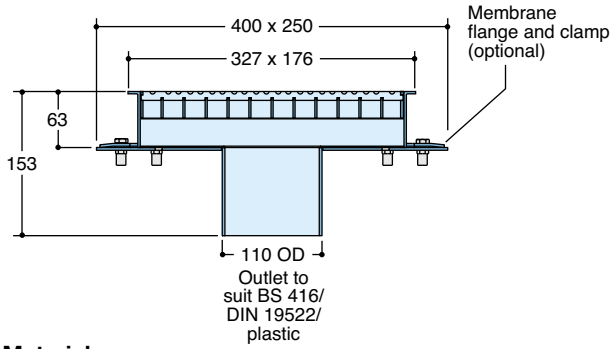
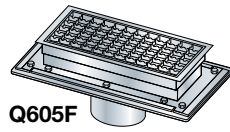
Filter bucket – add suffix 'B'
Membrane clamping collar – Spec. Code C.Q5
Gunmetal backwater valve – add suffix 'V'

Spec. Code	Outlet size mm	Grating free area cm ²	Load rating class	kg
Q501	100mm BS 437	125	L15	40.0

Large gullies

Q605

For use in gutters and trenches



Material

Body and grating – stainless steel, grade 304

Options

Membrane flange and clamp – add suffix 'F'

Secured grating – add suffix 'L'

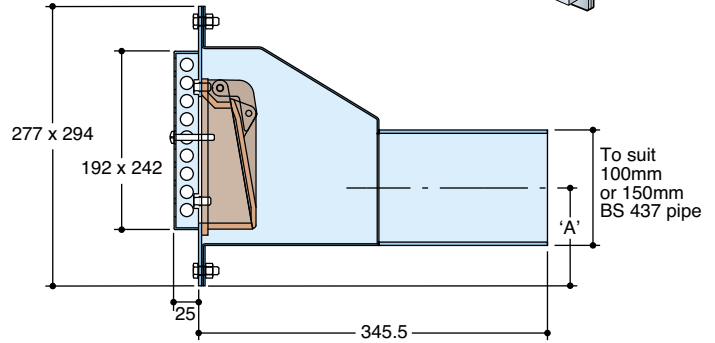
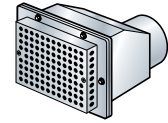
Note

Wade manufacture a wide range of linear drainage products – please refer to our 'Linear Drainage' brochure.

Spec. Code	Grating free area cm ²	Grating type	Load rating class	kg
Q605	360	Anti-slip mesh	L15	3.7
Q615	360	Plain mesh	L15	3.7
Q625	245	Streamline	L15	3.6
Q635	100	Perforated circular	K3	3.0
Q645	95	Perforated square	K3	3.0

Q8 series

For use in pools or pits where safeguard against backflow is required



Material

Body and grating – stainless steel, grade 304

Backwater valve – gunmetal

Spec. Code	Outlet size	A	Grating free area cm ²	Load rating class	kg
Q801	100mm	89mm	185	N/A	22.0
Q802	150mm	116mm	185	N/A	22.0

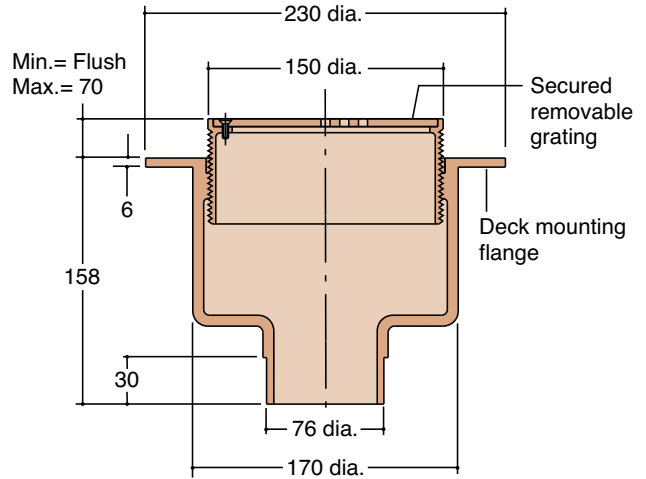
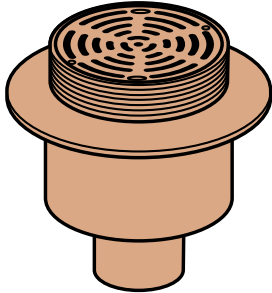
Gunmetal non-trapped gullies

For use in metal decks

Non-spark gunmetal gullies are for use in metal decks such as on oil rigs and ships. Gratings are height adjustable by means of their thread, enabling installation at finished floor level. Versions are available with choice of outlet and gratings to suit different floor finishes.

P301

For use with tile or composition flooring



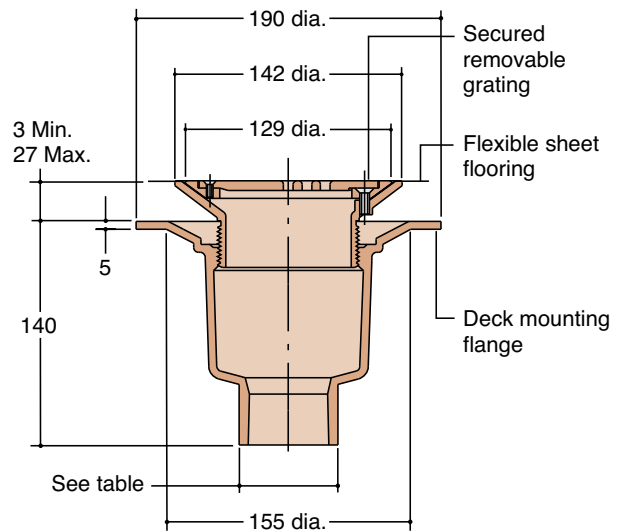
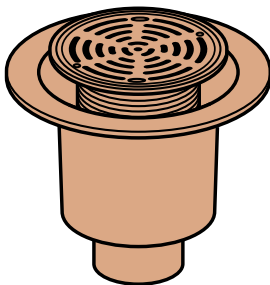
Spec. Code	Outlet size mm	Grating free area cm ²	Max. aperture width mm	Load rating class	kg
P301	75	48	7	L15	8.0

Note

Flanged outlets also available. Deck mounting flange can be drilled to suit specific requirements.

P5 series

For use with flexible sheet flooring such as vinyl



Spec. Code	Outlet size mm	Outlet connection	Grating free area cm ²	Max. aperture width mm	Load rating class	kg
P501	50	2" BSPT male	32	7	L15	4.1
P502	50	*Copper connection	32	7	L15	4.1

* Please advise copper pipe specification.

Note

Deck mounting flange can be drilled to suit specific requirements.

For information on flow rates please contact our Technical Services Department.

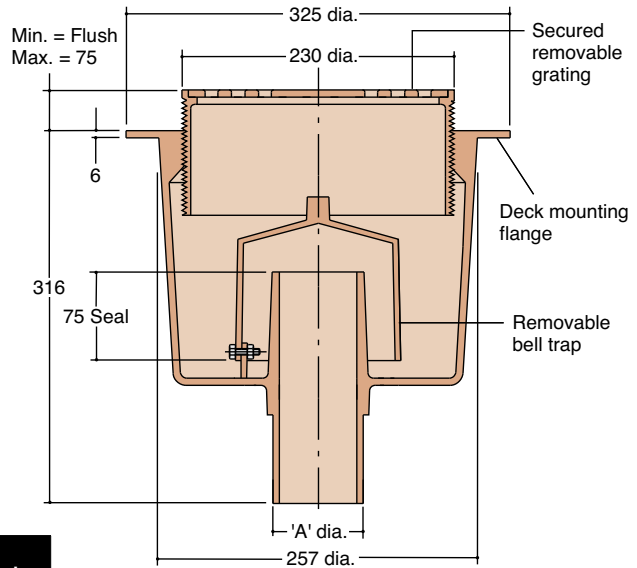
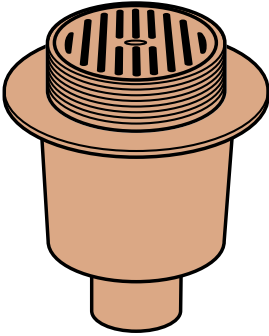
Gunmetal trapped gullies

For use in metal decks

Non-spark gunmetal gullies with deep sump body are for use in metal decks such as on oil rigs and ships. Gratings are height adjustable by means of their thread, enabling installation at finished floor level. Versions are available with choice of outlet, gratings to suit different floor finishes and removable bell trap.

P4 series

For use with tile or resin flooring



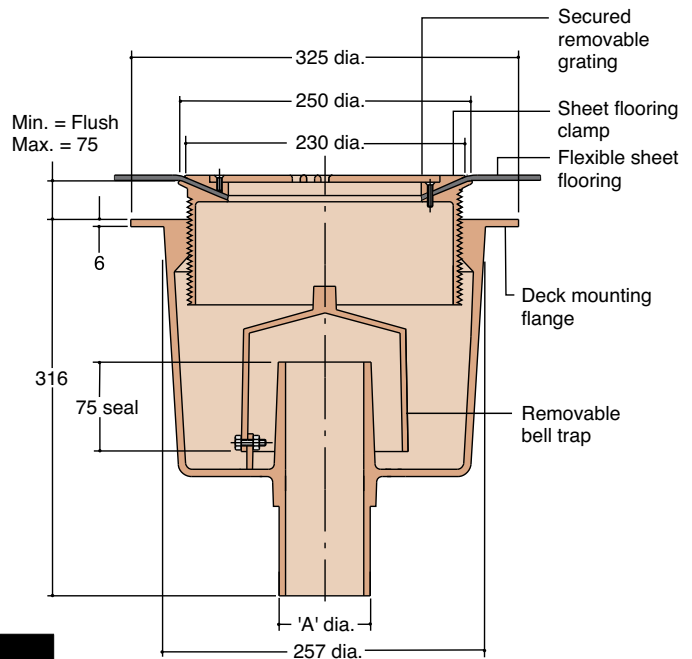
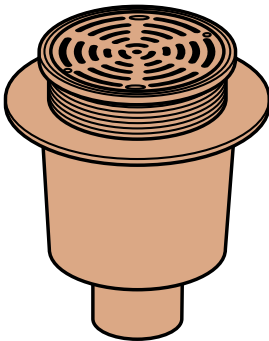
Spec. Code	Outlet size mm	Dia. A mm	Grating free area cm ²	Max. aperture width mm	Load rating class	kg
P403	75	76	125	11	L15	28.0
P404	100	108	125	11	L15	30.0

Note

Flanged outlets also available. Deck mounting flange can be drilled to suit specific requirements.

P4 series

For use with flexible sheet flooring such as vinyl



Spec. Code	Outlet size mm	Dia. A mm	Grating free area cm ²	Max. aperture width mm	Load rating class	kg
P413	75	76	106	7	L15	28.0
P414	100	108	106	7	L15	30.0

Note

Flanged outlets also available. Deck mounting flange can be drilled to suit specific requirements.

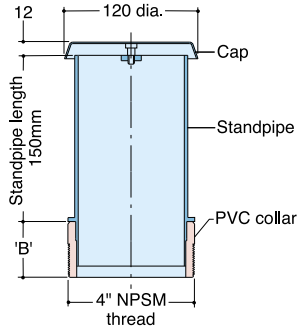
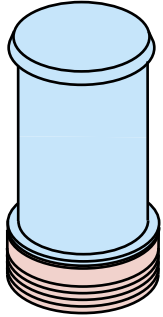
For information on flow rates please contact our Technical Services Department.

Overflow gullies

For decorative pools, baptismal pools and fountains

To prevent the depth of water exceeding the required maximum, a polished, stainless steel standpipe receives excess or surges of water for discharge via any Vari-Level body, shown in Section 5B. The standpipe is easily removed when the pool/font is required to be emptied of water.

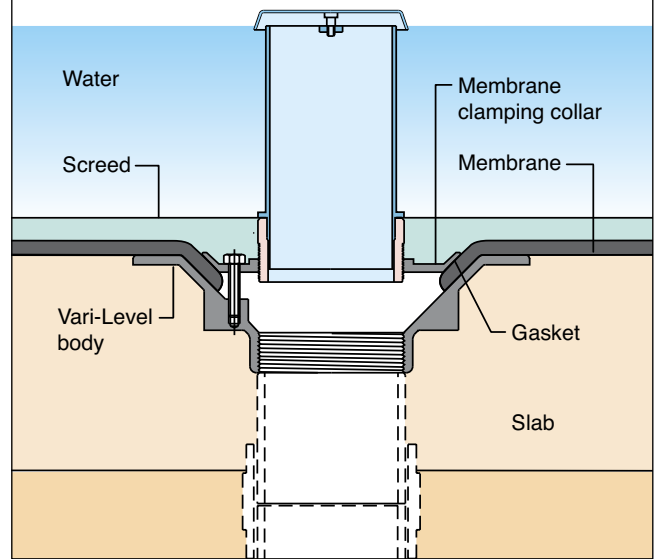
K3201



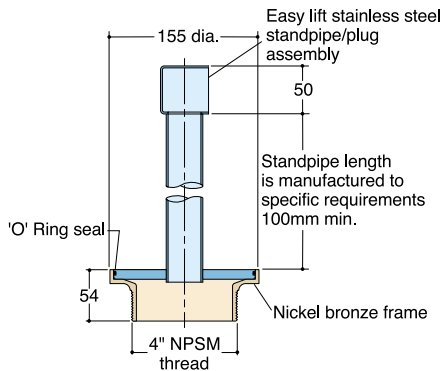
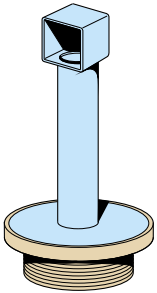
Spec. Code	B	kg
K3201 Without cap	50	1.8
K3202 With cap	50	1.8

To specify/order other standpipe lengths, add '#' and length (mm) to Spec. Code.

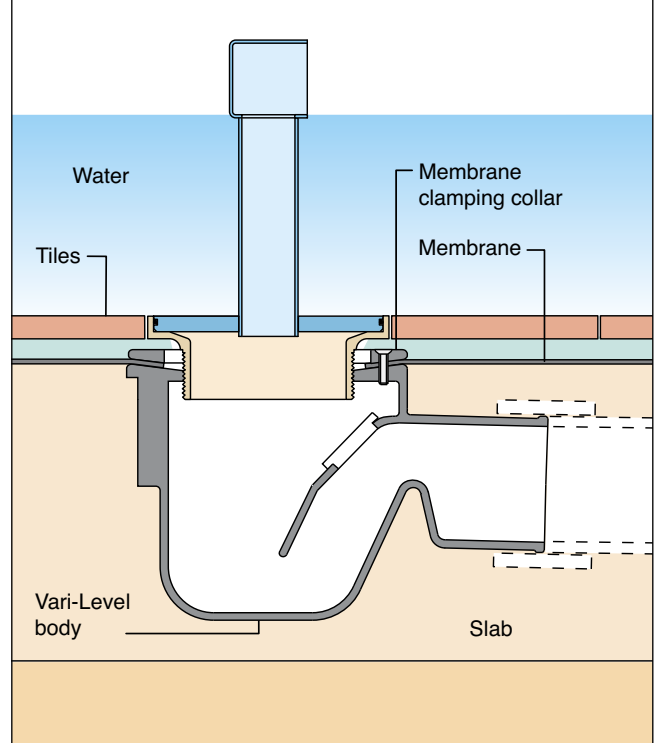
Typical installation



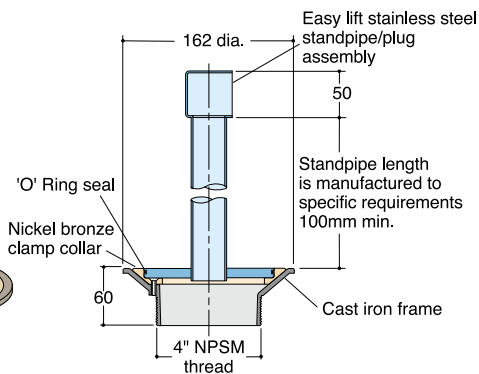
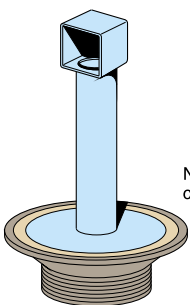
K3211



Typical installation



K3212



Spec. Code	Floor finish
K3211 + Standpipe length (mm)	Marble, tiles etc.
K3212 + Standpipe length (mm)	Flexible sheet flooring such as vinyl, certain trowel applied resins

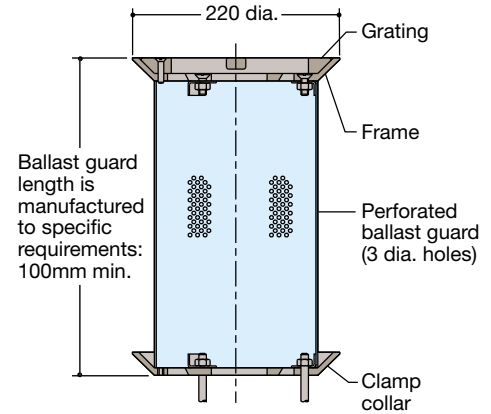
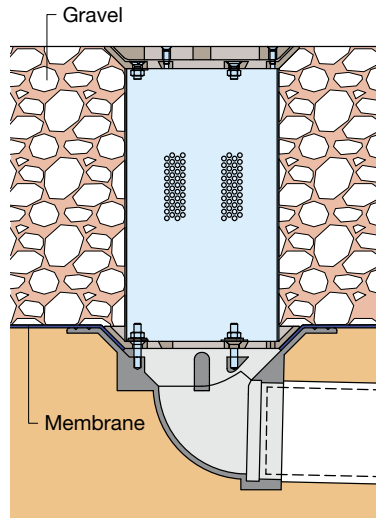
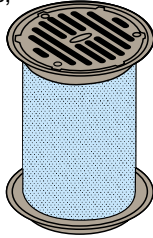
Accessories – select from Section 5X.

Drainage of planting areas and roof gardens

Wade offers a range of products providing drainage of moisture in planting areas and flower boxes, minimising loss of soil.

P8 series

For applications where a grating is required at the surface, in a paved area, or where access is required; for use with D10-D12 series bodies, shown on page 5B ntcibm



Spec. Code	kg
P801 + length (mm)	4.0

Load rating class: K3

Material

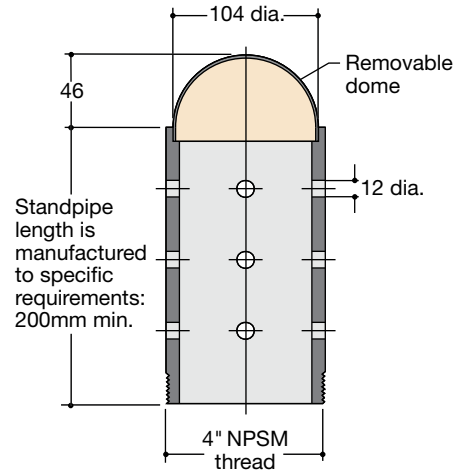
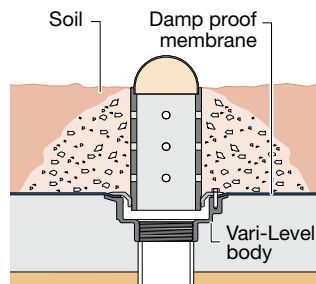
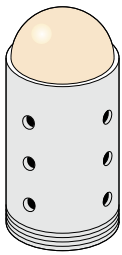
Grating – ductile iron, sherardized

Ballast guard – stainless steel

Frame/clamp collar – cast iron, lacquered

P9 series

For applications where the standpipe is concealed by soil; for use with Vari-Level bodies shown in Section 5B. Dome is removable for access purposes



Spec. Code	kg
P901 + Standpipe length (mm)	0.7

Material

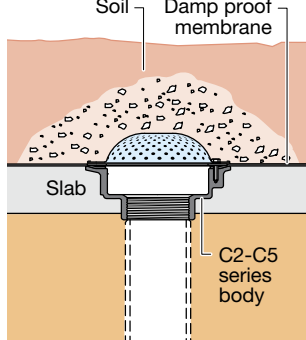
Dome – copper

Standpipe – PVC

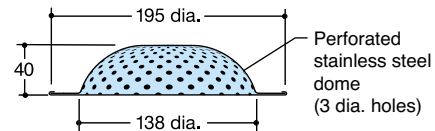
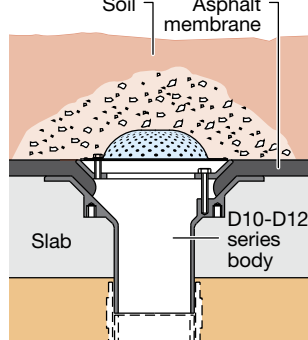
P10 series

For applications where all drainage is concealed by soil; versions available to suit asphalt or sheet/brush on membranes

Type 1



Type 2



Material: Stainless steel

Spec. Code	Installation type	Membrane	Dome free area cm ²	kg
P1001	1	Sheet or brush on	115	0.3
P1002	2	All types (inc. asphalt)	115	1.3

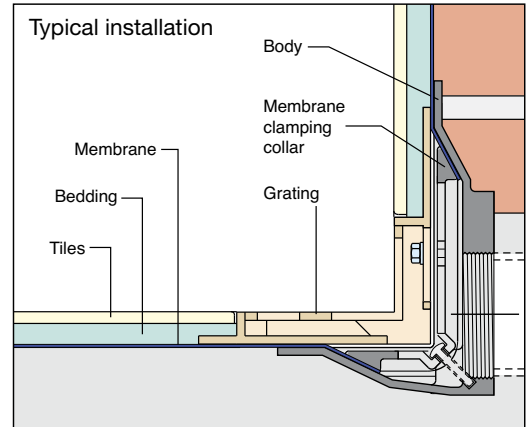
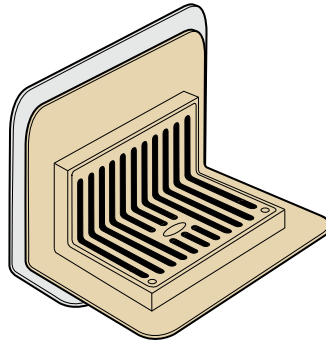
90° gullies

For use in shower areas etc.

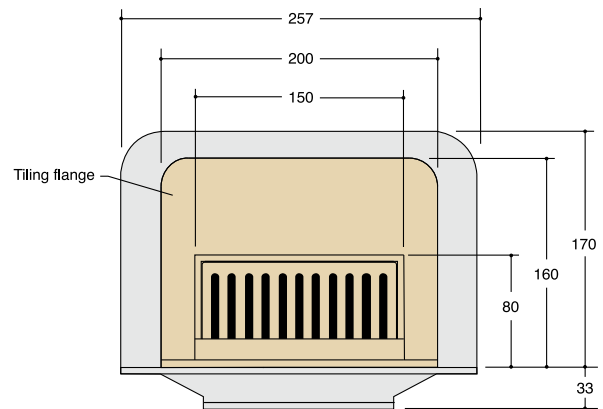
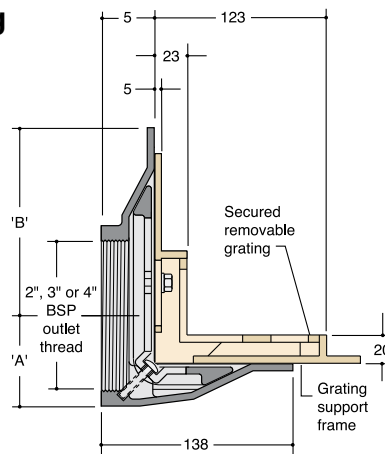
Cast iron body and clamp with nickel bronze or stainless steel grating

P14 series

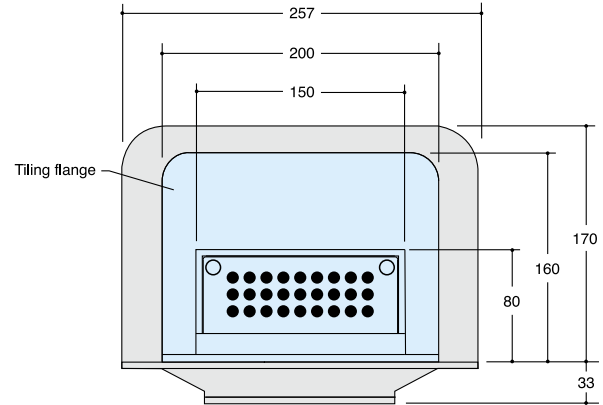
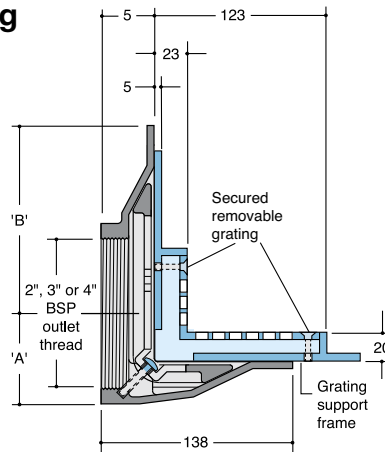
A flush fitting non-trapped gully for use in areas where drainage is required at the junction of a wall and floor. The lacquered cast iron body has horizontal outlet, available in three sizes; the secured grating is of nickel bronze or stainless steel



Nickel bronze grating



Stainless steel grating



Spec. Code	Outlet size	A mm	B mm	Grating	Grating free area cm ²	Load rating class	Max. aperture width mm	kg
P1412	2" BSP	39	164	Nickel bronze	82	K3	6	7.3
P1413	3" BSP	52	151	Nickel bronze	82	K3	6	6.6
P1414	4" BSP	65	137	Nickel bronze	82	K3	6	6.2

Spec. Code	Outlet size	A mm	B mm	Grating	Grating free area cm ²	Load rating class	Max. aperture width mm	kg
P1422	2" BSP	39	164	Stainless steel	40	K3	8	7.3
P1423	3" BSP	52	151	Stainless steel	40	K3	8	6.6
P1424	4" BSP	65	137	Stainless steel	40	K3	8	6.2

Options

Suffix

H Fitted with Pin Torx* screws for security applications.

*Pin Hex screws if grade 316 specified.

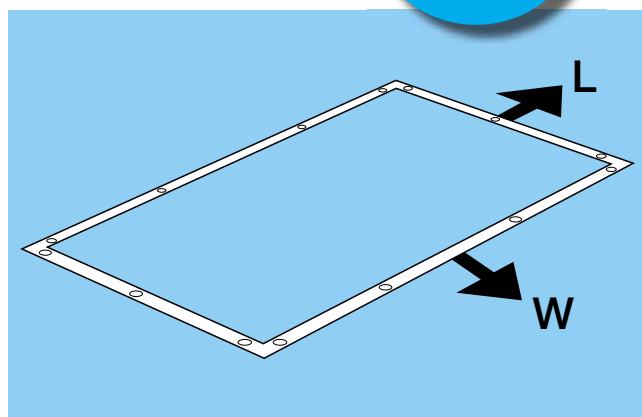
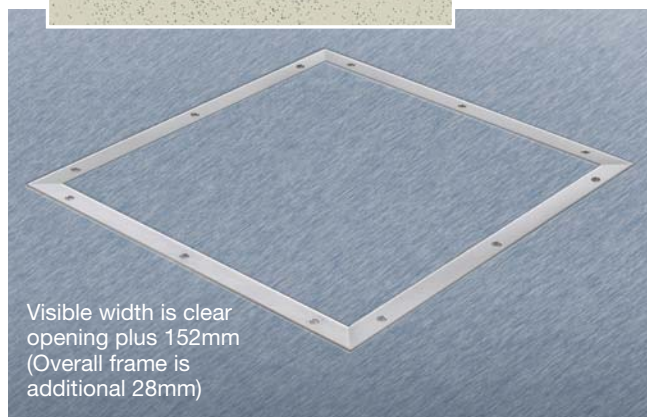
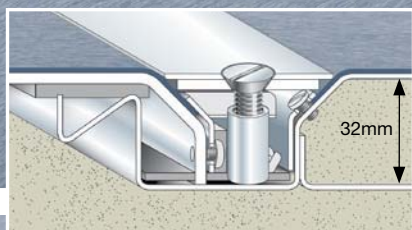
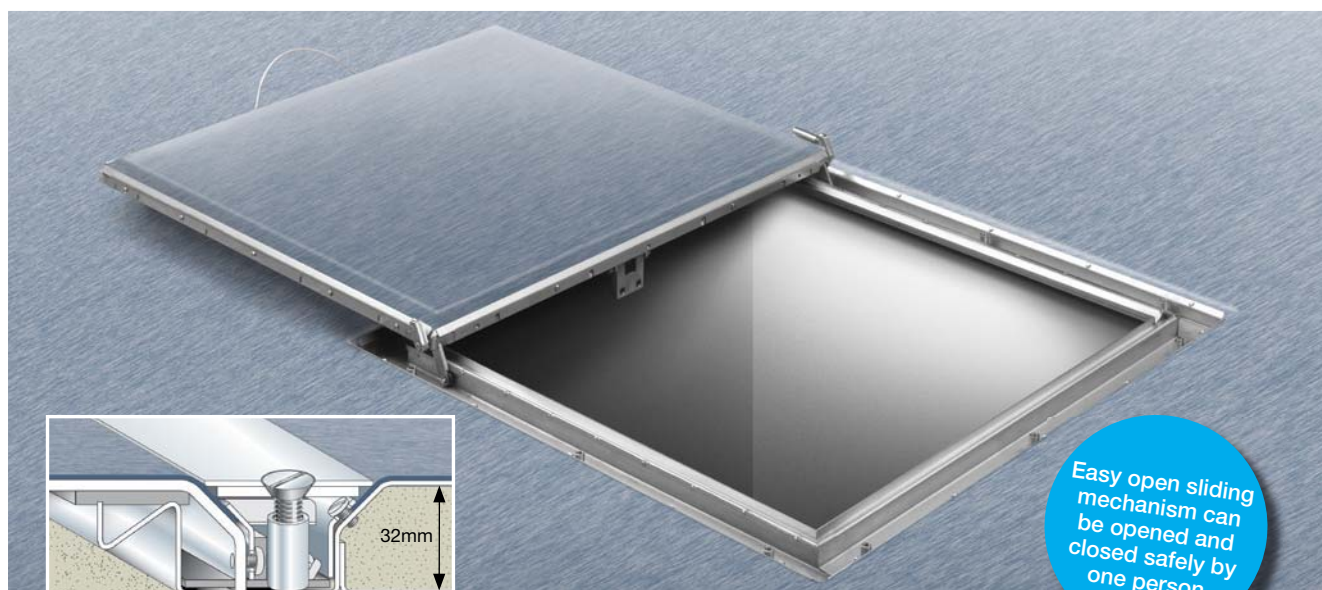
M Made of grade 316 stainless steel (P1422 – P1424).

Double sealed sliding access cover

For man entry for use with flexible sheet flooring such as vinyl

Stainless steel – Grade 304

Wade has solved the problem of access to inspection chambers and service ducts within buildings where sheet floor covering is used. A watertight joint formed between the sheet floor covering and the edge of the frame, prevents water from seeping into the structure.



- Reliable** – Floor material edges remain clamped even when cover is removed.
- Hygienic** – No holes, recesses or dirt traps.
- Air tight** – Double sealed by closed cell neoprene gaskets to meet all current building regulations.
- Safe** – All edges of floor material are securely clamped in position by concealed clamp strips. No steps or exposed edges.
- Unobtrusive** – When installed only a 50mm wide stainless steel clamping frame is visible.
- Vandal resistant** – Cover is removable only after loosening several screws.
- Watertight** – Clamped flooring prevents water from seeping into the structure.
- Versatile** – Designed for flooring thickness from 2-4mm.
- Material** – Stainless steel – grade 304
For use in high specification applications including food preparation, prison cells, showers and areas where high corrosion resistance is a requirement. In applications such as swimming pools or having an aggressive atmosphere, grade 316 is recommended and is available on request.

Spec. Code	Clear opening size mm	Overall size	Opening direction	Man entry	Load rating class	kg
RS231	450 x 450	684 x 684	–	x	K3	21.7
RS232L	450 x 600	684 x 834	Length	x	K3	25.6
RS232W	600 x 450	834 x 684	Width	x	K3	25.3
RS233	600 x 600	834 x 834	–	✓	K3	29.7
RS234L	600 x 750	834 x 984	Length	✓	K3	34.2
RS234W	750 x 600	984 x 834	Width	✓	K3	33.8
RS235	750 x 750	984 x 984	–	✓	K3	38.8
RS236L	600 x 900	834 x 1134	Length	✓	K3	38.7
RS236W	900 x 600	1134 x 834	Width	✓	K3	37.8

Visible width is clear opening plus 202mm (Overall frame is additional 32mm).

Options

Suffix

H Fitted with Pin Torx screws for security applications.

Openings for man entry shall comply with the safety requirements in force at the place of installation, generally this is considered to be at least 600 x 600.

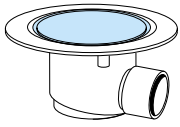
Gully assemblies for flexible sheet flooring

'P' trapped gully – 50mm seal

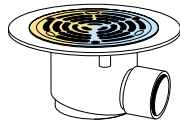
For use in wet bathrooms and shower areas decked with flexible sheet flooring such as vinyl, of a thickness up to 3.5mm.

GV5 series

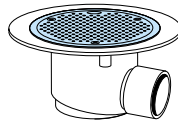
50mm socket outlet



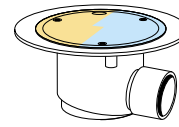
1. Peripheral slot



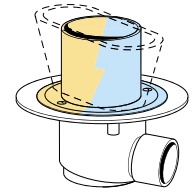
2. Slotted grating



3. Security grating

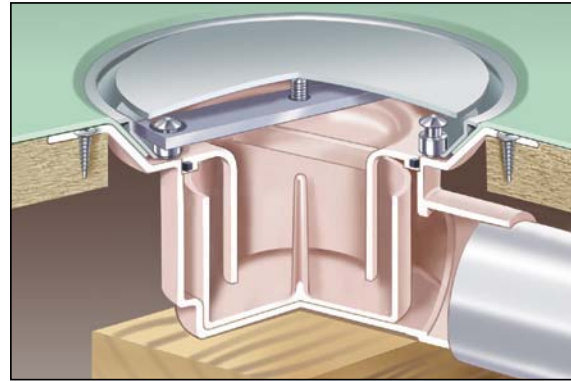
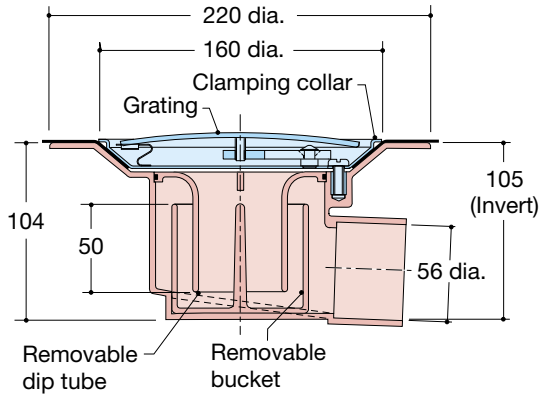


4. Solid cover



5. Funnel

GV5007



Spec. Code	Illustration No.	Top material	Version	Max. aperture width mm	Load rating class	kg
GV5007	1	Stainless steel	Grating (peripheral slot)	6	K3	1.2
GV5103	2	Nickel bronze	Grating (slotted)	7	L15	1.5
GV5107	2	Stainless steel	Grating (slotted)	6	L15	1.0
GV5247	3	Stainless steel	Security grating (4mm aperture)	4	K3	1.0
GV5503	4	Nickel bronze	Solid cover (gasketed)	n/a	L15	1.9
GV5517	4	Stainless steel	Solid cover (unsealed)	n/a	L15	1.2
GV5803	5	Nickel bronze	Funnel (tapered) 101 dia x 100H	n/a	n/a	2.4
GV5817	5	Stainless steel	Funnel (parallel) 101 dia x 101H	n/a	n/a	1.7
GV5823	5	Nickel bronze	Funnel (oval) 224L x 85W x 99H	n/a	n/a	3.7

Features

Watertight – clamping collar provides a water-tight seal between the flooring material and gully even when the grating is removed.

Water seal – formed by a bucket and dip tube, the water seal depth of 50mm complies with plumbing codes of practice in the U.K.

Flow rate – (grating and funnel versions) rate in excess of 40 l/min; comfortably exceeds the minimum rate of 24 l/min required by BS EN 274 for the discharge from a single shower head.

Vandal resistant – GV5007 secured grating has no visible fixings and is removable only upon depressing an unobtrusive lever.

Accessible – removable grating/cover/funnel and trap enable easy access from above for maintenance purposes.

Bucket – removable bucket helps to eliminate blockages and intercepts jewellery and other items which might otherwise be washed away.

Outlet – 50mm socket for solvent-weld connection to PVC pipework.

Installation – ideally suited for installation in timber or concrete floors or where space is limited.

Quality – stainless steel or nickel bronze grating/cover/funnel with matt finish (GV5817 polished), combines durability, safety and good looks.

Material

Grating/cover/funnel/clamping collar – Stainless steel or nickel bronze

Body/dip tube/bucket – plastic (ABS)

Options

Suffix

H Fitted with Pin Torx* screws for security applications (not GV5007). **Note** GV5247 is fitted with Pin Torx screws as standard.

*Pin Hex screws if grade 316 specified.

I Tapped to provide a direct connection for waste pipes – specify size 1¼", 1½", or 2" (solid cover versions only).

M Grade 316 grating/cover/funnel (not GV5007).

P Polished – Stainless steel only. (GV5817 is polished as standard).

Notes

- The gully must be supported and installed in accordance with instructions which accompany the product.
- Frequent cleaning will be necessary in applications where very high amounts of hair and other waste material are present.
- Maximum continuous operating temperature of 75°

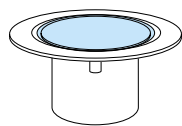
Gully assemblies for flexible sheet flooring

Trapped gully with vertical outlet – 50mm seal

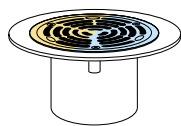
For use in wet bathrooms, kitchen and shower areas decked with flexible sheet flooring such as vinyl, of a thickness up to 3.5mm.

GV6 series

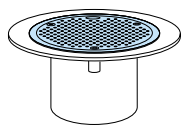
110mm spigot outlet with 50mm reducer



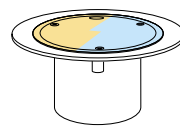
1. Peripheral slot



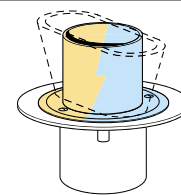
2. Slotted grating



3. Security grating

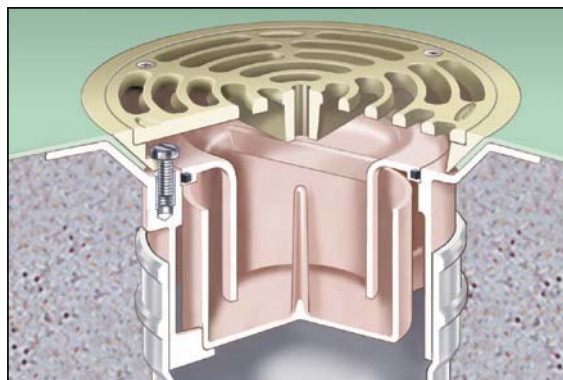
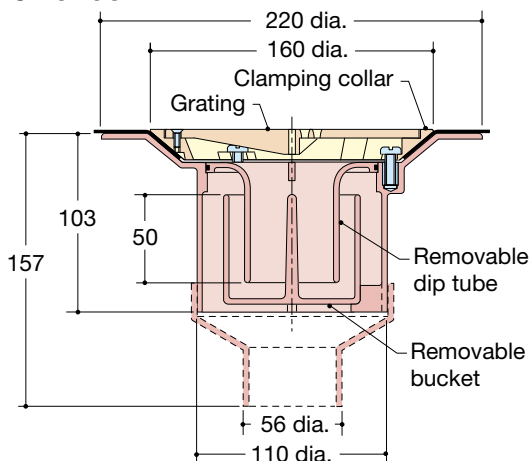


4. Solid cover



5. Funnel

GV6103



Spec. Code	Illustration No.	Top material	Version	Max. aperture width mm	Load rating class	kg
GV6007	1	Stainless steel	Grating (peripheral slot)	6	K3	1.2
GV6103	2	Nickel bronze	Grating (slotted)	7	L15	1.5
GV6107	2	Stainless steel	Grating (slotted)	6	L15	1.0
GV6247	3	Stainless steel	Security grating (4mm aperture)	4	K3	1.0
GV6503	4	Nickel bronze	Solid cover (gasketed)	n/a	L15	1.9
GV6517	4	Stainless steel	Solid cover (unsealed)	n/a	L15	1.2
GV6803	5	Nickel bronze	Funnel (tapered) 101 dia x 100H	n/a	n/a	2.4
GV6817	5	Stainless steel	Funnel (parallel) 101 dia x 101H	n/a	n/a	1.7
GV6823	5	Nickel bronze	Funnel (oval) 224L x 85W x 99H	n/a	n/a	3.7

Features

Watertight – clamping collar provides a water-tight seal between the flooring material and gully even when the grating is removed.

Water seal – formed by a bucket and dip tube, the water seal depth of 50mm complies with plumbing codes of practice in the U.K.

Flow rate – (grating and funnel versions) rate in excess of 40 l/min; comfortably exceeds the minimum rate of 24 l/min required by BS EN 274 for the discharge from a single shower head.

Vandal resistant – GV6007 secured grating has no visible fixings and is removable only upon depressing an unobtrusive lever.

Accessible – removable grating/cover/funnel and trap enable easy access from above for maintenance purposes.

Bucket – removable bucket helps to eliminate blockages and intercepts jewellery and other items which might otherwise be washed away.

Outlet – 110mm spigot outlet for solvent-weld or ring-seal connection to PVC pipework (50mm reducer supplied loose).

Installation – ideally suited for installation in timber or concrete floors or where space is limited.

Quality – stainless steel or nickel bronze grating/cover/funnel with matt finish (GV6817 polished), combines durability, safety and good looks.

Material

Grating/cover/funnel/clamping collar – Stainless steel or nickel bronze

Body/dip tube/bucket – plastic (ABS)

Options

Suffix

H Fitted with Pin Torx* screws for security applications (not GV6007). **Note** GV6247 are fitted with Pin Torx screws as standard.

*Pin Hex screws if grade 316 specified.

I Tapped to provide a direct connection for waste pipes – specify size 1¼", 1½", or 2" (solid cover versions only).

M Grade 316 grating/cover/funnel (not GV6007).

P Polished – Stainless steel only. (GV6817 is polished as standard).

Notes

1. The gully must be supported and installed in accordance with instructions which accompany the product.
2. Frequent cleaning will be necessary in applications where very high amounts of hair and other waste material are present.
3. Maximum continuous operating temperature of 75°

Access covers general purpose

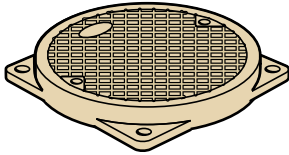
Nickel bronze – BS BN 1982

Satin finish

Versions are suited to pedestrian areas, to provide access to services.

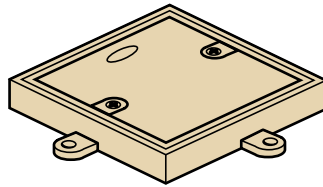
R311

Unsealed, secured, removable



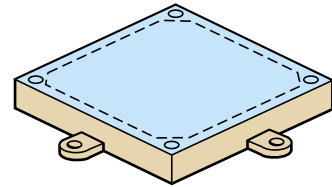
R4 series

Unsealed, secured, removable



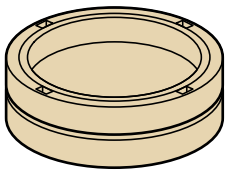
R5 series

Nickel bronze frame with stainless steel, unsealed, secured removable cover for use in a wall



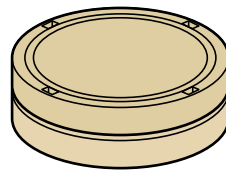
R611

Sealed, recessed for flooring material (20mm recess depth)



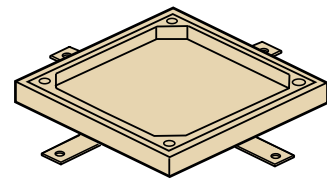
R621

Sealed, solid cover



R801

Sealed, secured, recessed for flooring material (19mm recess depth)



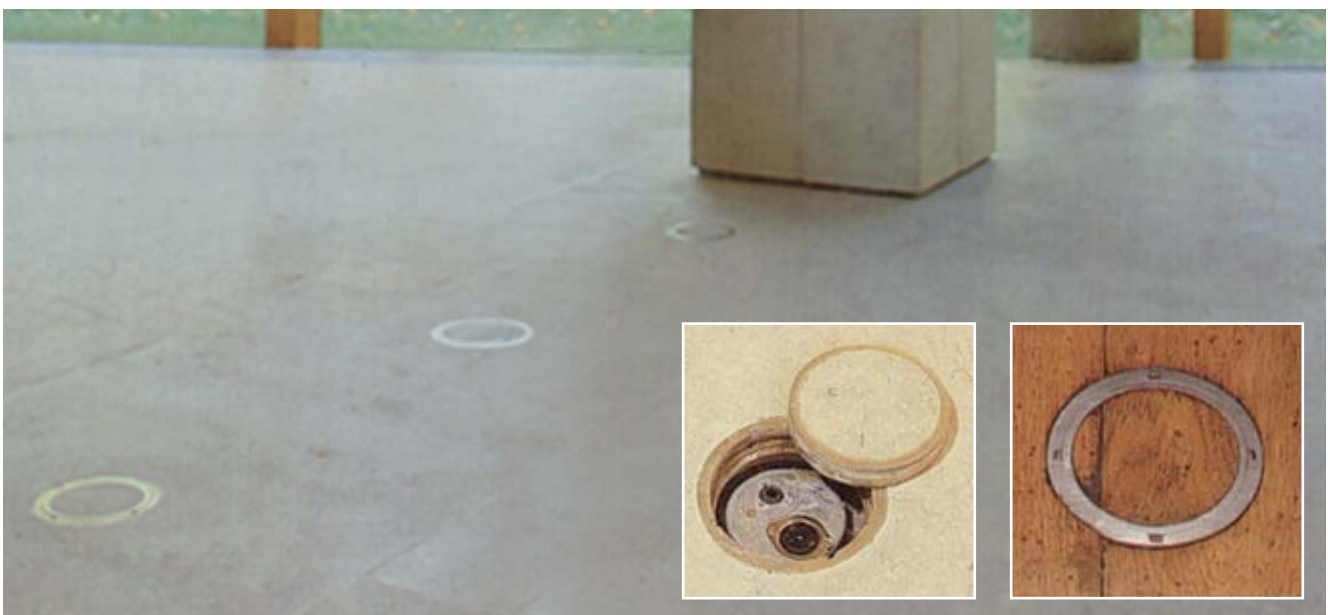
Spec. Code	Overall dia./ width mm	Overall length mm	Overall height mm	Load rating class	kg
R311	186	–	25	L15	2.5
R411	178	178	23	L15	2.4
R412	229	229	25	L15	2.8
R511	178	178	29	n/a	1.8
R512	229	229	29	n/a	2.5
R611	138	–	48	L15	2.0
R621	138	–	48	L15	2.0
R801	205	205	30	L15	4.3

Note

A range of Vari-Level access covers of cast iron, nickel bronze and stainless steel is shown in Section 5V. Direct connection versions are shown in Section 6V.

Access covers in a marble floor

R611 sealed access covers conceal electrical power points at the Burrel Collection, Glasgow.



Non-freeze water points

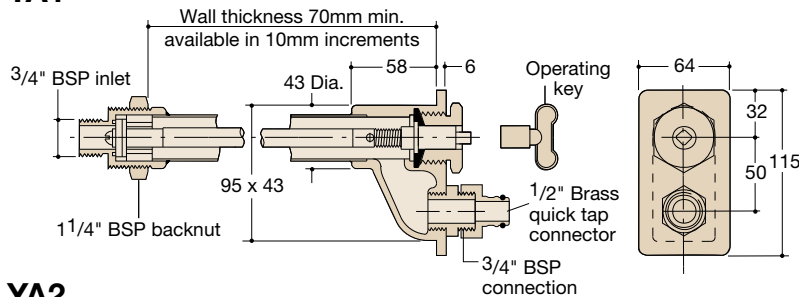
The *Wade non-freeze water point* provides an external water source for plant watering, area cleaning, vehicle wash down and similar activities.

The product is designed to be installed with the valve seal located inside a building, whilst the on/off control mechanism and hose connections are outside; when the valve is turned off, water drains out from the unit so that freezing cannot occur.

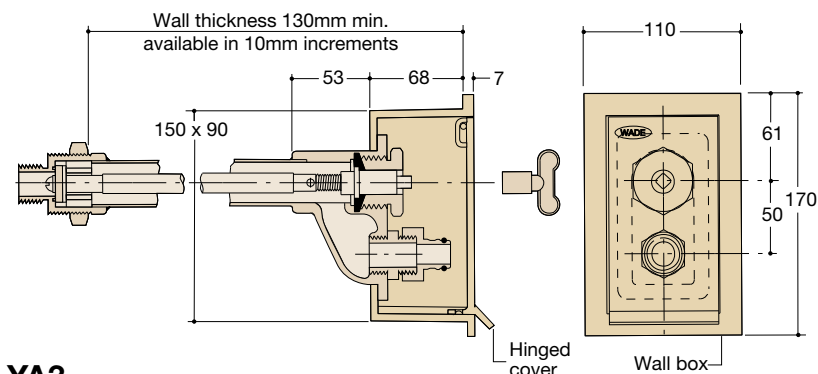
Made to suit a given wall thickness the product can be supplied with a wall box with optional locking cover to deter unauthorised access.

The *Wade non-freeze water point* is a UK Water Byelaws Scheme Approved Product **WRAS** APPROVED PRODUCT

YA1

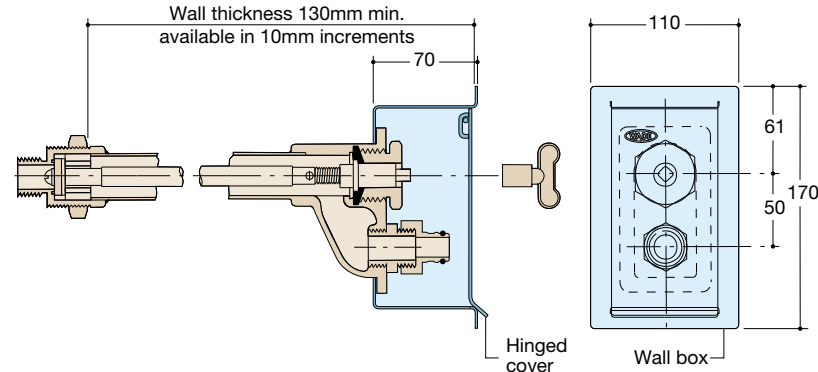


YA2



Cautionary note
Water points are non-freeze only when installed in the horizontal position, and are suitable for use only at normal mains supply pressure (up to 10 bar maximum).

YA3



Spec. Code	Wall box material/finish
YA101 + wall thickness mm	Without wall box
YA211 + wall thickness mm	Aluminium – white epoxy coated
YA212 + wall thickness mm	Nickel bronze – satin
YA213 + wall thickness mm	Gunmetal – satin
YA304 + wall thickness mm	Stainless steel grade 304 – satin
YA316 + wall thickness mm	Stainless steel grade 316 – satin

Installation notes

1. Install with inlet end on the inside of the building, in compliance with Water Regulations, Schedule 2, paragraph 15 (backflow prevention), as applicable to the installation's fluid category (determined by specifier).
2. Flush supply pipework before connecting.
3. Connect, and check for leaks – if leaking, remove centre stem assembly, examine and clean washer and seating, re-assemble and again check for leaks.

Options

Suffix 'L'

Locking cover. (Only available on versions with wall box).

Other finishes

Details on request.

Material

Water point: Cast gunmetal, copper tube, brass rod, malleable iron backnut.

Wall box material – see table.

Materials care and maintenance

Materials and finish of Wade floor gullies and access covers, described below, are selected to provide lasting performance and to blend with surroundings. The products require the minimum of maintenance, but periodic inspection should be carried out to ensure absence of matter which could impede drainage. Measures set out below will sustain appearance and prolong service life.

Stainless steel –

Austenitic grade 304 and 316

Used for bodies, gratings, funnels, access covers, filter buckets and fixings.

A corrosion-resistant metal containing significant amounts of nickel and chromium; AISI grade 304 stainless steel is used as standard, which is suitable for general use in and around buildings including most coastal locations. In applications such as swimming pools or having an aggressive atmosphere, grade 316 is recommended and is available on request. An even higher grade may be required for applications in highly corrosive environments including where exposure to seawater may be anticipated.

Clean with soap and warm water rinse and wipe dry. Gratings may also be cleaned in certain dishwashers.

Under no circumstances treat with metal scouring pads, metal scrapers or wire wool as these will contaminate surfaces leaving rust spots.

Nickel bronze – BS EN 1982

Used with satin finish for gratings, funnels and access covers.

A cast alloy with a fine grain effect which blends well with most floor finishes. The satin finish is generally maintained by the slight abrasive action of passing traffic. In unused areas the material will gradually tarnish. To restore lustre, apply a plain nylon scouring pad (not soap-filled) in the direction of the grain.

Note: Avoid covering nickel bronze items with plastic sheeting after installation, otherwise blackening may occur.

Polished bronze/gunmetal – BS EN 1982

Used for gratings, funnels and access covers.

Polished bronze is a cast alloy, suited for finished floors where the rich, bronze colour complements the decor, which is polished to a “mirror” finish. If left alone polished bronze will gradually tarnish. To restore lustre, use metal polish and buff with a cloth. The mirror finish must not be treated with any abrasive cleaning material otherwise the surface will be permanently scratched.

Unpolished gunmetal has a fine grain satin finish, which is generally maintained by the slight abrasive action of passing traffic. In unused areas the material will gradually tarnish. To restore lustre, apply a plain nylon scouring pad (not soap-filled) in the direction of the grain.

Ductile iron – BS EN 1563 + 1564

Used only for gratings.

A casting with the ductility of steel, yet with more than twice the tensile strength of cast iron. A zinc anti-corrosion coating is applied by sherardizing.

Cast iron – BS EN 1561

Used for bodies, membrane clamping collars, threaded pipework adaptors and accessories such as extensions.

A widely used metal in the drainage industry, its resistance to corrosion permits extended use under extreme conditions. Castings are coated with a high grade lacquer paint to provide internal and external surface coverage. Paint will gradually wear off and is replaceable; oxidation (surface rusting) is a natural process which does not weaken the material.

A zinc anti-corrosion coating is applied to certain castings by sherardizing.

Polypropylene

Used for the removable trap in stainless steel gullies.

Maximum continuous operating temperature of 100°C.

ABS

Used for bodies, dip tubes, extensions and threaded pipework adaptors.

A cost-effective, fire-resistant material, with a maximum continuous operating temperature of 75°C.

Nylon 6

Used for bottle trap, filter bucket and ‘SuperSeal’ plug.

Chosen for its toughness and durability; maximum continuous operating temperature of 180°C.

Neoprene

Used for gaskets and seals.

Maximum continuous operating temperature of 100°C.

Nitrile

Used for O-rings in ‘SuperSeal’ plug assemblies.

Maximum continuous operating temperature of 110°C.

Silicone rubber

Used for O-ring in removable bottle trap.

Maximum continuous operating temperature of 250°C.

ACCESS COVER

Removable, solid cover set in a frame at finished floor level to enable access to pipework or services without disturbing the floor finish; most versions are sealed.

ADAPTOR

Component used to connect one item to another.

APERTURES

Openings in a GRATING which may be holes or slots.

AUXILIARY INLET

See SIDE INLET

BACK INLET

See SIDE INLET

BACKWATER VALVE

Non-return valve fitted to a GRATING or BODY which prevents the flow of foul water back into a drained area.

BELL TRAP

TRAP with vertical inlet and outlet on the same axis.

BODY

Bowl-like part of a GULLY, fitted below or in the floor, on which the GRATING is generally fitted and to which pipework is connected; may be trapped or non-trapped.

BODY ASSEMBLY

Body with factory-fitted components.

BODY COLLAR

See MEMBRANE CLAMPING COLLAR

BUCKET

Removable receptacle fitted within a GULLY to intercept solids, debris etc.

CHANNEL GRATING

Long, narrow gratings fitted in a channel, or frame, to provide linear drainage.

CLAMP COLLAR/RING

See MEMBRANE CLAMPING COLLAR

CLAMPING DEVICE

See MEMBRANE CLAMPING COLLAR

CLEANOUT

See ACCESS COVER

COVER

See ACCESS COVER

DAMP-PROOF MEMBRANE (DPM)

Protective covering generally laid on top of a structural slab in a ground floor to prevent damp from entering the building. When a GULLY is fitted in such a floor, the membrane is dressed on the FLANGE, into the mouth of the BODY, and clamped with a MEMBRANE CLAMPING COLLAR to ensure a watertight joint.

DEEP SEAL

WATER SEAL of 75mm or more.

DIRECT CONNECTION

Version of BODY/GRATING/COVER, outlet of which is machined to enable direct connection to pipework.

EXTENSION

Accessory used to increase the effective height of a GRATING or COVER above a BODY.

FILTER BUCKET

See BUCKET

FFL

FINISHED FLOOR level.

FINISHED FLOOR

Floor covered with asphalt, carpet, ceramic tiles, flexible sheet, marble, paviers, resin, terrazzo, vinyl, or wood etc.

FLANGE

Part of the BODY leading to the mouth, over which the DAMP-PROOF MEMBRANE is laid.

FLEXIBLE SHEET

Flexible watertight finished layer for floors, affixed to the FLANGE by means of a CLAMPING COLLAR; requires GRATINGS and COVERS to suit.

FLOOR DRAIN

See GULLY

FLOW RATE

Maximum amount of liquid (litres/sec.) that can be drained, at a given head of water. See page 2 Design Considerations.

FRAME

Support for a GRATING or COVER which is connected to a BODY either directly or by means of a MEMBRANE CLAMPING COLLAR.

FUNNEL

Accessory to receive waste pipes, condensate lines or discharges from sinks, refrigeration units, boiling pans etc.

GRATE

See GRATING

GRATING

Removable component of a GULLY fitted at floor level; upper surface contains APERTURES to receive waste water; generally fitted in a FRAME; most versions are HEIGHT ADJUSTABLE (VARI-LEVEL or MULTI-LEVEL) and can be increased in height by means of an EXTENSION; versions available for DIRECT CONNECTION to pipework.

GRATING FREE AREA

Area of APERTURES in a GRATING, expressed in cm².

GULLY

Discharge fitting, the top of which is a GRATING or COVER, capable of installation at floor level, intended to receive waste water either through APERTURES in a GRATING and/or from pipes connected to the BODY of the gully, may be trapped or non-trapped.

HEAD OF WATER

Height of water above the GRATING, used to determine FLOW RATE.

HEIGHT ADJUSTABILITY

Facility to adjust the height of a GRATING or COVER above the FLANGE to suit floor level.

Glossary

I.D.

Internal diameter.

K3

LOAD RATING class, see page 2 for details.

L15

LOAD RATING class, see page 2 for details.

LOAD RATING

Capability to withstand loads, expressed in classes, or N/mm². (see page 2 for details).

M125

LOAD RATING class, see page 2 for details.

MEMBRANE CLAMPING COLLAR

Used to clamp a DAMP-PROOF MEMBRANE to a BODY; supplied with some series as part of the BODY, but on others it is an option. (See Section 5C for Vari-Level versions).

M.J.

Mechanical joint.

MULTI-LEVEL

Range of gullies in which the height of a GRATING may be adjusted to suit floor level, using a 'peg and cam' principle.

O.D.

Outside diameter.

OUTLET

Part of BODY through which waste water is discharged into connecting pipework.

'P' TRAP

TRAP with a vertical inlet, and an OUTLET inclined slightly below the horizontal.

PLANT ROOM

Part of premises housing machinery and/or services.

PLANTING AREAS

Gardens, shrubberies etc., may be located on a roof.

'Q' TRAP

TRAP with a vertical inlet, and an outlet inclined at 45° below the horizontal.

RAISING PIECE

See EXTENSION

RODDING EYE/POINT

See ACCESS COVER

'S' TRAP

TRAP with a vertical inlet and an offset outlet parallel to it.

SEAL

See WATER SEAL

SIDE INLET

Permits the underfloor connection of other fixtures (sinks, wash basins etc) into a GULLY.

STRAINER

Meshed accessory used to intercept debris. (term is sometimes used by others to denote GRATING).

STREAMLINE (GRATINGS)

Stainless steel (304) reverse wedge profile with 5mm slot width. Grade 316 available to order.

SUMP

Bowl of BODY; large sump enables sudden surges of waste water to be retained, thereby controlling flow through the GULLY.

SUPERSEAL

Range of quick-release, double-sealed ACCESS COVERS.

THREAD

Four standard types are used in Wade GULLIES:

BSP (British Standard Pipe) – outlet thread of a BODY, connection to SIDE INLET;

BSPT (British Standard Pipe, Tapered) – thread on screw-in THREADED PIPEWORK ADAPTORS;

NPSM (National Pipe Straight Mechanical) – thread on GRATINGS allowing easy height adjustment when installed with BODY, MEMBRANE CLAMPING COLLAR, or ADAPTOR;

Metric-I.S.O. – thread used for all fixing screws, studs etc.

THREADED PIPEWORK ADAPTOR

Converts threaded outlet BODY to a spigot outlet allowing connection to pipework using a proprietary coupling.

TRAP

Removable or integral part of a BODY which prevents, by means of a WATER SEAL, the passage of foul air from the outlet to the inlet.

TRAP SEAL

See WATER SEAL

TUNDISH

See FUNNEL

UNFINISHED FLOOR

Generally, bare concrete.

UNI-LEVEL

Range of gullies with non-height ADJUSTABLE grating.

VARI-LEVEL

Range of gullies comprising various BODIES which accept various GRATINGS and COVERS which are HEIGHT ADJUSTABLE with a fine thread to enable accurate installation at FINISHED FLOOR LEVEL.

VINYL

A form of flexible sheet flooring; requires GRATINGS and COVERS to suit.

WATER SEAL

Effective height of water (min. 50mm) in a trap which prevents the passage of foul air.

WEEPHOLES

(Optional) holes located in a MEMBRANE CLAMPING COLLAR or a BODY which provide supplementary drainage at membrane level.

Spec. Code index

Spec. Code	Page
B5	5B ntc1 3
C2, 3	5B ntc1 1
C5	5B ntc1 2
C.C - C.J2	5C 2
D2, 4	5B ntc1 2
D6-8	5B ntc1 3
D10-12	5B ntcibm
E2, 4	8.2
F2-3	8.3
G1-3	5B tci 1
G5, 6	5B tci 2
G10	5B tci 2
GC	5B tci 4
GD	5B tci 5
GP	5B TP
GV5	11SF 2
GV6	11SF 3
H1-2	5B tci 3
J2	5B tci 3
K1807	5G ss 1
K1897	6G ss 1
K1941	6G nb 1
K2041	6G nb 1
K2101-2103	5G nb 1
K2103 CI	5G ci
K2107	5G ss 1
K2142	6G nb 1
K2191-2193	6G nb 1
K2193 CI	6G ci
K2197	6G ss 1
K2201	5G nb 1
K2291	6G nb 1
K2301-2303	5G nb 1
K2307	5G ss 1
K2392	6G nb sf
K2397	6G ss 1
K2401	5G nb 1
K2407	5G ss 1
K2491	6G nb 1
K2497	6G ss 1
K2501	5G ci
K2591	6G ci
K2601	5G nb 1
K2691	6G nb 2
K2701	5G nb 1
K2791	6G nb 2
K2801	5G ss 1
K2891	6G ss 1
K2901	5G ss 3
K2941-2991	6G ss 4
K3101	5G nb 1
K3191	6G nb 1
K32	11o
K3301-3302	5G nb 1
K3391	6G nb 2
K3401	5G nb1
K3402	5G nb 1
K3407	5G ss 1
K3491-3492	6G nb 2

Spec. Code	Page
K3497	6G ss 1
K3504	5G ss 3
K3604	5G ss 3
K3594	6G ss 4
K3694	6G ss 4
K5101-5103	5V nb
K5107	5V ss
K5192	6V nb sf
K5197	6V ss
K5201-5203	5V nb
K5207	5V ss
K5241	6V nb 1
K5291-5293	6V nb 1
K5297	6V ss
K5301	5V nb
K5307	5V ss
K5391	6V nb 1
K5397	6V ss
K5401	5V nb
K5491	6V nb 1
K5501	5V nb
K5507	5V ss
K5591	6V nb 1
K5597	6V ss
K5601	5V nb
K5607	5V ss
K5697	6V ss
K5701	5V nb
K5791	6V nb 1
K5801	5V ci
K5891	6V ci
L1941	6G nb 3
L2041	6G nb 3
L2101-2104	5G nb 2
L2105-2106	5G ss 2
L2141	6G nb 3
L2191-2194	6G nb 3
L2196	6G ss 2
L2201-2202	5G nb 2
L2241	6G nb 3
L2291-2292	6G nb 3
L2301	5G nb 2
L2391	6G nb 3
L2402-2409	5G nb 2
L2442-2499	6G nb 4
L2501	5G nb 2
L2501 CI	5G ci
L2591	6G nb 3
L2591 CI	6G ci
L2601	5G ci
L2691	6G ci
L2701	5G ss 2
L2791	6G ss 3
L2801	5G nb 1
L2803	5G nb 1
L2891	6G nb 2
L2893	6G nb 2
L2901-2902	5G ss 2
L2991-2992	6G ss

Spec. Code	Page
L3001	5G nb 2
L3091	6G nb 3
L3101-3102	5G ss 2
L3191-3192	6G ss 2
L3201-3202	5G ss 2
L3291-3292	6G ss 2
L3301-3302	5G ss 2
L3391-3392	6G ss 2
L3401-3402	5G ss 2
L3491-3492	6G ss 2
L3501-3502	5G ss 3
L3591-3592	6G ss 3
L3601-3602	5G ss 2
L3691-3692	6G ss 3
L3701-3702	5G ss 2
L3791-3792	6G ss 3
L3801-3802	5G ss 2
L3891-3892	6G ss 3
L3901-3902	5G ss 2
L3991-3992	6G ss 3
L5101	5V nb
L5103	5V nb
L5191	6V nb 1
L5193	6V nb 1
L5201	5V nb
L5291	6V nb 1
L5301	5G nb 2
L5391	6G nb 3
L5305-5308	5G ss 2
L5395-5398	6G ss 3
L5401	5G nb 2
L5491	6G nb 3
L5501	5V nb
L5507	5V ss
L5591	6V nb 1
L5597	6V ss
L5601	5V nb
L5691	6V nb 1
L5701	5V ci
L5791	6V ci
L5807	5V ss
L5897	6V ss
M1	8.1
M3, 4	8.2
N1	6G nb sf
N211	6G nb sf
N212	6V nb sf
N213	6G nb sf
N214	6V nb sf
N215	6G nb sf
N216	6V nb sf
N217	6G nb sf
N218	6V nb sf
N301	6G nb sf
N302	6V nb sf
N303	6G nb sf
N304	6V nb sf
N305	6G nb sf
N306	6V nb sf

Spec. Code	Page
N404	6V nb sf
N405	6G nb sf
N409	6V nb sf
N410	6G nb sf
P3	11M 1
P4	11M 2
P5	11M 1
P8-10	11P
P14	11S
Q1, 3-5	11L 1
Q6, 8	11L 2
Q9	11HD 1
Q10	4B 2
Q10V	4B 2
Q12, 13	4B 2
Q12V, 13V	4B 2
Q14	4B 2
Q14V	4B 2
Q23	4B 1
Q23V	4B 1
Q24	4B 1
Q24V	4B 1
Q27	4B 1
Q27V	4B 1
Q28	4B 1
Q28V	4B 1
Q42-93	4G
QB1-2	5B ntss
QG1-2	5B tss
R3-6, 8	11V
RS2	11SF 1
SD102-304	5B ntcis
SD402-604	5B ntcis 2
T1-6	10
T7-9	5X 2
T11, 12	10
T13, 14	5X 2
T15-18	10
TP7	5X 2
U1-2	5X 2
U3	8.1
U4	8.2
U5, 6, 7	5X 1
U9	5X 3
U11	5X 2
U12	5X 1
U13	5X 3
U14	5X 1
U15-16	5X 3
U18	5X 3
UP1	5X 2
UP7	5X 1
UX9	5X 1
WB3	7.1
WB5	7.2
WD2-5	8.4
WD6-7	8.5
WG3, 5	8.4, 8.5
YA	WP

About Wade

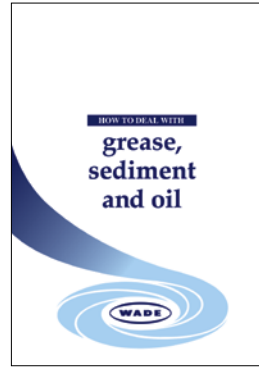
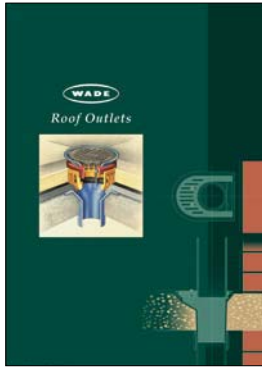
Visit our website for online versions of our product catalogue, price list, conditions of sale, news, job opportunities, Wade-CAD, Wade-BIM and PDF format technical handbooks.

Wade-CAD is for users who require drawings of Wade products; files are in both DXF and AutoCAD DWG format.

Wade-BIM is our library of BIM 3D models available for a range of products in Revit format.



Other Wade literature



Service

Product information and technical advice are available from the Wade Technical Services Department at Halstead, Essex, from Wade Technical Consultants located throughout the UK and from selected distributors throughout the world. A computer-aided design service is available free of charge for layouts and assemblies of Wade products.

Warranty

The Company warrants its products to be free from defects in material and workmanship for a period of 12 months from the date of delivery.

The Company's obligation under this warranty is limited, at its option, to the repair or replacement, free of charge, or refund of the net invoiced price of any part found to be defective, and which, in the Company's opinion, has not been subject to undue wear and tear, accident, alteration, abuse or misuse. Consequential damages are expressly disclaimed.

Technical advice from Wade International Limited, whether verbal, in writing or by way of trials, is given in good faith but without warranty. The application, use and installation of the Company's products are beyond the control of the Company, and the purchaser is solely responsible for ensuring that goods are fit for any particular purpose.

In line with the Company's policy of continual research and development, product specifications and availability are subject to change or withdrawal without prior notice.

Dimensions

In line with general practice all dimensions shown are nominal. Dimensions are generally given in mm (other units are specified).

Quality assurance

Certification of compliance with BS EN ISO 9001 underlines our commitment to quality and service.



QUALITY BY TRADITION



PERFORMANCE BY DESIGN

Wade International Ltd.
Third Avenue • HALSTEAD
Essex • CO9 2SX • UK

Telephone: +44(0)1787 475151 • Facsimile: +44(0)1787 475579

e-mail: sales@wadeint.co.uk • web site: www.wadeint.co.uk